



Specifications

Receptacle Shell	Nickel-plated brass
Connector Insert	Nylon
Contacts	Machined brass with gold over nickel plating
Wire insulation	Oil resistant PVC, 22AWG stranded copper, 300V
Temperature	-20°C to +105°C (-4°F to +221°F)

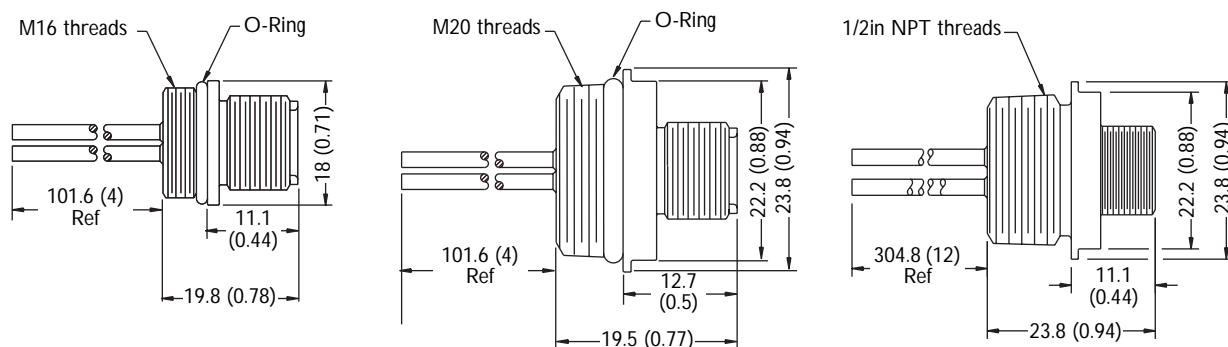
Features

- Male bulkhead receptacles
- 6-pin configuration
- M16, M20 or 1/2in -14NPT mounting threads

Product Selection

Face View of Male	Wire Colour	Wire Rating	Length—m (ft)	Panel Mount Threads	Drawing	Catalogue Number
	1 Red/White Tr	22AWG 300V 3A	0.1 (0.3)	M16 x 1	A	888R-M6AC9-4N
	2 Red			M20 x 1.5	B	888R-M6AC8-4N
	3 Green		1/2in-14NPT	C	888R-M6AC1-1F	
	4 Red/Yellow Tr		0.3 (1)			
	5 Red/Black Tr					
	6 Red/Blue Tr					

Approximate Dimensions—mm (inch)



Dimensions are approximate. Illustrations are not drawn to scale.