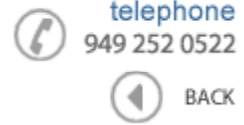




Data Sheet



Product Category: IF SAW Filter

Part Number	Package	Application	Last Modified
820-IF160.0M-F	20.2 x 12.6 Thru Hole	Base Station & Repeater	Jan. 01, 2007

TYPE :

160.0 MHz Bandpass Filter

1.5 MHz Bandwidth

PART NUMBER :

820-IF160.0M-F

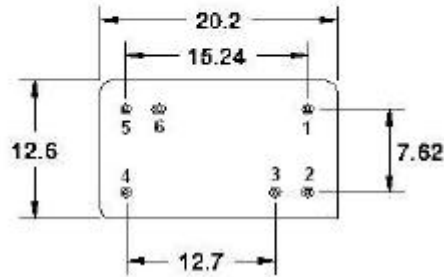
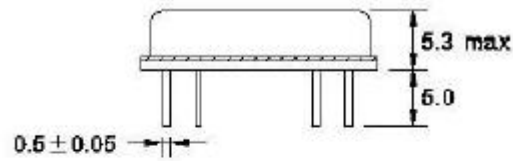


OPERATING CONDITIONS / ELECTRICAL CHARACTERISTICS

PARAMETERS	Minimum	Typical	Maximum	Units
Center Frequency (Fo)	159.95	160.00	160.05	MHz
Insertion Loss at Fo	-	19.0	22.0	dB
Source Impedance (single ended)*	-	50	-	ohm
Load Impedance (single ended)*	-	50	-	ohm
1.5dB Bandwidth	1.26	1.35	-	MHz
3.0dB Bandwidth	1.40	1.50	-	MHz
35.0dB Bandwidth	-	2.25	2.40	MHz
50.0dB Bandwidth	-	2.38	2.50	MHz
Passband Ripple Fo +/- 0.5 MHz	-	0.6	1.0	dBp-p
Group Delay Variation Fo +/- 0.63 MHz	-	180	300	nsec
Absolute Delay	-	2.5	-	µsec
Rejection 162 ~167 MHz	50	55	-	dB
Ultimate Rejection Fo-9.0~Fo-2.0MHz	50	55	-	dB
Ultimate Rejection Fo+2.0~Fo+9.0MHz	50	55	-	dB
Maximum DC Voltage	-	-	10	V
Maximum Input Power	-	-	10	dBm
Operating Temperature Range	-40	-	+85	°C
Storage Temperature Range	-60	-	+85	°C

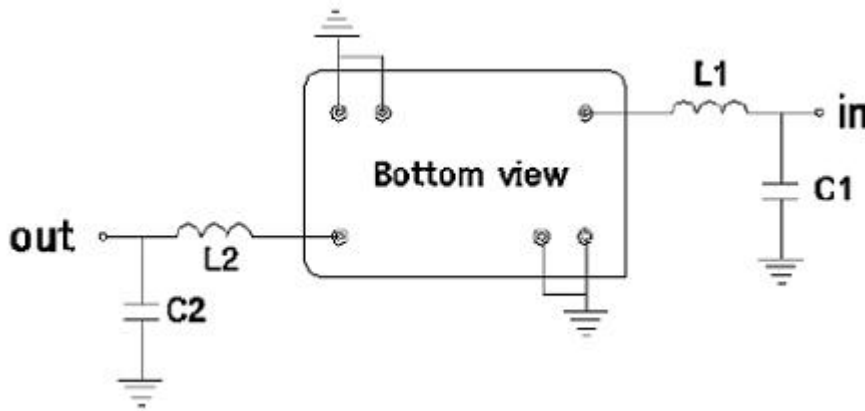
*With Matching Network (Ref. Testing Environment Circuit as shown below)

PACKAGE OUTLINE (mm)



PIN DESCRIPTIONS: IN - 2, OUT - 4, GROUND -1,3,5,6

TEST CIRCUIT



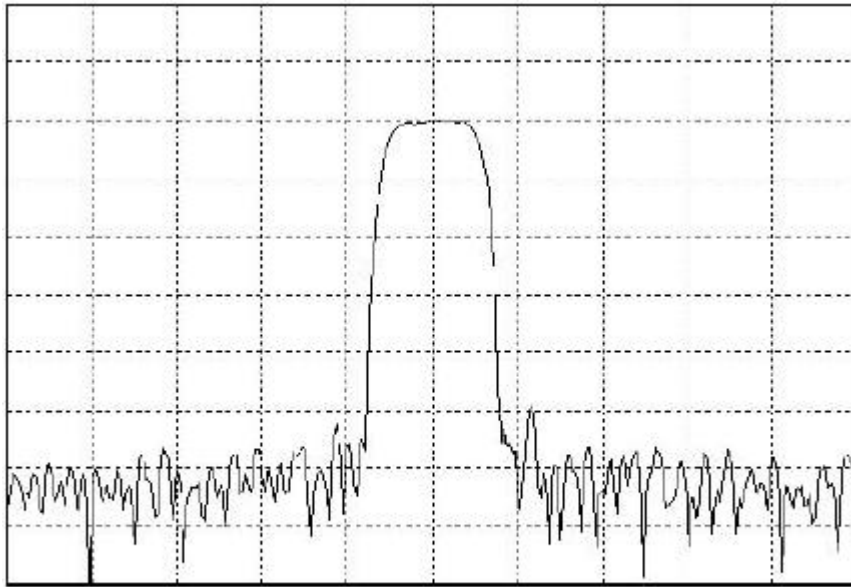
TEST FIXTURE AND VALUES/SOURCE AND LOAD IMPEDANCE 50 ohm

INPUT: L1: 56 nH; C1: 30 pF

OUTPUT: L2: 56 nH; C2: 15 pF

COMPONENT VALUES MAY VARY DUE TO PCB PARASITICS

FREQUENCY RESPONSE



Horizontal : 1.5 MHz

Vertical : 10dB/Div

Oscilent Corporation - CALL **949.252.0522**

Part No.: 820-IF160.0M-F

18195 East McDermott Street . Building D . Irvine . CA 92614 . USA
Fax: 949.252.0599 . E-Mail: Sales@Oscilent.com