

IEC Appliance Outlet D, Snap-in Mounting, Front Side, Solder Terminal



D

 70 °C

**Description**

- Panel Mount:
Snap-in version,
- Connector, Pin temperature 70 °C, Protection class II
- Solder terminal

Approvals

- VDE License Number: 40011945
- CSA License Number: 27324

References

[General Product Information](#)

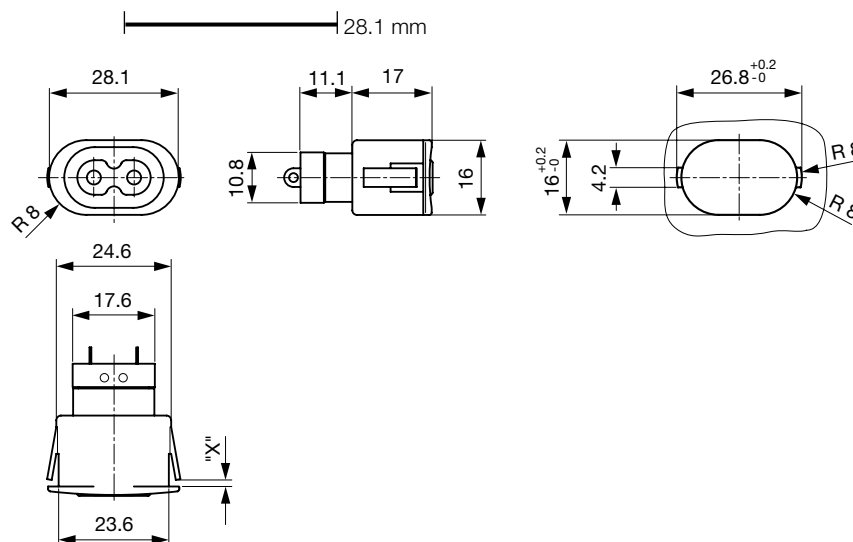
Weblinks

[Approvals](#), [RoHS](#), [CHINA-RoHS](#), [Mating Connectors](#), [e-Store](#), [Distributor-Stock-Check](#), [Accessories](#)

Technical Data

Ratings IEC	2.5 A / 250 VAC; 50 Hz
Ratings UL/CSA	2.5 A / 250 VAC; 60 Hz
Dielectric Strength	> 4 kVAC between L-N > 2 kVAC between L/N-PE (1 min/50 Hz)
Allowable Operation Temp.	-25 °C to 70 °C
Degree of Protection	from front side IP 20 acc. to IEC 60529
Protection Class	Suitable for appliances with protection class 2 acc. to IEC 61140
Panel Thickness s	Snap-in version 1.4 mm
Material: Housing	UL 94V-0

Appliance Outlet	D acc. to IEC/EN 60320-2-2 UL 498, CSA C22.2 no. 42 (for cold conditions) pin-temperature 70 °C, 2.5 A, Protection Class 2
------------------	---

Dimensions

length of the terminal please find at the order code configuration table

Config. Code

Product Configurator


5083 - H - A B C 0 - D - E G

The characters are placeholders for the correspondingly keys of selections from the key tables.

5083 - H - A B C 0 - D - E G = Type

Type	Configuration key
protection class 2	B

5083 - H - A B C 0 - D - E G = Terminals

Terminal L	Configuration key
solder terminal 	1

5083 - H - A B C 0 - D - E G = Terminals

Terminal N	Configuration key
solder terminal	1

Symbols similar as in table A

5083 - H - A B C 0 - D - E G = Terminals

Terminal Ground	Configuration key
without terminal	0

Symbols similar as in table A

5083 - H - A B C 0 - D - E G = Color

Color	Configuration key
jet black; RAL9005	A
silver grey; RAL7001	B
pure white; RAL9010	D
standard color: black	

5083 - H - A B C 0 - D - E G = Style

Style	Configuration key
snap-in (x=panel thickness)	4

5083 - H - A B C 0 - D - E G = Dimension X

Dimension "X"	Configuration key
14	

The dimension "X" is displayed in (1/10 mm). This information is also valid for the order code

Variants

Config. Code	Description	Order Number
5083-X-1100-A-414	5083, IEC Appliance Outlet D, 70°C, version: 2, L: solder terminal, N: solder terminal, ground: without terminal, color: jet black; RAL9005, design: snap-in (x=panel thickness), dimension X: 14	6180.0003

The listed variants should be available from stock Other versions on request www.schurter.com/contact

Packaging unit 100 Pcs

Mating Inlets/Plugs

Category / Description



[Interconnection Cord Overview complete](#)

Interconnection Cord with IEC Plug C, Angled	2712
Interconnection Cord with IEC Plug C, Straight	2730
Interconnection Cord with IEC Plug C, Straight	2731
Interconnection Cord further types to 5083	