

1N5418

SINTERED GLASS JUNCTION FAST AVALANCHE RECTIFIER

VOLTAGE: 600V

CURRENT: 3.0A

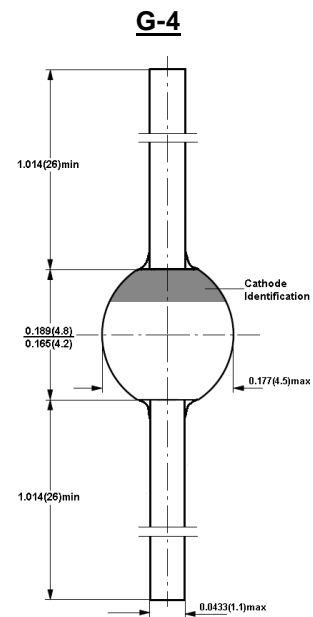


FEATURE

Glass passivated
Hermetically sealed package
Low reverse current
Soft recovery characteristics

MECHANICAL DATA

Case: G-4 sintered glass case
Terminal: Plated axial leads solderable per MIL-STD 202E, method 208C
Polarity: color band denotes cathode end
Mounting position: any



Dimensions in inches and (millimeters)

MAXIMUM RATINGS AND ELECTRICAL CHARACTERISTICS

(single-phase, half-wave, 60HZ, resistive or inductive load rating at 25°C, unless otherwise stated)

	SYMBOL	1N5418	units
Maximum Recurrent Peak Reverse Voltage	V_{RRM}	400	V
Maximum RMS Voltage	V_{RMS}	280	V
Maximum DC blocking Voltage	V_{DC}	400	V
Maximum Reverse Breakdown Voltage $I_R=50\mu A$	V_{BR}	440	V
Maximum Average Forward Rectified Current 3/8"lead length at $T_a=55^\circ C$	I_{FAV}	3.0	A
Peak Forward Surge Current 8.3ms single half sine-wave superimposed on rated load	I_{FSM}	100	A
Maximum Forward Voltage at Forward Current 9.0A and 25°C	V_F	1.5	V
Maximum DC Reverse Current $T_a=25^\circ C$ at rated DC blocking voltage $T_a=100^\circ C$	I_R	1.0 20.0	μA
Maximum Reverse Recovery Time (Note 1)	T_{rr}	150	nS
Typical Thermal Resistance (Note 2)	$R_{th(ja)}$	20.0	$^\circ C / W$
Storage and Operating Junction Temperature	T_{stg}, T_j	-65 to +175	$^\circ C$

Note:

1. Reverse Recovery Condition $I_f=0.5A, I_r=1.0A, I_{rr}=0.25A$
2. Thermal Resistance from Junction to Ambient at 3/8"lead length, P.C. Board Mounted

RATINGS AND CHARACTERISTIC CURVES 1N5418

