

Coaxial

Power Splitter/Combiner

ZFSC-2-6-75

2 Way-0° 75Ω 0.004 to 60 MHz



BNC version shown
CASE STYLE: K18

Maximum Ratings

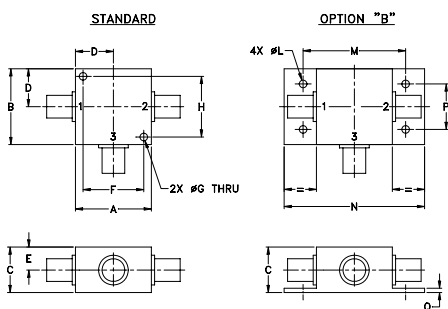
Operating Temperature	-55°C to 100°C
Storage Temperature	-55°C to 100°C
Power Input (as a splitter)	1W max.*
Internal Dissipation	0.125W max.

* At low range frequency band (f_L to $10 f_L$), linearly derate maximum input power by 13 dB typ.

Coaxial Connections

SUM PORT	3
PORT 1	1
PORT 2	2

Outline Drawing



Outline Dimensions (inch/mm)

A	B	C	D	E	F	G	H	J	K	L	M	N	P	Q	wt
1.25	1.25	.75	.63	.38	1.00	.125	1.000	--	--	.125	1.688	2.18	.75	.07	grams
31.75	31.75	19.05	16.00	9.65	25.40	3.18	25.40	--	--	3.18	42.88	55.37	19.05	1.78	70.0

Features

- low insertion loss, 0.4 dB typ.
- high isolation, 35 dB typ.
- rugged shielded case

Applications

- HF/VHF
- amateur radio
- instrumentation

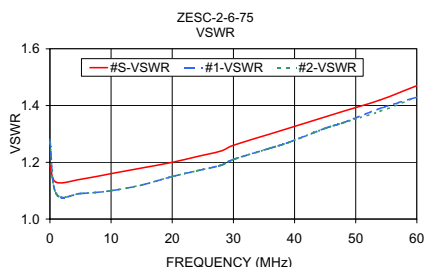
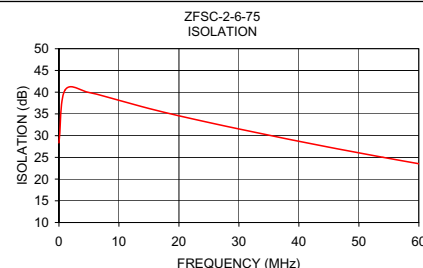
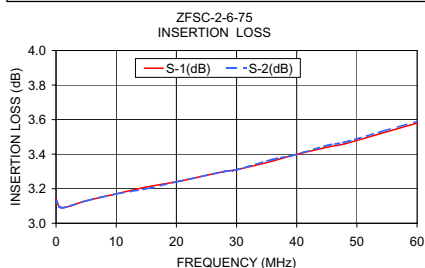
Electrical Specifications

FREQ. RANGE (MHz)	ISOLATION (dB)			INSERTION LOSS (dB) ABOVE 3.0 dB			PHASE UNBALANCE (Degrees)			AMPLITUDE UNBALANCE (dB)								
	L	M	U	L	M	U	L	M	U	L	M	U						
f_L - f_U	Typ. Min.	Typ. Min.	Typ. Min.	Typ. Max.	Typ. Max.	Typ. Max.	Max.	Max.	Max.	Max.	Max.	Max.						
0.004-60	30	20	35	20	25	20	0.5	0.8	0.4	0.8	0.7	1.0	1	2	3	0.15	0.2	0.3

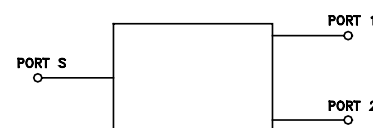
L = low range [f_L to $10 f_L$] M = mid range [$10 f_L$ to $f_U/2$] U = upper range [$f_U/2$ to f_U]

Typical Performance Data

Frequency (MHz)	Insertion Loss (dB)		Amplitude Unbalance (dB)	Isolation (dB)	Phase Unbalance (deg.)	VSWR S	VSWR 1	VSWR 2
	S-1	S-2						
0.004	3.14	3.13	0.01	28.34	0.09	1.19	1.28	1.27
1.000	3.09	3.09	0.00	40.45	0.00	1.13	1.09	1.09
5.000	3.13	3.13	0.00	39.93	0.02	1.14	1.09	1.09
10.000	3.17	3.17	0.00	38.14	0.04	1.16	1.10	1.10
15.000	3.21	3.20	0.00	36.25	0.05	1.18	1.12	1.12
20.000	3.24	3.24	0.00	34.56	0.05	1.20	1.15	1.15
24.000	3.27	3.27	0.00	33.32	0.05	1.22	1.17	1.17
28.000	3.30	3.30	0.00	32.12	0.06	1.24	1.19	1.19
30.000	3.31	3.31	0.00	31.53	0.05	1.26	1.21	1.21
36.000	3.36	3.37	0.00	29.82	0.06	1.30	1.25	1.25
39.000	3.39	3.39	0.00	28.97	0.06	1.32	1.27	1.27
45.000	3.44	3.45	0.01	27.34	0.07	1.36	1.32	1.32
48.000	3.46	3.47	0.01	26.55	0.07	1.38	1.34	1.34
54.000	3.52	3.53	0.01	25.01	0.08	1.42	1.39	1.38
60.000	3.58	3.59	0.02	23.54	0.09	1.47	1.43	1.43



electrical schematic



Mini-Circuits®
ISO 9001 ISO 14001 CERTIFIED

ALL NEW
minicircuits.com

P.O. Box 350166, Brooklyn, New York 11235-0003 (718) 934-4500 Fax (718) 332-4661 For detailed performance specs & shopping online see Mini-Circuits web site



The Design Engineers Search Engine Provides ACTUAL Data Instantly From MINI-CIRCUITS At: www.minicircuits.com

RF/IF MICROWAVE COMPONENTS

REV. OR
M94482
ZFSC-2-6-75
HY/TD/CP
080310