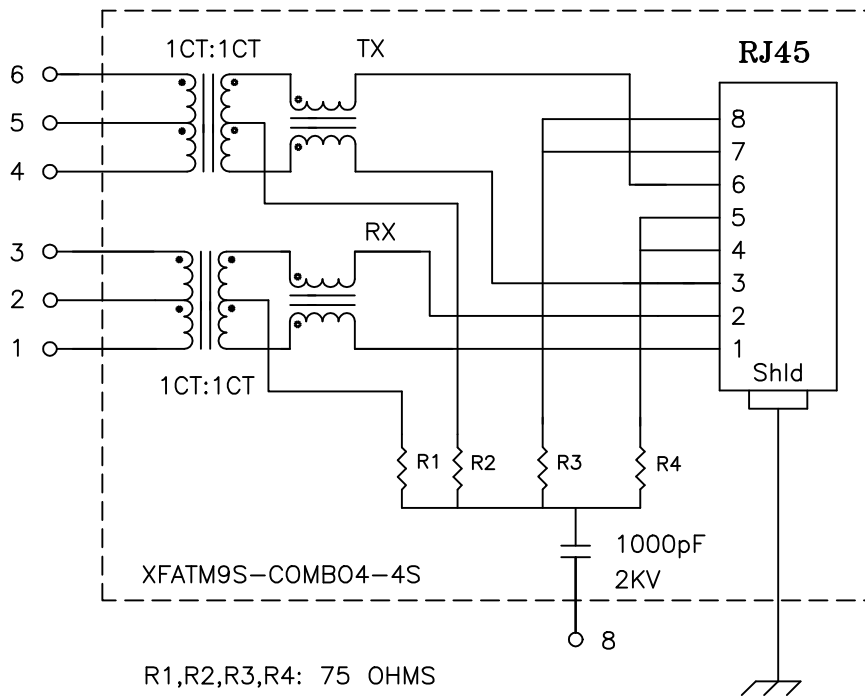


## Schematic:



## Electrical Specifications: @25°C

Isolation Voltage: 1500 Vrms (Input to Output)  
 Isolation Voltage: 500 Vrms (P1+2+3 to P4+5+6)  
 Turns Ratio: TX 1CT:1CT  $\pm 3\%$  RX 1CT:1CT  $\pm 3\%$   
 CABLE SIDE OCL: 350uH Minimum @100KHz 100mV 8mADC  
 Cw/w: 12pF Typical @100KHz 100mV  
 Cable Side Leakage Inductance: 0.4uH Max @1MHz Short Secs  
 DCR: 0.90 Ohms Maximum Each Wdg.  
 Insertion Loss (300KHz-100MHz): 1.0dB Maximum  
 Return Loss: @30MHz 18dB Minimum  
                   @80MHz 12dB Minimum

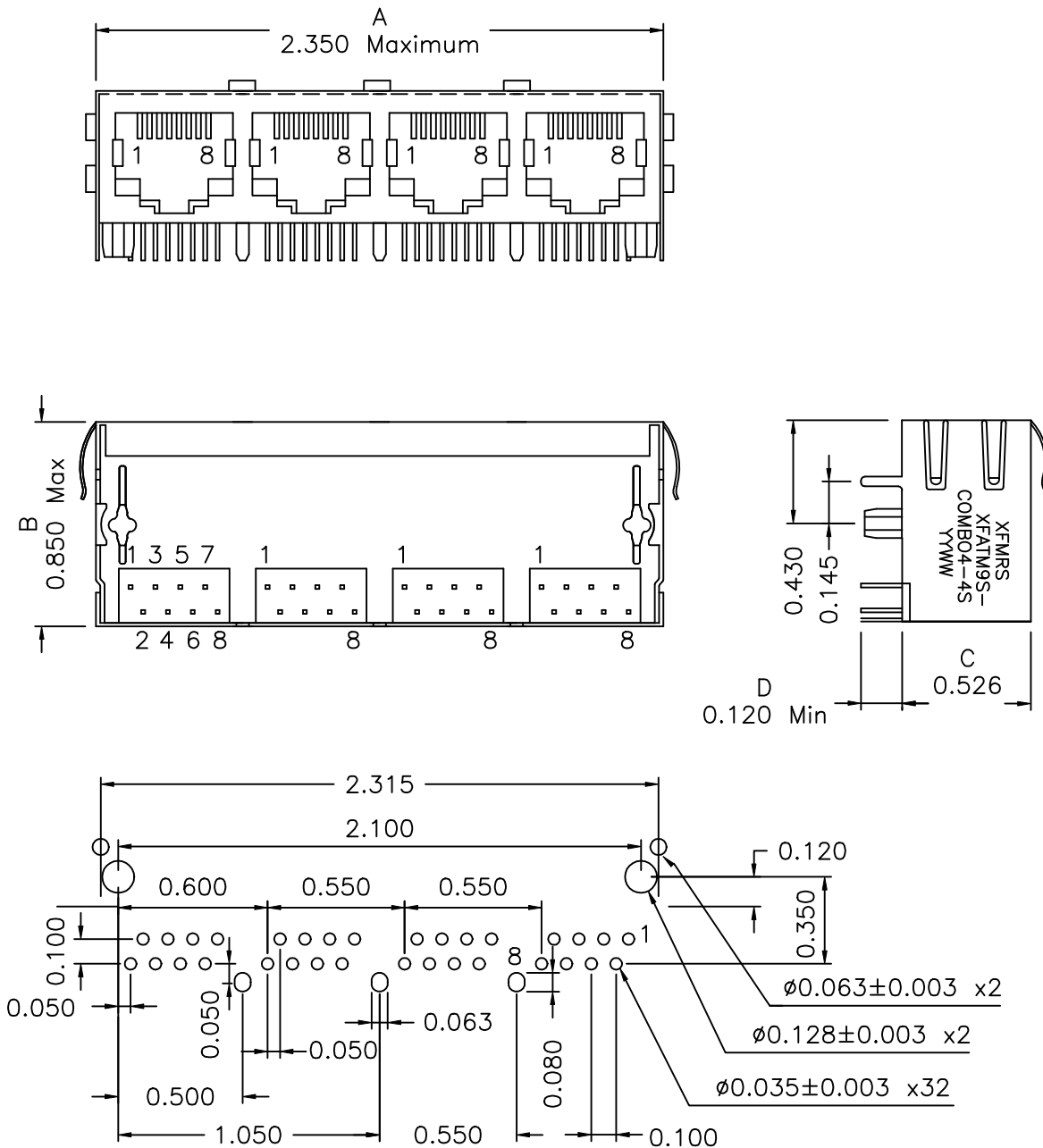
### Notes:

1. Solderability: Leads shall meet MIL-STD-202, Method 208D for solderability.
2. Flammability: UL94V-0
3. ASTM oxygen index: > 28%
4. Insulation System: Class F 155°C. UL file E151556
5. Operating Temperature Range: All listed parameters are to be within tolerance from -40°C to +85°C
6. Storage Temperature Range: -55°C to +125°C
7. Aqueous wash compatible

DOC. REV: A/1

<b>XFMRs Inc.</b>	Title: <b>QUAD PORT COMBO</b>		
	UNLESS OTHERWISE SPECIFIED		P/N: XFATM9S-COMBO4-4S REV. A
TOLERANCES: .xxx $\pm 0.010$	DWN.	刘鹏	May-19-03
Dimensions in Inch	CHK.	李小锋	May-19-03
SHEET 1 OF 2	APP.	BW	May-19-03

# Mechanical Dimensions: (FOR COMB04-4MS)



SUGGESTED MOUNTING PATTERN

<b>XFMRs Inc.</b>	Title: Mechanical Dimensions For COMB04-4S Series		
	UNLESS OTHERWISE SPECIFIED TOLERANCES: .xxx ±0.010 Dimensions in Inch	P/N: XFATM9S-COMB04-4S	REV. A
DOC. REV: A/1 SHEET 2 OF 2	DWN.	刘鹏	May-19-03
	CHK.	李小锋	May-19-03
	APP.	BW	May-19-03