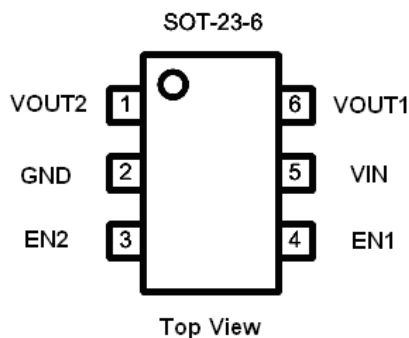


## Description

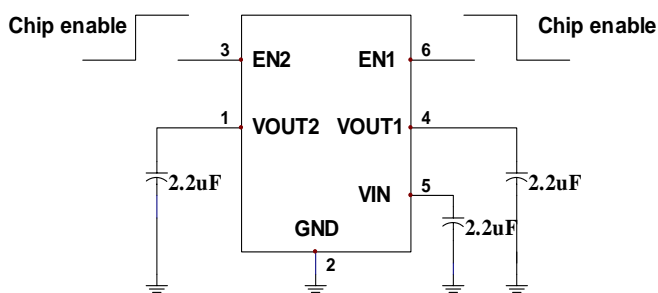
SE5221 is a dual-channel low dropout regulator supplying up to 200mA at each channel. The output voltages are selectable between 2.8V/3.3V for Channel-1 and 1.3V/1.8V for Channel-2 with 3% accuracy.

The SE5221 uses internal PMOS transistors as the pass devices to regulate the output voltages. The IC consumes 120µA supply current when both channels are turned on, and is nearly independent of load currents and dropout conditions. The EN1 and EN2 pins allows for individual channel controls. When both outputs are shut down simultaneously, the chip will be turned off and consumes nearly zero operating current which is suitable for battery-power devices. Other features include a current limiting, and over temperature protection.

## Pin Configuration



## Application Diagram



## Features

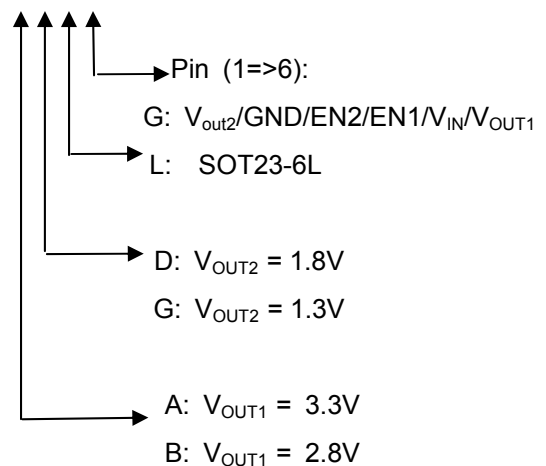
- Typical 256mV Dropout Voltage at 200mA
- Up to 200mA Output Current (Each Channel)
- Low Ground Current at 120uA (Typ.)
- Dual Shutdown Pins to Control Each Output
- Current Limiting and Thermal Protection
- Two LDOs in SOT-23-6L Package
- 100% Lead (Pb)-Free

## Application

- Cellular Phones.
- Laptop, Notebook, and Palmtop Computers.
- Battery-Powered Equipments.
- Hand-held Equipments.
- Wireless LAN Devices.

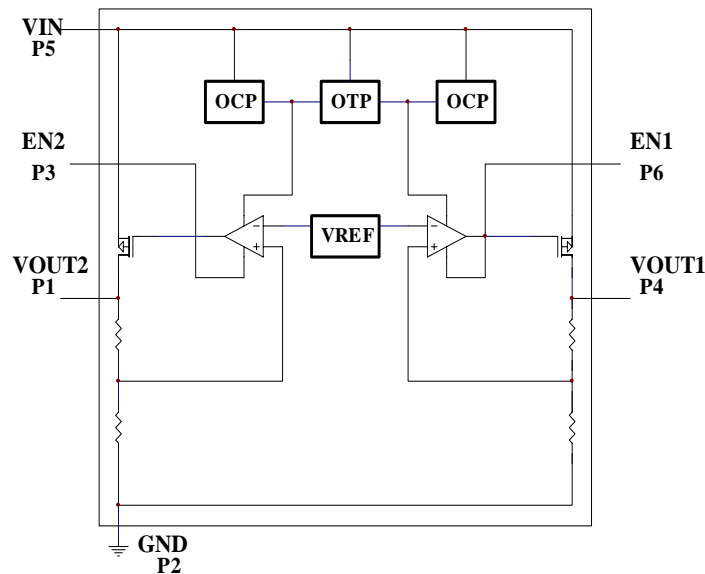
## Ordering Information

SE5221 \_\_ \_ L G





**Block Diagram**



**Functional Pin Description**

Pin No.	Pin Name	Pin Function
1	VOUT2	Channel 2 Output Voltage
2	GND	Common Ground
3	EN2	Chip Enable (Active High)
4	EN1	Chip Enable (Active High)
5	VIN	Supply Input
6	VOU1	Channel 1 Output Voltage

**Ordering/Marking Information**

Package	Ordering Information	Marking Information
<p>SOT-23-6 Top View</p>	Vout1=3.3V Vout2=1.8V	SE5221ADLG-LF    21ADLz <sup>•</sup>
	Vout1=2.8V Vout2=1.8V	SE5221BDLG-LF    21BDLz <sup>•</sup>
	Vout1=3.3V Vout2=1.3V	SE5221AGLG-LF    21AGLz <sup>•</sup>
	Vout1=2.8V Vout2=1.3V	SE5221BGLG-LF    21BGLz <sup>•</sup>
		<p>The last character is the batch number. A dot on top right corner is for lead-free process.</p> <p>LF: lead free.</p>



**Absolute Maximum Rating <sup>(1)</sup>**

Parameter	Symbol	Value	Units
Input Voltage	V <sub>IN</sub>	6	V
Enable Voltage	V <sub>EN</sub>	-0.3 to V <sub>IN</sub>	V
Power Dissipation	P <sub>D</sub>	Internally Limited <sup>(3)</sup>	
Thermal Resistance Junction-to-Ambient	Θ <sub>JA</sub>	230 (SOT-23-6)	°C/W
Lead Temperature (Soldering, 5 sec.)		260	°C
Junction Temperature	T <sub>J</sub>	+150	°C
Storage Temperature	T <sub>S</sub>	-40 to +150	°C

**Operating Rating <sup>(2)</sup>**

Parameter	Symbol	Value	Units
Supply Input Voltage	V <sub>IN</sub>	+3.3V to +5.5	V
Junction Temperature	T <sub>J</sub>	0 to +125	°C

**Electrical Characteristics**

V<sub>IN</sub> = V<sub>out</sub>+1V; V<sub>EN1</sub>=V<sub>EN2</sub>=V<sub>IN</sub>; I<sub>OUT</sub> = 10mA, C<sub>IN</sub> = 2.2μF; C<sub>OUT</sub> = 2.2μF; T<sub>J</sub> = 25°C; unless otherwise specified

Symbol	Parameter	Conditions	Min	Typ	Max	Unit
V <sub>OUT</sub>	Output Voltage Accuracy	Channel 1 SE5221 – 2.8V SE5221 – 3.3V	2.716 3.201	2.8 3.3	2.884 3.399	V
		Channel 2 SE5221 – 1.3V SE5221 – 1.8V	1.261 1.746	1.3 1.8	1.339 1.854	
ΔV <sub>OUT</sub> /V <sub>OUT</sub>	Line Regulation	Channel 1 V <sub>IN</sub> = (V <sub>OUT</sub> +0.4)V to 5.5V	--	0.14	--	%V
		Channel 2 V <sub>IN</sub> = (V <sub>OUT</sub> +0.4)V to 5.5V	--	0.14	--	
ΔV <sub>OUT</sub> /V <sub>OUT</sub>	Load Regulation <sup>(5)</sup>	Channel 1 I <sub>OUT</sub> = 1mA to 200mA	--	0.66	--	%
		Channel 2 I <sub>OUT</sub> = 1mA to 200mA	--	1.32	--	



**Electrical Characteristics (Continued)**

$V_{IN} = V_{OUT} + 1V$ ;  $V_{EN1} = V_{EN2} = V_{IN}$ ;  $I_{OUT} = 10mA$ ,  $C_{IN} = 2.2\mu F$ ;  $C_{OUT} = 2.2\mu F$ ;  $T_J = 25^\circ C$ ; unless otherwise specified

Symbol	Parameter	Conditions	Min	Typ	Max	Unit	
$\Delta V_{OUT}/\Delta T$	Output Voltage Temperature Coefficient <sup>(4)</sup>	Channel 1	--	-0.025	--	mV/°C	
		Channel 2	--	-0.63	--		
$V_{IN} - V_{OUT}$	Dropout Voltage <sup>(6)</sup>	Channel 1	$I_{OUT} = 100mA$	--	128	--	mV
			$I_{OUT} = 200mA$	--	256	--	
		Channel 2	$I_{OUT} = 100mA$	--	237	--	
			$I_{OUT} = 200mA$	--	427	--	
$T_{PROTECTION}$	Thermal Protection	Thermal Protection Temperature	--	180	--	°C	
		Protection Hysterisys	--	30	--		
PSRR	Ripple Rejection	f = 100 Hz, $V_{in}=4.5V, V_{p-p}=1V, I_{out}=100mA$	--	60	--	dB	
$I_Q$	Quiescent Current	No Load	--	110	--	$\mu A$	
		$I_{OUT} = 100mA$ (Both Channel)	--	125	--		
$V_{TH(EN)}$	Enable Input Threshold Voltage	Voltage Increasing, Output Turns On, Logic High	1.6	--	--	V	
		Voltage Decreasing, Output Turns Off, Logic Low	--	--	0.4		
$I_{leak}$	Shutdown Supply Current		--		5	$\mu A$	
$I_{MAX}$	Current Limit	Channel 1	200		--	mA	
		Channel 2	200		--		

**Note 1:** Exceeding the absolute maximum rating may damage the device.

**Note 2:** The device is not guaranteed to function outside its operating range.

**Note 3:** The maximum allowable power dissipation at any  $T_A$  (ambient temperature) is calculated using:  $P_{D(MAX)} =$

$(T_{J(MAX)} - T_A)/\theta_{JA}$ . Exceeding the maximum allowable power dissipation will result in excessive die temperature, and the regulator will go into thermal shutdown. See "Thermal Consideration" section for details.

**Note 4:** Output voltage temperature coefficient is the worst case voltage change divided by the total temperature range.

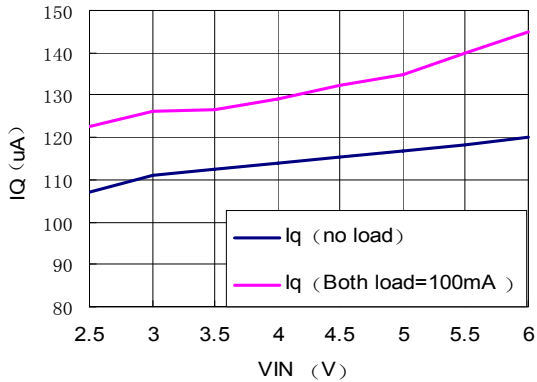
**Note 5:** Regulation is measured at constant junction temperature using low duty cycle pulse testing. Parts are tested for load regulation in the load range from 10mA to 200mA. Changes in output voltage due to heating effects are covered by the thermal regulation specification.

**Note 6:** Dropout voltage is defined as the input to output differential at which the output voltage drops 2% below its nominal value measured at 1V differential.

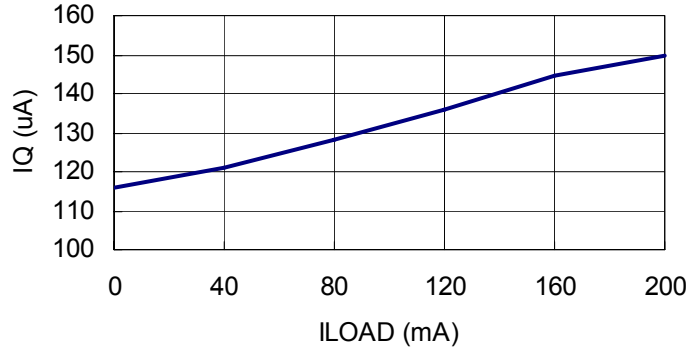


### Typical Operating Characteristics

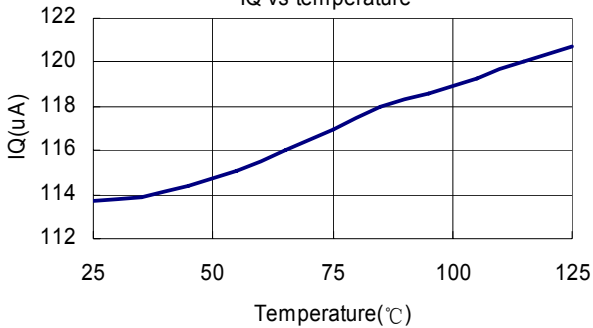
I<sub>Q</sub> VS V<sub>IN</sub>



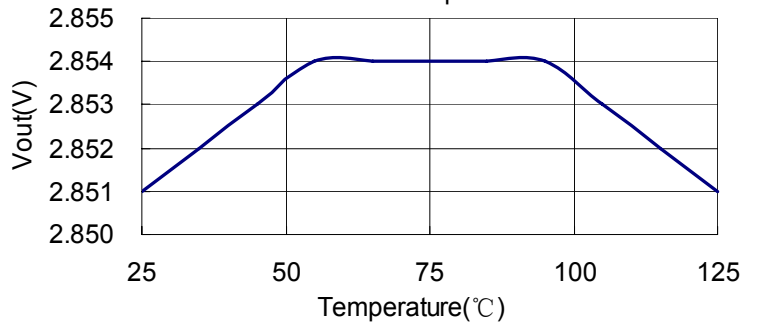
I<sub>Q</sub> VS I<sub>LOAD</sub>



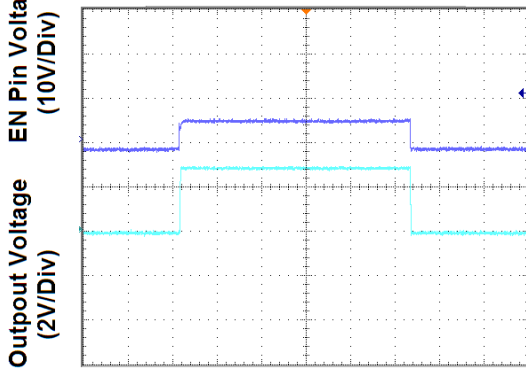
I<sub>Q</sub> Vs temperature



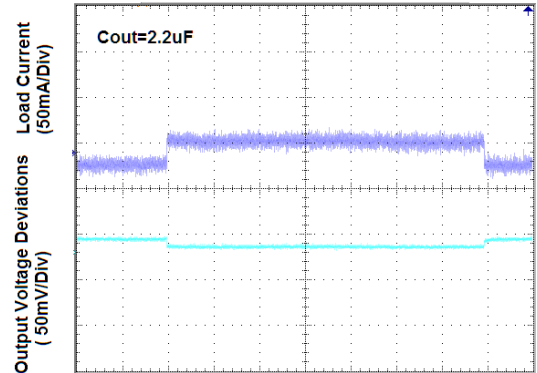
V<sub>out</sub> VS Temperature



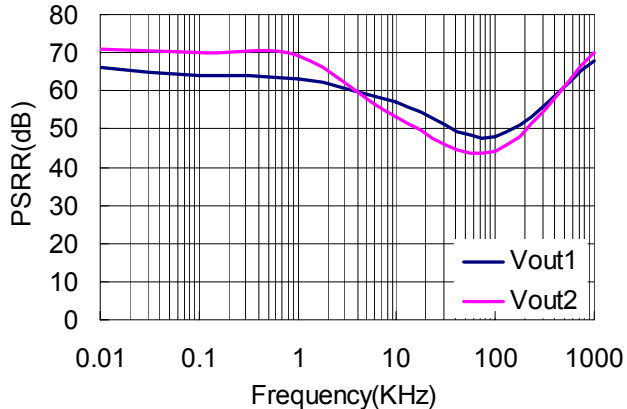
EN Pin Shutdown Response



Load Transient Response



PSRR VS Frequency



### Application Hints

Like any low dropout regulator, SE5221 requires external capacitors to ensure stability. The external capacitors must be carefully selected to ensure performance.

### Input Capacitor

An input capacitor of at least 1 $\mu$ F is required. Electrolytic or Ceramic or Tantalum can be used. The value can be increased without upper limit.

### Output Capacitor

An output capacitor is required for stability. It must be placed no more than 1 cm away from the  $V_{OUT}$  pin, and connected directly between  $V_{OUT}$  and GND pins. Electrolytic or Ceramic or Tantalum can be used. The minimum value is 1 $\mu$ F but may be increased without limit.

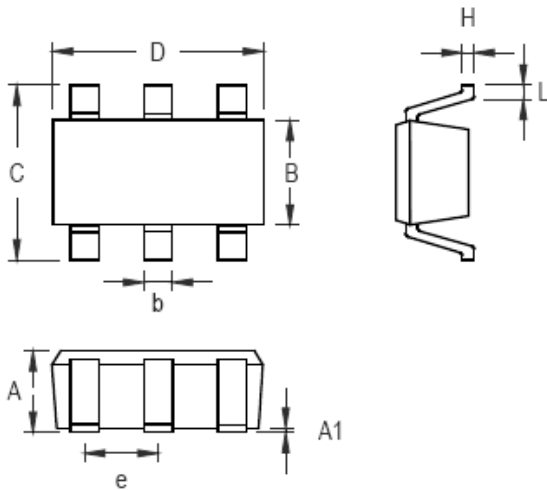
### Thermal Considerations

It is important that the thermal limit of the package is not exceeded. The SE5221 has built-in thermal protection. When the thermal limit is exceeded, the IC will enter protection, and  $V_{OUT}$  will be gradually pulled to ground as load continued to increase. The power dissipation for a given application can be calculated as following:

The power dissipation ( $P_D$ ) is

$$P_D = I_{OUT} * [V_{IN} - V_{OUT}]$$

The thermal limit of the package is then limited to  $P_{D(MAX)} = [T_J - T_A]/\Theta_{JA}$  where  $T_J$  is the junction temperature,  $T_A$  is the ambient temperature, and  $\Theta_{JA}$  for SOT-23-6 is around 230°C/W for SE5221. SE5221 is designed to enter thermal protection at 120°C. For example, if  $T_A$  is 25°C then the maximum  $P_D$  is limited to about 0.4W. In other words, if  $I_{OUT(MAX)} = 200mA$ , then  $[V_{IN} - V_{OUT}]$  cannot exceed 2V.

**OUTLINE DRAWING SOT-23-6L**


Symbol	Dimensions In Millimeters		Dimensions In Inches	
	Min	Max	Min	Max
A	0.889	1.295	0.031	0.051
A1	0.000	0.152	0.000	0.006
B	1.397	1.803	0.055	0.071
b	0.250	0.560	0.010	0.022
C	2.591	2.997	0.102	0.118
D	2.692	3.099	0.106	0.122
e	0.838	1.041	0.033	0.041
H	0.080	0.254	0.003	0.010
L	0.300	0.610	0.012	0.024

**Customer Support**
Seaward Electronics Incorporated – China

Section B, 2nd Floor, ShangDi Scientific Office Complex, #22 XinXi Road

Haidian District, Beijing 100085, China

Tel: 86-10-8289-5700/01/05

Fax: 86-10-8289-5706

Seaward Electronics Corporation – Taiwan

2F, #181, Sec. 3, Minguan East Rd,

Taipei, Taiwan R.O.C

Tel: 886-2-2712-0307

Fax: 886-2-2712-0191

Seaward Electronics Incorporated – North America

1512 Centre Pointe Dr.

Milpitas, CA95035, USA

Tel: 1-408-821-6600

Last Updated - 9/4/2008