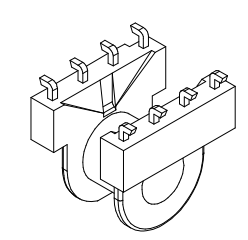
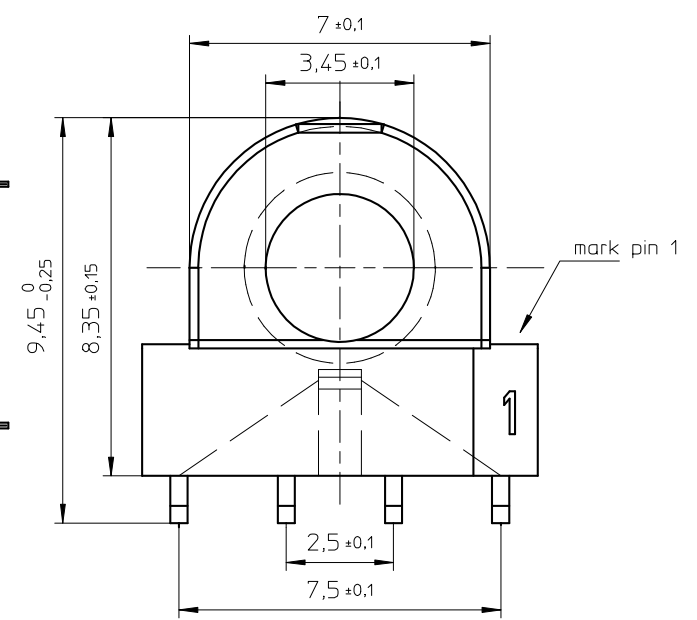
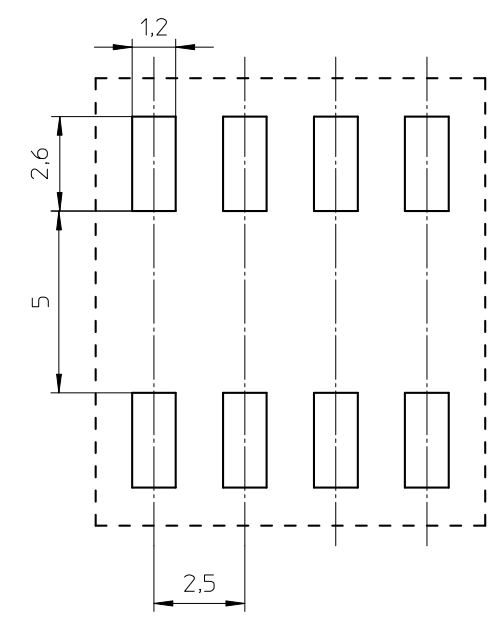
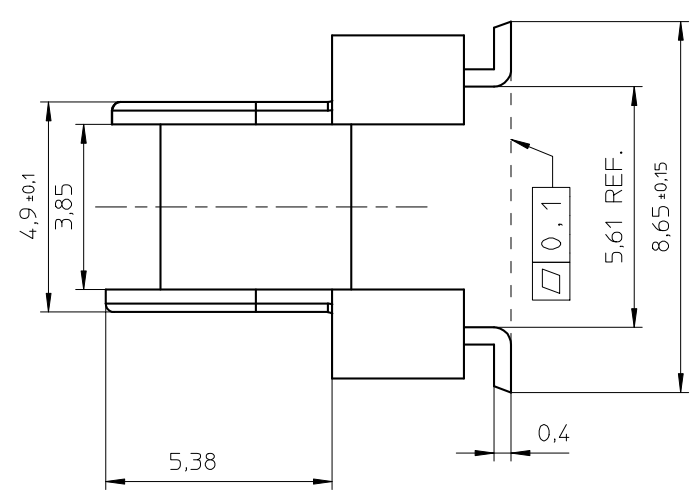
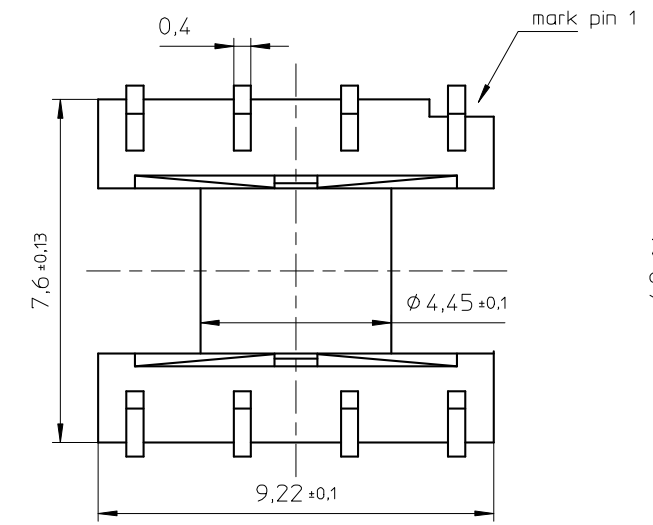


PROPOSED PAD ARRANGEMENT:



Coil former material: Sumikon PM9630 (PF), glass-reinforced  
 UL file number: E41429 - UL94V-0.  
 Max. operating temp.: 180°C, class H  
 Pin material: CuSn, Sn plated.  
 Resistance to soldering heat: acc to IEC 60 068-2-20 Part 2, Test Tb, method 1B 350°C-3.5s  
 Solderability: acc to IEC 60 068-2-20 Part 2, Test Ta, method 1, 235°C-2 sec.  
 Winding area: 4 mm<sup>2</sup>.  
 Mean length of turn: 17,96 mm.

CLASSNO.	CSHS-EP7-1S-8P-LZ		4322 021 06971	07-12-05
NAME NAAM	A.Wojtasz	SUPERS. VERV.	8222 294 48531	001
MPA	CHECK CONTR.	DAT.	07-12-05	SP/SH BL/BL
		Property of Eigenaam van	© FERROXCUBE 2007	112 - 001
				069
				A3