

STRUCTURE Silicon Monolithic Integrated Circuit

NAME OF PRODUCT DC-AC Inverter Control IC

TYPE **BD9221F**

FUNCTION

- Using 20V process / 1ch control with Push-Pull
- BD9221F can synchronous operating with external sync-signal
- Accuracy of drive output frequency : 3.5% (IC Only/Built-in CT Capacitor)
- High accuracy timer latch current(±15%)
- Built-in FAIL function
- Adjustable latch timing
- Adjustable slow start time
- Lamp current and voltage sense feedback control
- Mode-selectable the operating or stand-by mode by STB pin (Typ.=0uA)

○Absolute Maximum Ratings (Ta = 25°C)

Parameter	Symbol	Limits	Unit
Supply Voltage	Vcc	20	V
OUTPUT PIN Voltage	N1, N2	20	V
Operating Temperature Range	Topr	-40~+85	°C
Storage Temperature Range	Tstg	-55~+150	°C
Maximum Junction Temperature	Tjmax	+150	°C
Power Dissipation	Pd	SOP18:687*	mW

*1Pd derate at -5.5mW/°C for temperature above Ta = 25°C (When mounted on a PCB 70.0mm×70.0mm×1.6mm)

○動作範囲

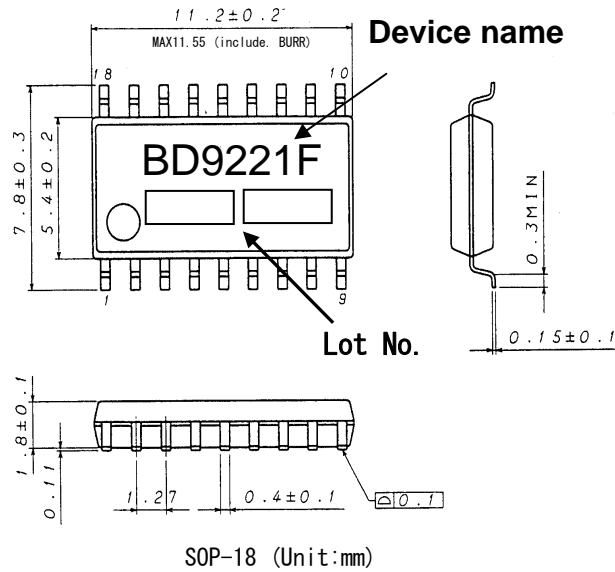
項目	記号	範囲	単位
Supply voltage	VCC	8.0 ~ 18.0	V
Input Frequency Ratio CLK_IN PIN	F_CLK_IN	40~180	kHz
Input Frequency Ratio PWM_IN PIN	F_PWM_IN	0.060~0.5	kHz
DRIVER frequency	F_OUT	20 ~ 90	kHz

○Electric Characteristics (Ta=25°C、VCC=12V、STB=3.0V)

Item	SYMBOL	LIMIT			UNIT	CONDITION
		MIN.	TYP.	MAX.		
((WHOLE DEVICE))						
Operating current	Icc1	—	2.0	4.0	mA	RT=100kΩ, FB=GND, IS=1.5V
Stand-by current	Icc2	—	0	20	μA	VSTB=0V
((STAND BY CONTROL))						
Stand-by voltage H	VSTBH	2	—	VCC	V	System ON
Stand-by voltage L	VSTBL	-0.3	—	0.8	V	System OFF
STB PIN pull down resistor	RSTB	180	375	750	kΩ	VSTB=2V
((VCC UVLO BLOCK))						
Operating voltage	VCC_UVLO	7.2	7.5	7.8	V	VCC=6V→8V sweep
Hysteresis width	∠UVLO_HYS	0.3	0.5	0.7	V	VCC=8V→6V sweep
((OSC BLOCK))						
RT pin Voltage	VRT	1.300	1.500	1.700	V	RT=100kΩ
SRT ON resistance	RSRT	—	75	150	Ω	VSRT=0.1V
((Synchronous Block))						
CLK_IN PIN voltage H	VCTSIN_H	2.4	—	5	V	V_CT_SYNC_IN=0V⇒3.0V
CLK_IN PIN voltage L	VCTSIN_L	-0.3	—	0.8	V	V_CT_SYNC_IN=3.0V⇒0V
CLK_IN PIN pull down resistor	R_CTSIN	1000	2000	4000	kΩ	VCT_SYNC_IN=5V
((PWM Dimming Block))						
PWM_IN PIN voltage H	VPWMIN_H	2.4	—	5	V	VPWM_IN=0V⇒3.0V
PWM_IN PIN voltage L	VPWMIN_L	-0.3	—	0.8	V	VPWM_IN=3.0V⇒0V
PWM_IN PIN pull down resistor	R_PWMIN	1000	2000	4000	kΩ	VPWM_I=5V
((FEED BACK BLOCK))						
IS threshold voltage	VIS	1.225	1.250	1.275	V	
VS threshold voltage	VVS	1.200	1.250	1.300	V	
IS source current	IIS	16	20	24	μA	IS=1.0V
IS COMP detect voltage	VISCOMP	0.565	0.625	0.685	V	IS=1.3V→0.5V
((SLOW START BLOCK))						
SS term END Voltage	VSS	2.400	2.500	2.600	V	VSS=0V⇒3V
Soft start current	ISS	1.7	2.0	2.3	μA	VSS=1.0V IS=1.5V
((COMP BLOCK))						
COMP over voltage detect voltage	VCOMPH	1.900	2.000	2.100	V	VSS>2.5V VCOMP=1.5V→2.5V
Hysteresis width (COMP)	∠VCOMPH	0.100	0.200	0.300	V	VSS<2.0V VCOMP=2.5V→1.5V
COMP PIN pull down resistor	RCOMP	1000	2000	4000	kΩ	COMP=5V
FAIL ON resistance	RFAIL	—	75	150	Ω	VFAIL=0.1V
((OUTPUT BLOCK))						
N1,N2 PIN output sink resistance	RsinkN	1.5	3.0	6.0	Ω	IIN=100mA
N1,N2 PIN output source resistance	RsourceN	4.5	9	18	Ω	IIN=-100mA
MAX DUTY	MAX DUTY	45	47.0	49.5	%	FOUT=50kHz
Drive output frequency	FOUT	48.25	50	51.75	kHz	RT=100kΩ Without Synchronous signal
((TIMER BLOCK))						
Timer Latch setting voltage	VCP	2.900	3.000	3.100	V	VCP=0V⇒3.2V
Timer Latch setting current	ICP	1.7	2.0	2.3	μA	CP=1.0V IS=1.5V COMP=3.0V

(This product is not designed to be radiation-resistant.)

○Package Dimensions



○PIN No. · PIN NAME · FUNCTION

BD9221F					
No.	PIN	Function	No.	PIN	Function
1	VCC	Supply voltage input	18	N1	NMOS FET driver
2	STB	Stand-by switch	17	N2	NMOS FET driver
3	SRT	External resistor from SRT to RT for adjusting the triangle oscillator	16	PGND	Ground for FET drivers
4	RT	External resistor from SRT to RT for adjusting the triangle oscillator	15	CLK_IN	OUTPUT synchronous signal input pin
5	GND	GROUND	14	PWM_IN	Dimming pulse signal input pin
6	-	Non Connection	13	SS	External capacitor from SS to GND for Soft Start Control
7	FB	Error amplifier output	12	CP	External capacitor from CP to GND for Timer Latch
8	IS	Error amplifier input	11	FAIL	Error signal output pin
9	VS	Error amplifier input	10	COMP	Over voltage detect pin

○Setting of synchronous function

BD9221F output frequency with <CLK_IN Freq. *1/2> to N1 and N2 pin.

(signal amplitude level : H=over 2.4V ,L=under 0.8V)

Set the IC frequency by adjusting RT resistor value, in order to satisfy under synchronous condition.

$$F(IC) = F(CLK_IN) * 1/2 * A$$

$$F(IC) \cdots IC \text{ Freq. } \quad F(CLK_IN) \cdots \text{Synchronous Freq. } \quad A \cdots \text{under } 90\% / \text{over } 75\%$$

However this synchronous function is connected with SRT movement.

SRT=OFF (OPEN) : synchronous mode.

SRT=ON (LOW) : IC Frequency mode.

ONOTE FOR USE

1. This product is produced with strict quality control, but might be destroyed if used beyond its absolute maximum ratings. Once IC is destroyed, failure mode will be difficult to determine, like short mode or open mode. Therefore, physical protection countermeasure, like fuse is recommended in case operating conditions go beyond the expected absolute maximum ratings.
2. The circuit functionality is guaranteed within of ambient temperature operation range as long as it is within recommended operating range. The standard electrical characteristic values cannot be guaranteed at other voltages in the operating ranges, however the variation will be small.
3. Mounting failures, such as misdirection or miscounts, may harm the device.
4. A strong electromagnetic field may cause the IC to malfunction.
5. The GND pin should be the location within $\pm 0.3V$ compared with the PGND pin. ALL voltage should be under VCC voltage +0.3V
6. BD9221F incorporate a built-in thermal shutdown circuit (TSD circuit). The thermal shutdown circuit (TSD circuit) is designed only to shut the IC off to prevent runaway thermal operation. It is not designed to protect the IC or guarantee its operation of the thermal shutdown circuit is assumed.
7. When modifying the external circuit components, make sure to leave an adequate margin for external components actual value and tolerance as well as dispersion of the IC.
8. About the external FET, the parasitic Capacitor may cause the gate voltage to change, when the drain voltage is switching. Make sure to leave adequate margin for this IC variation.
9. Under operating CP charge (under error mode) analog dimming and burst dimming are not operate.
10. Under operating Slow Start Control (SS is less than 2.5V), It does not operate Timer Latch.
11. By STB voltage is changed to 2 states. Therefore, do not input STB pin voltage between one state and the other state (0.8~2.0V).
12. The pin connected a connector need to connect to the resistor for electrical surge destruction.
13. This IC is a monolithic IC which (as shown is Fig-1) has P⁺ substrate and between the various pins. A P-N junction is formed from this P layer of each pin. For example, the relation between each potential is as follows,

- (When GND > PinB and GND > PinA, the P-N junction operates as a parasitic diode.)
- (When PinB > GND > PinA, the P-N junction operates as a parasitic transistor.)

Parasitic diodes can occur inevitably in the structure of the IC. The operation of parasitic diodes can result in mutual interference among circuits as well as operation faults and physical damage. Accordingly you must not use methods by which parasitic diodes operate, such as applying a voltage that is lower than the GND (P substrate) voltage to an input pin.

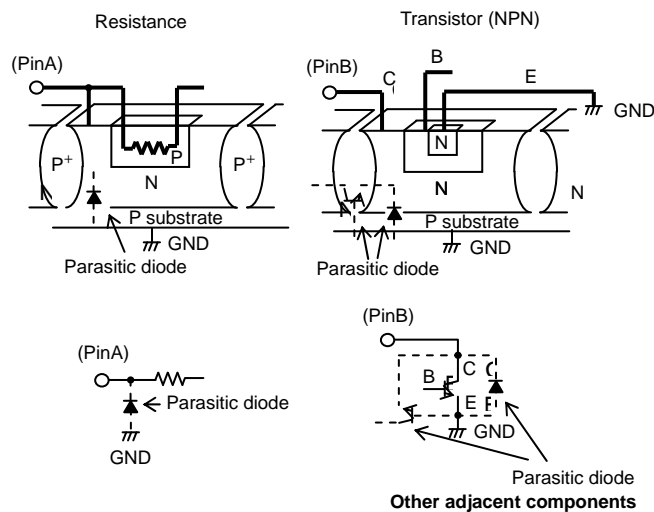


Fig-1 Simplified structure of a Bipolar IC

Notes

No copying or reproduction of this document, in part or in whole, is permitted without the consent of ROHM Co.,Ltd.

The content specified herein is subject to change for improvement without notice.

The content specified herein is for the purpose of introducing ROHM's products (hereinafter "Products"). If you wish to use any such Product, please be sure to refer to the specifications, which can be obtained from ROHM upon request.

Examples of application circuits, circuit constants and any other information contained herein illustrate the standard usage and operations of the Products. The peripheral conditions must be taken into account when designing circuits for mass production.

Great care was taken in ensuring the accuracy of the information specified in this document. However, should you incur any damage arising from any inaccuracy or misprint of such information, ROHM shall bear no responsibility for such damage.

The technical information specified herein is intended only to show the typical functions of and examples of application circuits for the Products. ROHM does not grant you, explicitly or implicitly, any license to use or exercise intellectual property or other rights held by ROHM and other parties. ROHM shall bear no responsibility whatsoever for any dispute arising from the use of such technical information.

The Products specified in this document are intended to be used with general-use electronic equipment or devices (such as audio visual equipment, office-automation equipment, communication devices, electronic appliances and amusement devices).

The Products specified in this document are not designed to be radiation tolerant.

While ROHM always makes efforts to enhance the quality and reliability of its Products, a Product may fail or malfunction for a variety of reasons.

Please be sure to implement in your equipment using the Products safety measures to guard against the possibility of physical injury, fire or any other damage caused in the event of the failure of any Product, such as derating, redundancy, fire control and fail-safe designs. ROHM shall bear no responsibility whatsoever for your use of any Product outside of the prescribed scope or not in accordance with the instruction manual.

The Products are not designed or manufactured to be used with any equipment, device or system which requires an extremely high level of reliability the failure or malfunction of which may result in a direct threat to human life or create a risk of human injury (such as a medical instrument, transportation equipment, aerospace machinery, nuclear-reactor controller, fuel-controller or other safety device). ROHM shall bear no responsibility in any way for use of any of the Products for the above special purposes. If a Product is intended to be used for any such special purpose, please contact a ROHM sales representative before purchasing.

If you intend to export or ship overseas any Product or technology specified herein that may be controlled under the Foreign Exchange and the Foreign Trade Law, you will be required to obtain a license or permit under the Law.



Thank you for your accessing to ROHM product informations.
More detail product informations and catalogs are available, please contact us.

ROHM Customer Support System

<http://www.rohm.com/contact/>