



Isolated and Regulated 15 WATT Modular DC/DC Converter

ASD15 series



Unit measures 1.6"W x 2"L x 0.375"H

- Wide 4 : 1 Input Range
- High Efficiency
- Regulated Outputs
- 1500V Isolation
- Full EMI Shielding
- Standard Pinouts

Model Number	Output Voltage	Output Amps	Input Range
SINGLE OUTPUT			
ASD15-12S3	3.3 VDC	3.75	9-18VDC
ASD15-48S3		3.75	20-75VDC
ASD15-12S5	5 VDC	3	9-18VDC
ASD15-48S5		3	20-75VDC
ASD15-12S12	12 VDC	1.25	9-18VDC
ASD15-48S12		1.25	20-75VDC
ASD15-12S15	15 VDC	1	9-18VDC
ASD15-48S15		1	20-75VDC
DUAL OUTPUT			
ASD15-12D5	+/-5 VDC	+/-1.5	9-18VDC
ASD15-48D5		+/-1.5	20-75VDC
ASD15-12D12	+/-12 VDC	+/-0.62	9-18VDC
ASD15-48D12		+/-0.62	20-75VDC
ASD15-12D15	+/-15 VDC	+/-0.5	9-18VDC
ASD15-48D15		+/-0.5	20-75VDC



Isolated and Regulated 15 WATT Modular DC/DC Converter

ASD15 series

INPUT SPECIFICATIONS

Input Voltage, Nominal	12VDC	48VDC
Input Voltage Ranges	9-18	20-75 VDC
Input Surge Voltage	50V (12V Models), *	
	100V (48V Models), *	
	10 mS duration, min.	

OUTPUT SPECIFICATIONS

Voltage and Current	See Selection Chart
Load Regulation	singles: +/- 0.5%
20% - FL	duals: +/-1%, +/-3% (5V mod)
Line Regulation	singles: +/- 0.5%
	duals: +/- 1%
Trim Range	0.5V min, 0.65V typ
Temperature Coefficient	+/-0.01%/°C
Ripple/Noise(Single/Dual)	100mV PK-PK, typ
Overvoltage Protection	Clamp, 130-150% *
Voltage Stability	+/- 0.05%, max
Transient Response	+/- 2%, max
Short Circuit Protection	Continuous, self-recovering

GENERAL SPECIFICATIONS

On/Off Control	(Ref to - Input pin)
	Logic "1"/Open=ON
	Logic "0"/GND=OFF
Shutdown Idle Current	15mA
Input-Out Isolation	1500VDC (48V)
	500 VDC (12V)
In/Out Capacitance	1000 pF
Efficiency	82%, typ
Switching Frequency	450Khz

ENVIRONMENTAL SPECIFICATIONS

Oper. Temperature	-25 to +71°C(FL)
Storage Temperature	-40 to +125°C *
Maximum Case Temp	110°C *
Input Fusing	12V: 4A, 48V: 2A
MTBF	1,000,000 Hrs
	Mil Std 217, 25°C
Shock/Vibration	To MIL-STD 810°C

PHYSICAL SPECIFICATIONS

Case Material	Aluminum
Construction	Fully Encapsulated
Weight	1.6 oz, (40g)

All specifications are typical at nominal input, full load, and 25°C unless otherwise noted

* These are stress ratings. Exposure of the devices to any of these conditions may adversely affect long term reliability. Proper operation under conditions other than the standard operating conditions is neither warranted nor implied.

Astrodyne products are not authorized or warranted for use as critical components in life support systems, equipment used in hazardous environments, nuclear controls systems, or other mission-critical applications.

WWW.ASTRODYNE.COM

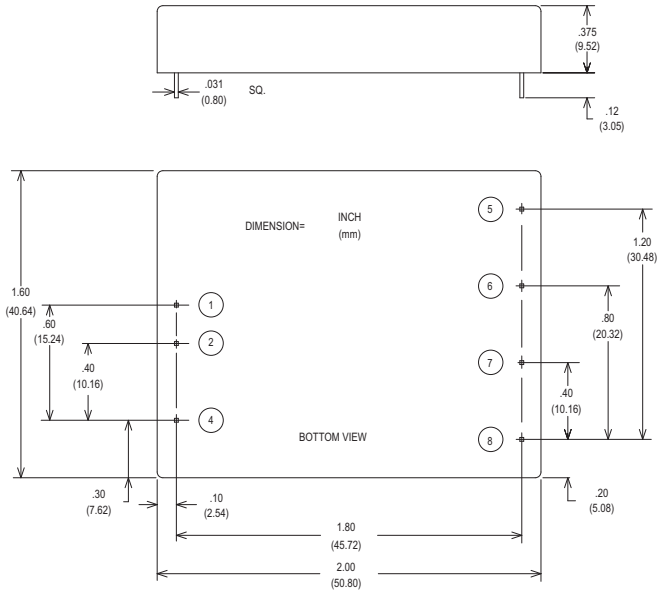
ASTRODYNE USA: 1-800-823-8082
ASTRODYNE PACIFIC: 886-2-26983458
ASTRODYNE EUROPE: 353 51 561060



Isolated and Regulated 15 WATT Modular DC/DC Converter

ASD15 series

MECHANICAL DIMENSIONS



Pin #	Single Outputs	Dual Outputs
1	+ Input	+ Input
2	- Input	- Input
3	No Pin	No Pin
4	Control	Control
5	No Pin	+ Output
6	+ Output	Out. Ret.
7	Out. Ret.	- Output
8	Trim	Trim

OUTPUT DERATING CURVE

