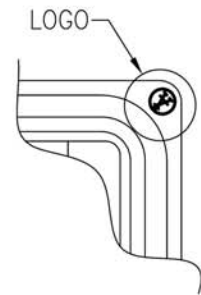
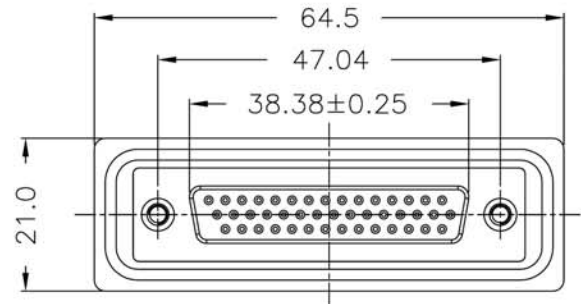
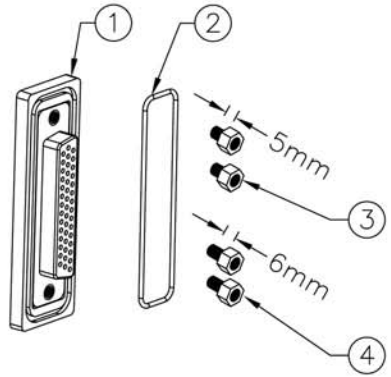
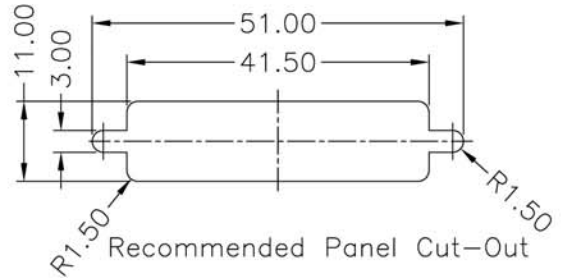
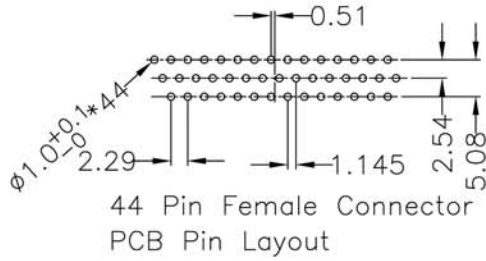


Screw L=5.0 For Panel Thickness Under 1.2mm
 Screw L=6.0 For Panel Thickness Between 1.2~2.0mm



Note:
 * Waterproof Rate : IP67
 * Connector : Black,Nylon+GF
 * Pin: Copper Alloy,Gold Plated



RoHS
 Compliant

ITEM NO A-HDF44AA-WP
TITLE D-SUB, High Density, Female, 44 pin, 90°

ASSMANN
 Electronics, Inc.

1840 W. Drake Drive, Suite 101 - Tempe, AZ 85283
 Toll Free: 1-877-277-6266 Email: info@usa-assmann.com

THIS DRAWING IS UNPUBLISHED
 © Copyright 2008 by Assmann Electronic Components
 All International Rights Reserved