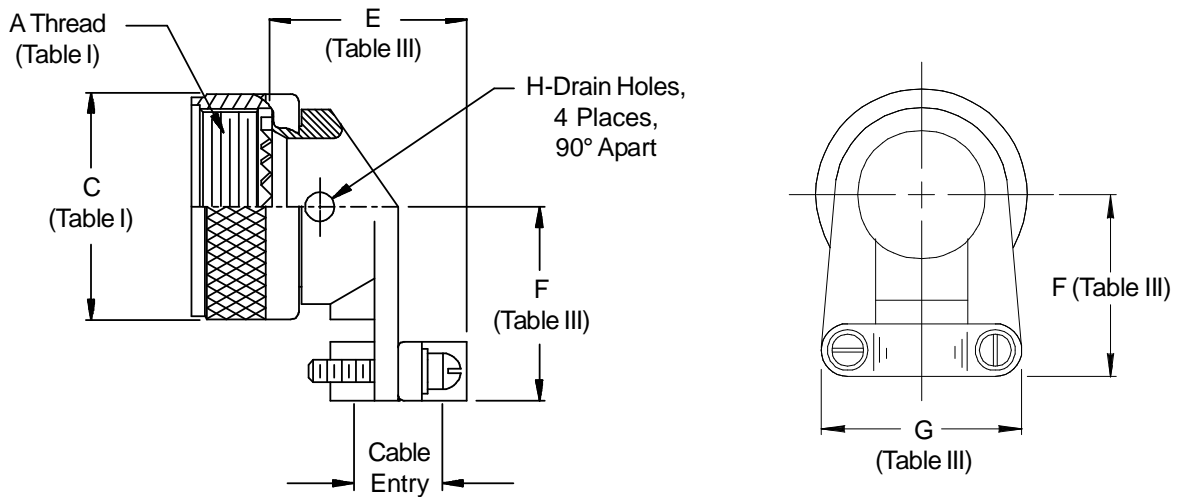
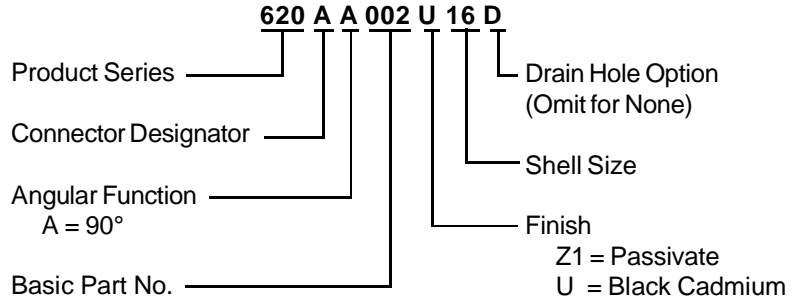


**620-002**  
**Strain Relief**  
 Stainless Steel - Rotatable Coupling - 90°



**STAINLESS STEEL**

**CONNECTOR  
 DESIGNATOR**  
**A**  
**ROTATABLE  
 COUPLING**



See inside back cover fold-out or page 14 for Table I.

**TABLE III: CABLE ENTRY**

Shell Size	E Max	F Max	G Max	H Max	Cable Entry	
					Closed	Open
08	.704 (17.9)	.808 (20.5)	.752 (19.1)	.125 (3.2)	.125 (3.2)	.204 (5.2)
10	.786 (20.0)	.867 (22.0)	.832 (21.1)	.125 (3.2)	.187 (4.7)	.286 (7.3)
12	.979 (24.9)	.929 (23.6)	.988 (25.1)	.188 (4.8)	.291 (7.4)	.416 (10.6)
14	1.039 (26.4)	.992 (25.2)	1.046 (26.6)	.188 (4.8)	.351 (8.9)	.476 (12.1)
16	1.188 (30.2)	1.056 (26.8)	1.319 (33.5)	.188 (4.8)	.501 (12.7)	.626 (15.9)
18	1.300 (33.0)	1.233 (31.3)	1.451 (36.9)	.188 (4.8)	.518 (13.2)	.706 (17.9)
20	1.425 (36.2)	1.296 (32.9)	1.551 (39.4)	.188 (4.8)	.581 (14.8)	.831 (21.1)
22	1.550 (39.4)	1.358 (34.5)	1.653 (42.0)	.188 (4.8)	.644 (16.4)	.956 (24.3)
24	1.675 (42.5)	1.420 (36.1)	1.775 (45.1)	.188 (4.8)	.706 (17.9)	1.081 (27.5)
28	1.813 (46.1)	1.634 (41.5)	2.020 (51.3)	.188 (4.8)	.750 (19.1)	1.187 (30.1)

1. Cable Entry is defined as the accommodation entry for the wire bundle or cable. Dimensions are not intended for inspection criteria.
2. Metric dimensions (mm) are indicated in parentheses.