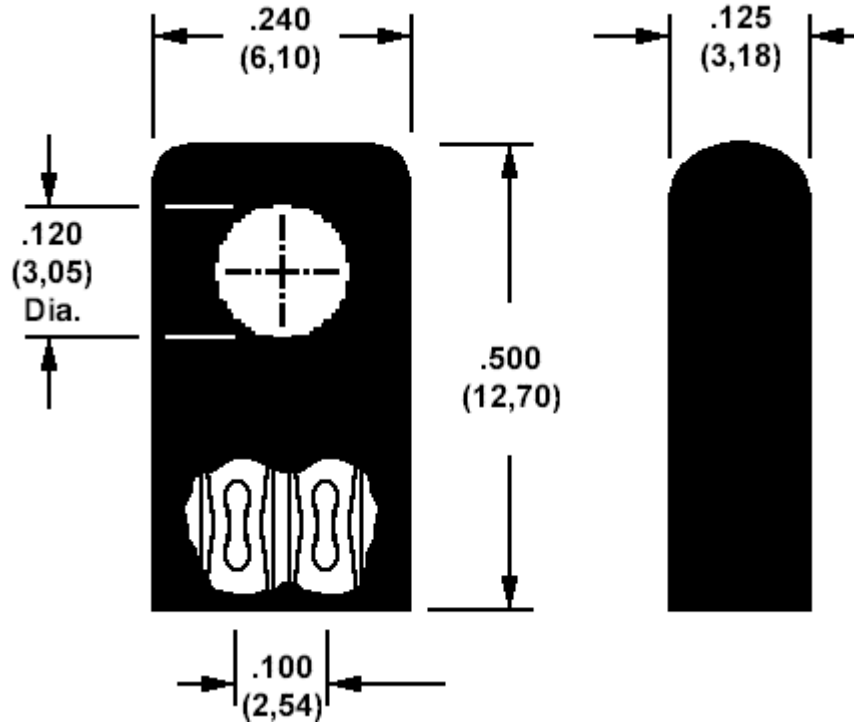


450-4774 Shorting socket, insulated, for .029 (0,76) to .032 (0,81) diameter pins



Min hole depth .190 (4,83)

How to order code
450-4774-01-06-XX
 Basic Part No XX = Colour

Component	Material	Finish(-06)
Body	Copper	Tin
Spring	Beryllium copper	Gold over Nickel
Insulator	Polypropylene	Select colour (see below)

COLOUR (XX)		
-10	-12	-16
Black	Red	Blue