

Power Relay 415

2 pole 16 A



Features

- 2 N/O contacts, 16 A
- Fast-on connectors 6.3 x 0.8 mm
- Contact gap > 3 mm
- 4 kV / 8 mm coil-contact

Applications

Power Supplies, domestic appliances, heating controls



Contact data

| | |
|---|-------------------|
| Configuration | 2 N/O contacts |
| Type of contact | single contact |
| Rated current | 16 A |
| Rated voltage / max.breaking voltage AC | 250 Vac / 440 Vac |
| Max. breaking voltage DC | 250 Vdc |
| Maximum breaking capacity AC | 4000 VA |
| Make current (max. 4 s at duty cycle 10%) | 25 A |
| Peak inrush current 20 msw | 25 A |
| Contact material | AgCdO |

Contact ratings

| Type | Load | Operations |
|------------|-----------------------------|-----------------|
| 41501 / 04 | 16 A, 250 Vac, $\cos\phi=1$ | 1×10^5 |

Coil data

| | | |
|--------------------|---------|--------------|
| Nominal voltage | DC coil | 12...220 Vdc |
| | AC coil | 24...380 Vdc |
| Nominal coil power | DC coil | 1.3 W |
| | AC coil | 2.8 VA |
| Operate category | | 1 / b |

Coil versions DC-coil

| Coil code | Nominal voltage Vdc | Pull-in voltage Vdc | Release voltage Vdc | Maximum voltage Vdc | Coil resistance Ω | Coil current mA |
|-----------|---------------------|---------------------|---------------------|---------------------|--------------------------|-----------------|
| 031 | 12 | 7.0 | 0.9 | 14.5 | $125 \pm 10\%$ | 96.0 |
| 029 | 24 | 14.0 | 1.8 | 39.0 | $435 \pm 10\%$ | 55.2 |
| 025 | 220 | 130.0 | 11.0 | 323.0 | $32800 \pm 15\%$ | 6.7 |

All figures are given for coil without preenergization, at ambient temperature +20°C
Other coil voltages on request

Power Relay 415

2 pole 16 A

Coil versions AC-coil

| Coil code | Nominal voltage Vac | Pull-in voltage Vac | Release voltage Vac | Maximum voltage Vac | Coil resistance Ω | Coil current mA |
|-----------|---------------------|---------------------|---------------------|---------------------|--------------------------|-----------------|
| 015 | 24 | 19.0 | 1.8 | 28.8 | 69±10% | 116.0 |
| 010 | 220 | 187.0 | 16.5 | 264 | 5700±15% | 13.0 |
| 008 | 230 | 176.0 | 17.3 | 276 | 6000±15% | 12.0 |
| 009 | 380 | 304.0 | 28.5 | 456 | 10000±15% | 7.0 |

All figures are given for coil without preenergization, at ambient temperature +20°C
Other coil voltages on request

Insulation

| | | |
|-----------------------------------|---|-----------------------|
| Dielectric strength | coil-contacts | 4000 V _{rms} |
| | open contact circuit | 2000 V _{rms} |
| Clearance / creepage | | 8 mm |
| Insulation to IEC 60664 | | |
| | Voltage rating | 250 V |
| | Pollution degree | 3 |
| | Overvoltage category | III |
| Insulation to VDE 0110b (2/79) | | |
| | Insulation category / reference voltage | B / 400, C / 250 |
| Tracking resistance of relay base | | CTI 600 M |

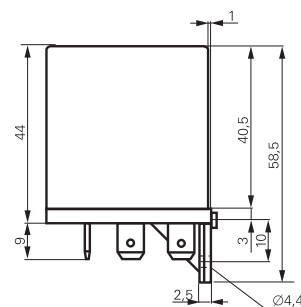
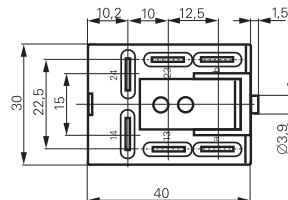
Other data

| | |
|--|--|
| Flammability class according to UL 94 | V-0 |
| Ambient temperature | -20...+70 °C |
| Mechanical life | 10x10 ⁶ operations |
| Max. switching rate at rated- / minimum load | 10 min ⁻¹ / 600 min ⁻¹ |
| Operate- / release time | typ. 15 / 10 ms |
| Bounce time | typ. 5 ms |
| Shock resistance (destruction) | 100 g |
| Category of protection (IEC 61810) | RT I (dust protection) |
| Relay weight | 80 g |
| Packaging unit | 25 pcs. |

Dimensions

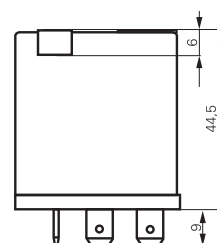
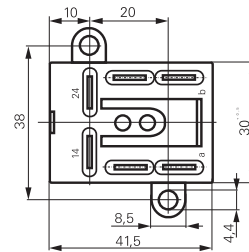
Dimensions in mm

41501



S0469-AA

41504



S0469-AB

Product key

Type

Enclosure

- 01** Case with AMP-Faston terminals
- 04** AMP-Faston terminals, flange/screw mount

Coil

Coil code: Please refer to coil versions table

Contact configuration

- 001** 2 N/O contacts
- 002** 1 N/O contact

Other types on request

0 4 1 5 **0** **0 0**