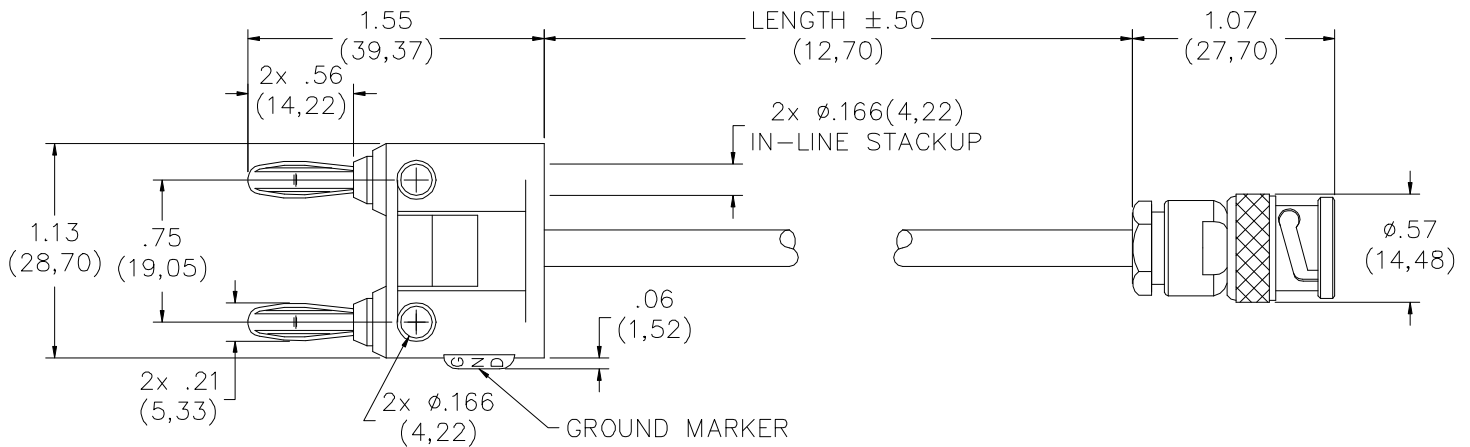


Model 2BC-BNC BNC Male To Multi-Stacking Double Banana Plug



FEATURES:

- Cable allows interconnection between Banana Plug and BNC based test instruments.
- Cable is shielded to reduce the effect of signal leakage or noise interference.
- BNC connector center contact is gold plated and the dielectric is PTFE for superior performance.
- Double Banana Plug is molded directly to the cable for superior cable strength.
- Double Banana Plug features nickel plated Beryllium Copper springs for tarnish resistance and long insertion life
- Double Banana Plug has vertical and horizontal stacking capabilities for test versatility.
- Schematic: Banana Plug ground to BNC shell, Banana Plug non-ground to BNC center contact.

MATERIALS:

BNC: Body: Brass, Nickel Plated, Center Pin: Brass, Gold Plated, Impedance: 50 Ohms

Cable: RG58C/U, Impedance: 50 Ohms, Capacitance: 30.8 pF/Ft., O.D.: .195" (5,0mm) Nom.

Marking "POMONA 2BC-BNC-36"

Double Banana Plug: Body – Brass, Nickel Plated

Spring – Beryllium Copper, Nickel Plated

Insulation - Polypropylene, Color: Black

RATINGS:

Operating Voltage: Hand-held testing: 30VAC/60VDC Max.

Hands free testing in controlled voltage environments: 500 WVDC Max

Operating Temperature: 55°C (+131°F) Max.

ORDERING INFORMATION: Model 2BC-BNC-XX

XX = Length in Inches, Standard Length: 36" (91,44 cm) Additional lengths can be quoted available upon request.

All dimensions are in inches. Tolerances (except noted): .xx = ±.02" (.51 mm), .xxx = ±.005" (.127 mm).

All specifications are to the latest revisions. Specifications are subject to change without notice.

Registered trademarks are the property of their respective companies. Made in USA