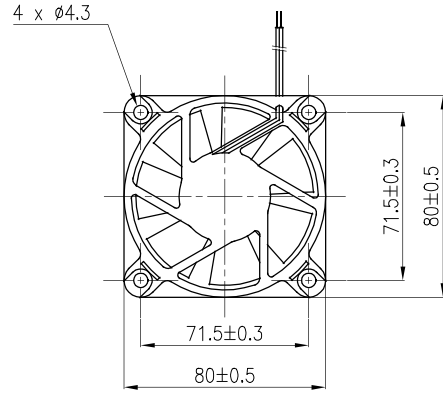


DC Axial Fans



173D series are not available anymore.

Please consult factory:
Tel.: +33 (0)2 54 23 14 54
Sales department: info@etrinet.com



Approvals

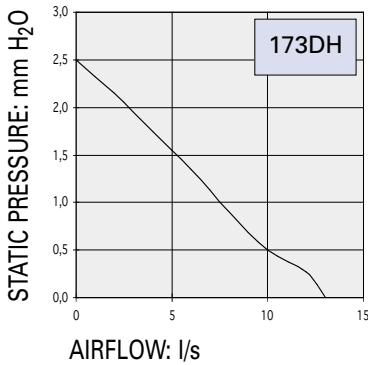


Life expectancy

L-10 LIFE AT 40°C:
50 000 hours

Brushless DC Motor

Electrical protection: integrated circuit
Housing material: plastic UL 94 VO
Impeller material: plastic UL 94 VO
Weight: 85 g



Part number	Nominal voltage	Airflow	Noise level	Nominal speed	Input power	Voltage range	Bearing system		Connection type		Operating temperature	
	V	l/s	dB(A)	RPM	W	V	Ball	Sleeve	Leads	Terminals	Min. °C	Max. °C
173DH1LP31000	12	13,0	29	2800	2,6	(10,2-13,8)		X	X		- 10	60
173DH2LP31000	24	13,0	29	2800	3,1	(20,4-27,6)		X	X		- 10	60

Accessories:
 - Plastic finger guards P/N : PFG-80 and 81-53 - Metal finger guard P/N : 12601-43 - Rubber mounts P/N : AM-10
 - Plastic filter P/N : F80/T102 - Metal mesh filter P/N : 80-G

Non contractual document. Specifications are subject to change without prior notice. Pictures for information only. Edition N°2/01-Rev.1