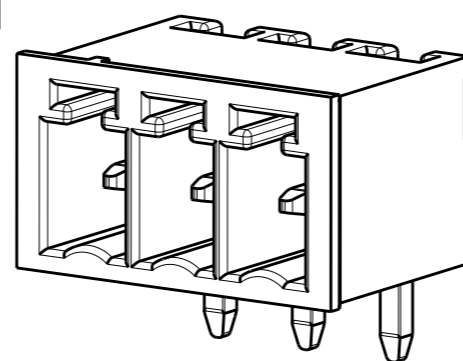
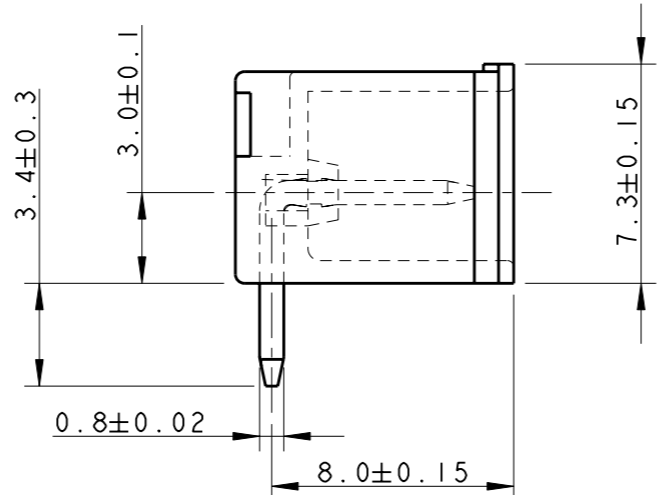
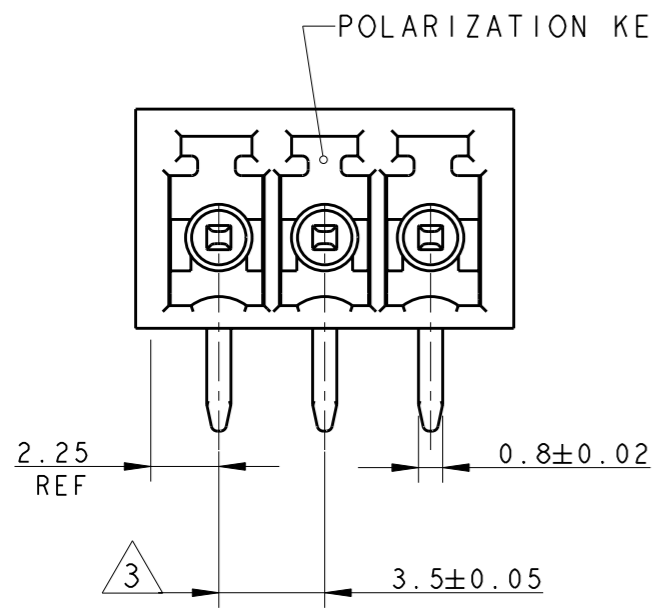
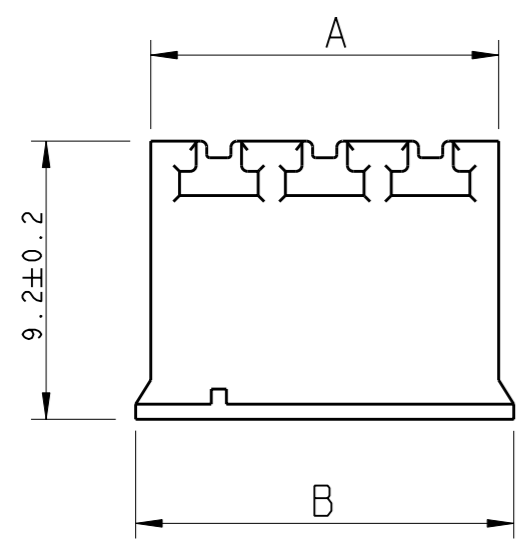


THIS DRAWING IS UNPUBLISHED. RELEASED FOR PUBLICATION 20
 © COPYRIGHT 20 BY TYCO ELECTRONICS CORPORATION. ALL RIGHTS RESERVED.

LOC	DIST	REVISIONS			
P	LTR	DESCRIPTION	DATE	DWN	APVD
FT	0	E2	REVISED PER ECO-10-009379	05MAY2010	HMR CR

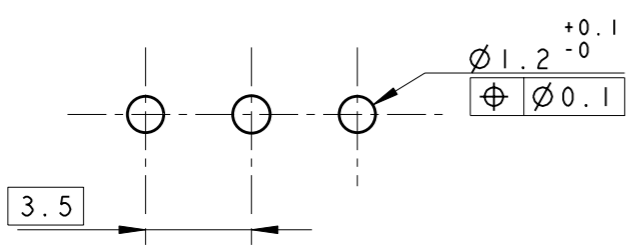


284512-3 AS SHOWN



- 1 MATERIALS AND FINISH
HOUSING : PA 6.6, UL 94-V0, COLOR GREEN
TERMINAL : PHOSPHOR BRONZE, PLATING: SEE TABLE.
- 2. SUITABLE FOR 1.6-2.4 mm. PC BOARD THICKNESS
- 3 NOT CUMULATIVE TOLERANCE
- 4 PRELIMINARY - NOT FOR PRODUCTION.
- 5 SPECIAL CODING LOCATED AT POSITION 2.
PART TO BE MATED WITH 2-284506-9.
- 6 SPECIAL CODING LOCATED AT POSITION 1 AND 2.
PART TO BE MATED WITH 3-284506-0.

TERMINAL PLATING	B	A	NO OF POSN	PART NUMBER
TIN	12.5	11.5	3	3-284512-9
TIN	12.5	11.5	3	3-284512-8
GOLD FLASH	26.5	25.5	7	3-284512-6
0.2 MICRON GOLD	44.0	43.0	12	3-284512-5
TIN	16.0	15.0	4	3-284512-4
TIN	12.5	11.5	3	3-284512-3
TIN	89.5	88.5	25	2-284512-5
TIN	86.0	85.0	24	2-284512-4
TIN	82.5	81.5	23	2-284512-3
TIN	79.0	78.0	22	2-284512-2
TIN	75.5	74.5	21	2-284512-1
TIN	72.0	71.0	20	2-284512-0
TIN	68.5	67.5	19	1-284512-9
TIN	65.0	64.0	18	1-284512-8
TIN	61.5	60.5	17	1-284512-7
TIN	58.0	57.0	16	1-284512-6
TIN	54.5	53.5	15	1-284512-5
TIN	51.0	50.0	14	1-284512-4
TIN	47.5	46.5	13	1-284512-3
TIN	44.0	43.0	12	1-284512-2
TIN	40.5	39.5	11	1-284512-1
TIN	37.0	36.0	10	1-284512-0
TIN	33.5	32.5	9	284512-9
TIN	30.0	29.0	8	284512-8
TIN	26.5	25.5	7	284512-7
TIN	23.0	22.0	6	284512-6
TIN	19.5	18.5	5	284512-5
TIN	16.0	15.0	4	284512-4
TIN	12.5	11.5	3	284512-3
TIN	9.0	8.0	2	284512-2



RECOMMENDED PC BOARD LAYOUT

<small>THIS DRAWING IS A CONTROLLED DOCUMENT FOR TYCO ELECTRONICS CORPORATION. IT IS SUBJECT TO CHANGE AND THE CONTROLLING ENGINEERING ORGANIZATION SHOULD BE CONTACTED FOR THE LATEST REVISION.</small>		DWN 06FEB2002 E. ZANOLINI CHK 06FEB2002 E. ZANOLINI APVD 06FEB2002 D. BIEVENOUR		Tyco Electronics Harrisburg, PA 17105-3608	
DIMENSIONS: mm 		TOLERANCES UNLESS OTHERWISE SPECIFIED: 0 PLC ±.3 1 PLC ±.3 2 PLC ±.25 3 PLC ±. 4 PLC ±. ANGLES ±2		NAME TERMINAL BLOCK, HEADER ASSEMBLY 90 DEGREE, CLOSED ENDS 3.5mm PITCH	
MATERIAL 1		FINISH 1		PRODUCT SPEC 108-20166 APPLICATION SPEC 114-20079 WEIGHT -	
CUSTOMER DRAWING		SCALE 4:1		SHEET 1 OF 1 REV E2	