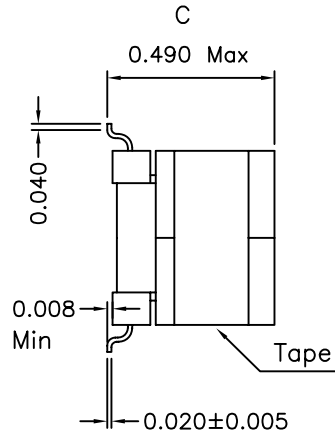
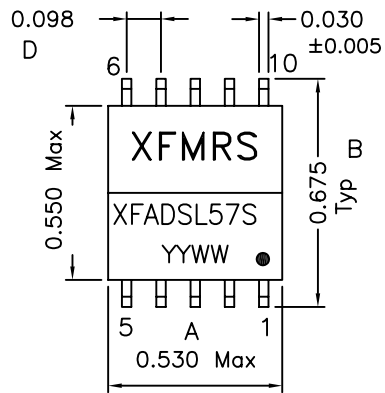
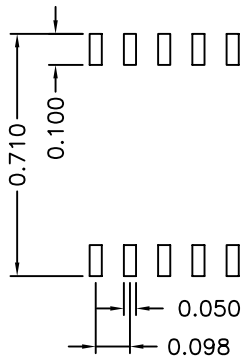


1. Mechanical Dimensions:



CO-PLANARITY: 0.004 Max



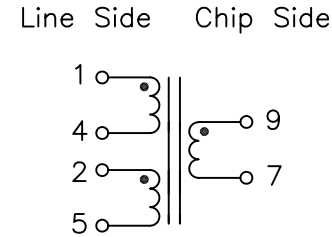
Suggested PCB Layout

Notes:

1. Solderability: Leads shall meet MIL-STD-202, Method 208D for solderability.
2. Flammability: UL94V-0
3. ASTM oxygen index: > 28%
4. Temperature rating: 155°C. UL file E151556
5. Operating Temperature Range: -40°C to +85°C
6. Designed to meet the requirements of IEC 60950 Supplementary Insulation with 250 working volts.

DOC. REV A/1

2. Schematic:



3. Electrical Specifications: @25°C

OCL: Pins 1-5 3.0mH±10% @10KHz 0.1V, Tie 2+4

LL: Pins 1-5 45uH Max @100KHz 0.1V,
Tie 2+4 and 9+7

DCR: Pins 9-7 0.215±10% Ohms

DCR: Pins 1-4 1.200±10% Ohms

DCR: Pins 2-5 1.200±10% Ohms

Turns Ratio: Pins (1-5):(9-7)=4.25:1±1%

Isolation Voltage: 1875Vac, Pins 1-9

THD: -74.0dB Max @10KHz 2.5Vrms, Line:IC

Cww: Pins 1-9 12.0pF Max @100KHz 0.1V,
Tie 1,2,4,5 and 7,9

XFMRs Inc	Title: LINE TRANSFORMER			
	UNLESS OTHERWISE SPECIFIED TOLERANCES: .xxx ±0.010 Dimensions in INCH		P/N: XFADSL57S	REV. A
	DWN.	李小锋	May-23-03	
	CHK.	康玉坤	May-23-03	
SHEET 1 OF 1	APP.	BW	May-23-03	