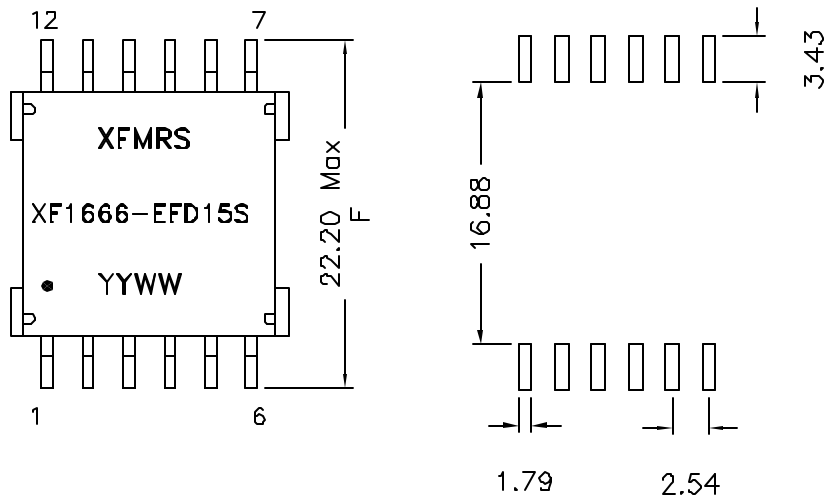
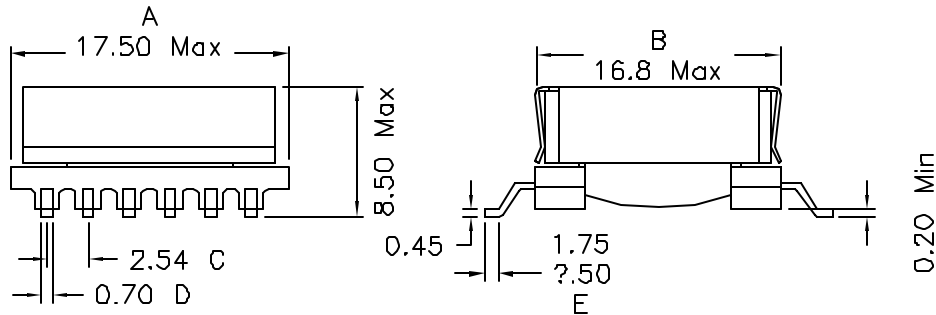


## 1. Mechanical Dimensions:



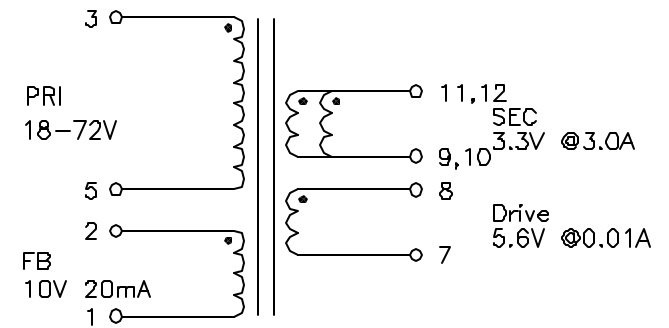
Suggested PCB Layout

### Notes:

- Solderability: Leads shall meet MIL-STD-202C, Method 208H for solderability.
- Flammability: UL94V-0
- ASTM oxygen index: > 28%
- Insulation System: Class F 155°C, UL file E151556
- Operating Temperature Range: All listed parameters are to be within tolerance from -40°C to +85°C
- Storage Temperature Range: -55°C to +125°C
- Aqueous wash compatible
- SMD Lead Coplanarity:  $\pm 0.004"$  (0.102mm)
- Electrical and mechanical specifications 100% tested
- RoHS Compliant Component

DOC REV: A/1

## 2. Schematic:



## 3. Electrical Specifications:

- OCL: Pins 3-5 166.5uH $\pm 10\%$  @100KHz 0.10V
- OCL: Pins 3-5 150uH Min @100KHz 0.10V, 1.20Adc
- LL: Pins 3-5 2.5uH Max @100KHz 0.10V Short all else
- Q: Pins 3-5 30 Min @100KHz 0.10V
- DCR: Pins 3-5 0.770 Ohms Max
- DCR: Pins 11,12-9,10 0.020 Ohms Max
- DCR: Pins 8-7 0.560 Ohms Max
- DCR: Pins 2-1 1.12 Ohms Max
- URNS RATIO: Pins (3-5):(11,12-9,10)=6.5:1
- URNS RATIO: Pins (3-5):(8-7)=3.7:1
- URNS RATIO: Pins (3-5):(2-1)=2.0:1
- HIPOT: 1500Vac, PRI & FB to SEC
- HIPOT: 300Vac, PRI to FB, All Wdgs to Core

<b>XFMRS, Inc</b> www.XFMRS.com	Title: <b>TRANSFORMER</b>		
UNLESS OTHERWISE SPECIFIED TOLERANCES: .xx $\pm 0.20$ Dimensions in MM	P/N: XF1666-EFD15S		REV. A
	DWN.	Juan Mao	Apr-09-08
	CHK.	YK Liao	Apr-09-08
Scale 2.5:1 SHT 1 OF 1	APP.	BW	Apr-09-08