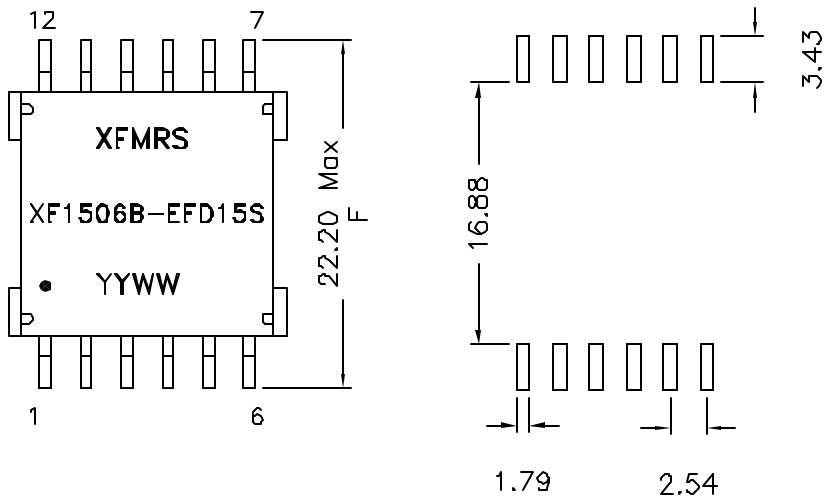
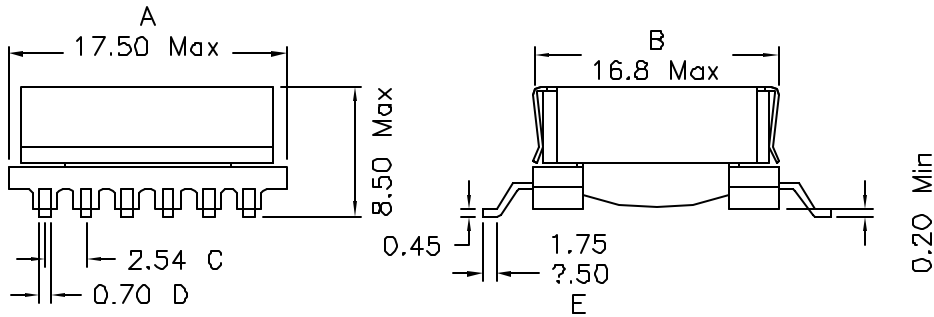


1. Mechanical Dimensions:

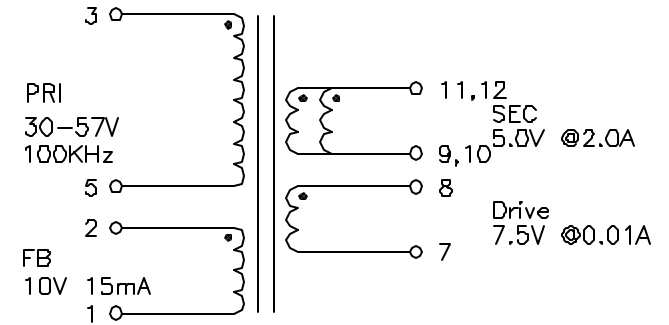


Notes:

- Solderability: Leads shall meet MIL-STD-202G, Method 208H for solderability.
- Flammability: UL94V-0
- ASTM oxygen Index: > 28%
- Insulation System: Class F 155°C. UL file E151556
- Operating Temperature Range: All listed parameters are to be within tolerance from -40°C to +85°C
- Storage Temperature Range: -55°C to +125°C
- Aqueous wash compatible
- SMD Lead Coplanarity: $\pm 0.004^{\circ}$ (D.102mm)
- Electrical and mechanical specifications 100% tested
- RoHS Compliant Component

DOC REV: A/1

2. Schematic:



3. Electrical Specifications:

- OCL: Pins 3-5 150uH \pm 10% @100KHz 0.10V
- OCL: Pins 3-5 137.5uH Min @100KHz 0.10V, 1.20Adc
- LL: Pins 3-5 2.0uH Max @100KHz 0.10V Short all else
- Q: Pins 3-5 30 Min @100KHz 0.10V
- DCR: Pins 3-5 0.500 Ohms Max
- DCR: Pins 11,12-9,10 0.025 Ohms Max
- DCR: Pins 8-7 0.760 Ohms Max
- DCR: Pins 2-1 1.30 Ohms Max
- TURNS RATIO: Pins (3-5):(11,12-9,10)=5:1
- TURNS RATIO: Pins (3-5):(8-7)=3.33:1
- TURNS RATIO: Pins (3-5):(2-1)=2.5:1
- HIPOT: 500Vac, PRI & FB to SEC
- HIPOT: 500Vac, PRI to FB, All Wdgs to Core

XFMRs, Inc www.XFMRs.com	Title: TRANSFORMER		
UNLESS OTHERWISE SPECIFIED TOLERANCES: .xx \pm 0.20 Dimensions in MM	P/N: XF1506B-EFD15S	REV. A	
	DWN.	Juan Mao	May-29-08
	CHK.	YK Liao	May-29-08
Scale 2.5:1 SHT 1 OF 1	APP.	BW	May-29-08

PROPRIETARY Document is the property of XFMRs Group & is not allowed to be duplicated without authorization.