

FEATURES

OMT25- Series

- Two mounting methods: flange or panel mount
- Three different tones and combinations available
- Small size with rich sound output

OMT200-, OMT260-, OMT35- Series

- Flange mounting with two lead wires
- Small size and lightweight
- Rich sound output and low current drain

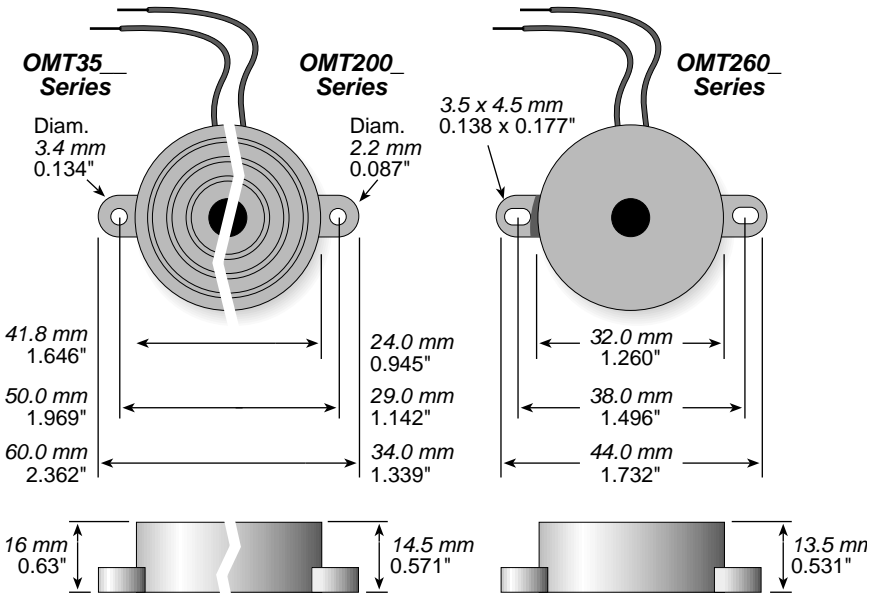
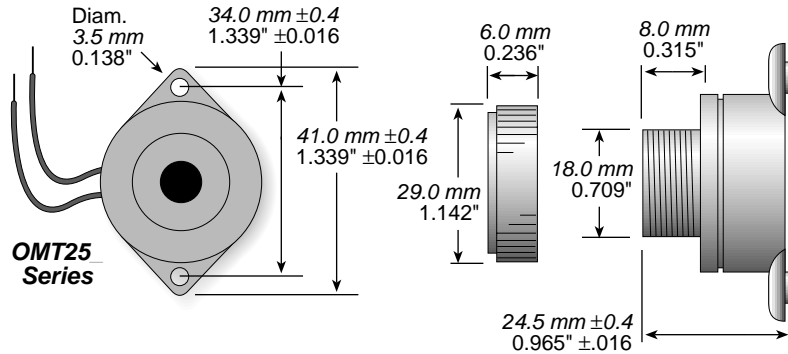
ALL

- Operating temperature - 20°C~60°C; Storage temperature -30°C~70°C

Piezo Audio Indicators

Flange Mounting/Panel Mounting Types

**This product has been
DISCONTINUED**



Model No.	Oscillating frequency (Hz ±500)	Operating voltage	Sound pressure @30cm/12vdc (dB min.)	Current consumption (mA max.)	Tone*	Weight (g)
✓ OMT200	3100	3-20 DC	78	12 [†]	Continuous	4.5
⊕ OMT200L	3100	3-20 DC	93	5 [†]	Continuous	4.5
⊕ OMT250	3500	4-28 DC	87	8	Continuous	10.2
⊕ OMT251	3500	4-28 DC	85	5	Fast pulse	10.2
✓ OMT253	3500	4-28 DC	87	6	Slow pulse	10.2
✓ OMT255	3500	4-28 DC	90	8	Cont. & F. P.	10.2
✓ OMT257	3500	4-28 DC	90	8	Cont. & S. P.	10.2
✓ OMT260	3500	3-28 DC	88	5 [†]	Continuous	15
✓ OMT260L	3500	3-20 DC	93	8 [†]	Continuous	15
⊕ OMT350	2800	3-28 DC	85	8	Continuous	14.6
✓ OMT350L	2800	3-20 DC	92	12	Continuous	14.6
✓ OMT351	2800	3-28 DC	81	6	Pulse	14.6
✓ OMT351L	2800	3-20 DC	88	8	Pulse	14.6

⊕ = Most popular stock values

✓ = Stock values

⊕ = Non-stock values subject to minimum handling charge per item

* Pulse rate at 12VDC: Fast, 3.0 Hz ±20%; Slow, 1.2 Hz ±20% † at 12 VDC