

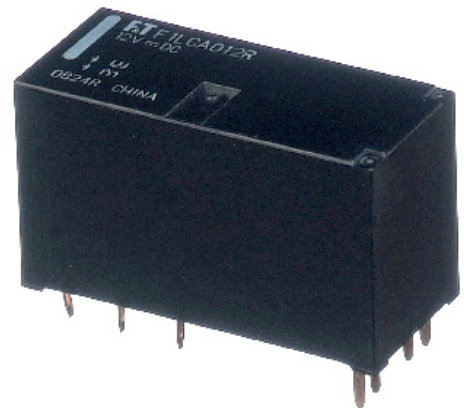
# POWER RELAY

## 2 POLES - 8A Polarized Latching Relay

### FTR-F1L Series

#### ■ FEATURES

- Low profile (height: 16.5mm)
- High insulation  
Insulation distance (between coil and contacts): 8mm min.  
Dielectric strength: 5KV  
Surge strength: 10KV
- Plastic materials  
- UL94 Flammability class V-0
- Cadmium free relay
- RoHS compliant  
Please see page 4 for more information



#### ■ PARTNUMBER INFORMATION

[Example]      FTR-F1    L    D    C    A    012    R  
                   (a)    (b)    (c)    (d)    (e)    (f)    (g)

(a)	Relay type	FTR-F1L: FTR-F1L Series
(b)	Operating function	L : Latching type
(c)	Coil type	Nil : 1 Coil D : 2 Coil
(d)	Contact configuration	A : 2 form A C : 2 form C
(e)	Coil power	A : Standard, 400mW (1Coil) 600mW (2 Coil)
(f)	Coil rated voltage	012 : 5.....24 VDC Coil data table at page 2
(g)	Contact rating	R : 8A

Actual marking does not carry the type name : "FTR"

E.g.: Ordering code: FTR-F1LDCA012R      Actual marking: F1LDCA012R

# FTR-F1L SERIES

## ■ SPECIFICATION

Item	FTR-F1L		
Contact Data	Configuration	2 form A, 2 form C	
	Construction	Single	
	Material	AgSnO <sub>2</sub>	
	Resistance (initial)	≤ 100mOhm at 1A, 6VDC	
	Contact rating	8A, 250VAC / 24VDC	
	Max. carrying current	8A	
	Max. switching voltage	400VAC, 300VDC	
	Max. switching power	2,000VA, 192W	
	Min. switching load *	10mA, 5VDC	
Life	Mechanical	3 x 10 <sup>6</sup> operations minimum	
	Electrical	50 x 10 <sup>3</sup> operations minimum	
Coil Data	Rated power (20 °C)	1 coil : 400mW 2 coils: 600mW	
	Operating temperature range	-40 °C to +85 °C (no frost)	
Timing Data	Set / reset (at nominal voltage)	≤ 15ms (no diode, no bounce)	
	Coil exitation	≥ 30ms (no diode, no bounce)	
Insulation	Resistance (initial)	≥ 1,000MOhm at 500VDC	
	Dielectric strength	Open contacts	1,000VAC, 1min. 50/60Hz
		Adjacent contacts	3,000VAC, 1min. 50/60Hz
		Coil to contacts	5,000VAC, 1 min. 50/60Hz
	Surge strength	coil to contacts	10,000V/ 1.2 x 50μs standard wave
	Clearance		8mm
Creepage		8mm	
Other	Vibration resistance	Misoperation >1μs	10 to 55Hz double amplitude 1.65 mm
		Endurance	10 to 55Hz double amplitude 3.3 mm
	Shock	Misoperation >1μs	Min. 200m/s <sup>2</sup> (11±1ms)
		Endurance	Min. 1,000m/s <sup>2</sup> (6±1ms)
	Weight		Approximately 13g

\* Minimum switching loads mentioned above are reference values. Please perform the confirmation test with actual load before production since reference values may vary according to switching frequencies, environmental contions and expected reliability levels.

## ■ COIL DATA

Coil Code	1 coil			2 coils		
	Operating range		Coil Resistance +/- 10% (Ohm)	Operating range		Coil Resistance +/- 10% (Ohm)
	Min. VDC	Max. VDC		Min. VDC	Max. VDC	
5	3.5	9	62.5	3.5	9	41.7
12	8.4	21.2	360	8.4	21.2	240
24	16.8	42.2	1,440	16.8	42.2	960

Note: All values in the table are valid for 20°C and zero contact current.

\* Specified operate values are valid for pulse wave voltage.

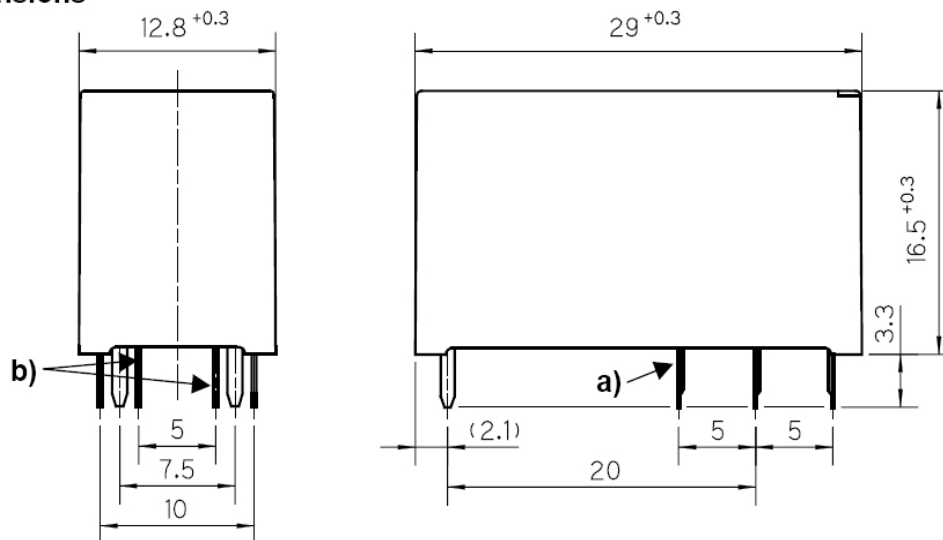
# FTR-F1L SERIES

## ■ COIL POLARITY

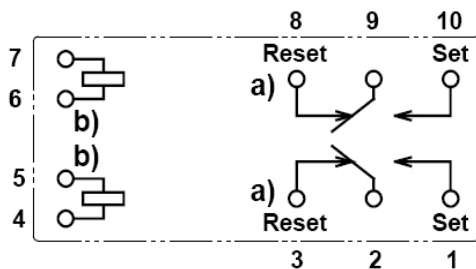
Version	1 coil		2 coils			
Coil terminal division	4	7	4	5	6	7
Set	-	+			-	+
Reset	+	-	+	-		

## ■ DIMENSIONS

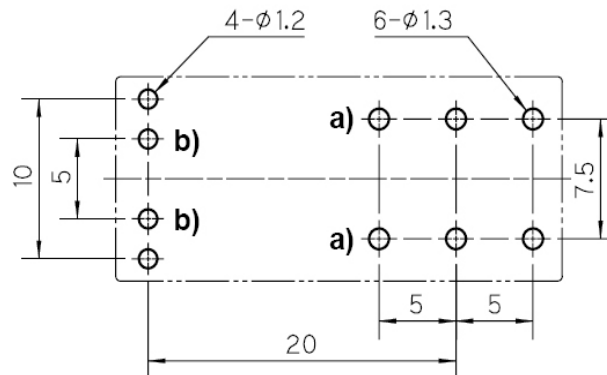
### ● Dimensions



### ● Schematics (BOTTOM VIEW)



### ● PC board mounting hole layout (BOTTOM VIEW)



a) for 2 form C version only  
b) for 2 coils version only

Unit : mm

## RoHS Compliance and Lead Free Information

### 1. General Information

- All signal and power relays produced by Fujitsu Components are compliant with RoHS directive 2002/95EC including amendments.
- Cadmium as used in electrical contacts is exempted from the RoHS directives on October 21st, 2005. (Amendment to Directive 2002/95/EC)
- All of our signal and power relays are lead-free. Please refer to Lead-Free Status Info for older date codes at: <http://www.fujitsu.com/us/downloads/MICRO/fcai/relays/lead-free-letter.pdf>
- Lead free solder plating on relay terminals is Sn-3.0Ag-0.5Cu, unless otherwise specified. This material has been verified to be compatible with PbSn assembly process.

### 2. Recommended Lead Free Solder Profile

- Recommended solder Sn-3.0Ag-0.5Cu.

**Flow Solder condition:**

Pre-heating: maximum 120°C  
Soldering: dip within 5 sec. at  
260°C solder bath

**Solder by Soldering Iron:**

Soldering Iron  
Temperature: maximum 360°C  
Duration: maximum 3 sec.

**We highly recommend that you confirm your actual solder conditions**

### 3. Moisture Sensitivity

- Moisture Sensitivity Level standard is not applicable to electromechanical relays, unless otherwise indicated.

### 4. Tin Whiskers

- Dipped SnAgCu solder is known as presenting a low risk to tin whisker development. No considerable length whisker was found by our in house test.

## Fujitsu Components International Headquarter Offices

### Japan

Fujitsu Component Limited  
Gotanda-Chuo Building  
3-5, Higashigotanda 2-chome, Shinagawa-ku  
Tokyo 141, Japan  
Tel: (81-3) 5449-7010  
Fax: (81-3) 5449-2626  
Email: [promothq@ft.ed.fujitsu.com](mailto:promothq@ft.ed.fujitsu.com)  
Web: [www.fcl.fujitsu.com](http://www.fcl.fujitsu.com)

### North and South America

Fujitsu Components America, Inc.  
250 E. Caribbean Drive  
Sunnyvale, CA 94089 U.S.A.  
Tel: (1-408) 745-4900  
Fax: (1-408) 745-4970  
Email: [components@us.fujitsu.com](mailto:components@us.fujitsu.com)  
Web: <http://us.fujitsu.com/components>

### Europe

Fujitsu Components Europe B.V.  
Diamantlaan 25  
2132 WV Hoofddorp  
Netherlands  
Tel: (31-23) 5560910  
Fax: (31-23) 5560950  
Email: [info@fceu.fujitsu.com](mailto:info@fceu.fujitsu.com)  
Web: [emea.fujitsu.com/components/](http://emea.fujitsu.com/components/)

### Asia Pacific

Fujitsu Components Asia Ltd.  
102E Pasir Panjang Road  
#01-01 Citilink Warehouse Complex  
Singapore 118529  
Tel: (65) 6375-8560  
Fax: (65) 6273-3021  
Email: [fcal@fcal.fujitsu.com](mailto:fcal@fcal.fujitsu.com)  
Web: <http://www.fujitsu.com/sg/services/micro/components/>

©2009 Fujitsu Components Europe B.V. All rights reserved. All trademarks or registered trademarks are the property of their respective owners.

The contents, data and information in this datasheet are provided by Fujitsu Component Ltd. as a service only to its user and only for general information purposes.

The use of the contents, data and information provided in this datasheet is at the users' own risk.

Fujitsu has assembled this datasheet with care and will endeavor to keep the contents, data and information correct, accurate, comprehensive, complete and up to date.

Fujitsu Components Europe B.V. and affiliated companies do however not accept any responsibility or liability on their behalf, nor on behalf of its employees, for any loss or damage, direct, indirect or consequential, with respect to this datasheet, its contents, data, and information and related graphics and the correctness, reliability, accuracy, comprehensiveness, usefulness, availability and completeness thereof.

Nor do Fujitsu Components Europe B.V. and affiliated companies accept on their behalf, nor on behalf of its employees, any responsibility or liability for any representation or warrant of any kind, express or implied, including warranties of any kind for merchantability or fitness for particular use, with respect to these datasheets, its contents, data, information and related graphics and the correctness, reliability, accuracy, comprehensiveness, usefulness, availability and completeness thereof. Rev. November 5, 2009