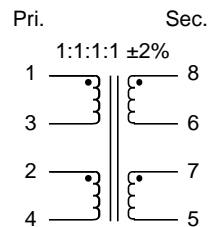


- Used in RADSL Tranceiver
- 3000 Vrms Minimum Isolation
- Operating Temperature Range : -40°C to +85°C

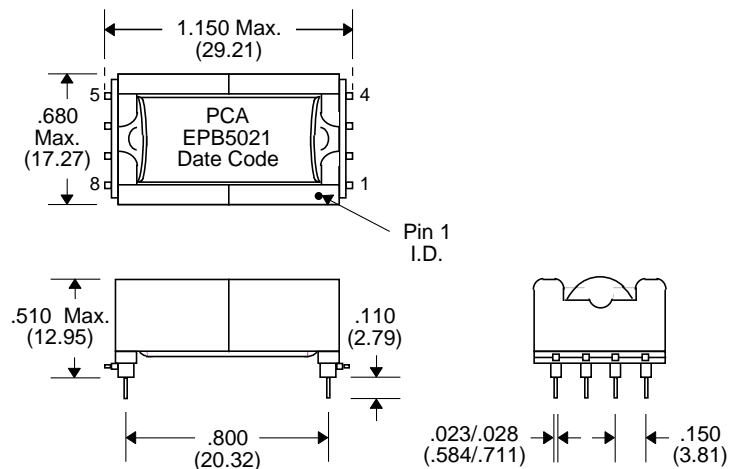
### Electrical Parameters @ 25° C

Inductance ( $\mu\text{H} \pm 5\%$ )	Interwinding Capacitance (pF Max.)	Leakage Inductance ( $\mu\text{H}$ Max.)	DCR ( Max.)
@ 10 KHz, 0.5 Vrms	@ 10 KHz, 0.5 Vrms	@ 10 KHz, 0.5 Vrms	
440	45	10	1.5
Pins 1-4, 2-3 shorted	Between Pri.to Sec. Wdg.	Pins 1-4, 2-3 shorted	Pins 1-4, 2-3 shorted
		Sec. Wdg. shorted	Pins 5-8, 6-7shorted

### Schematic



### Package



Unless Otherwise Specified Dimensions are in Inches /mm  $\pm .010 / .25$