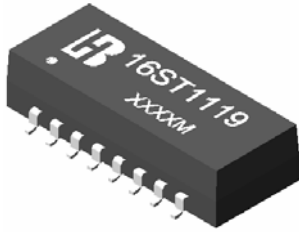


10/100BASE-T SINGLE PORT TRANSFORMER MODULES

P/N: 16ST1119 DATA SHEET

Feature

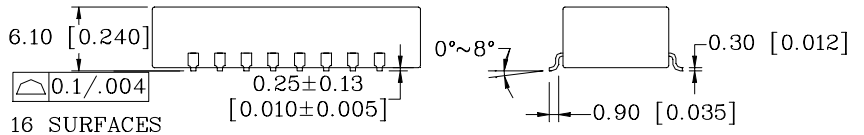
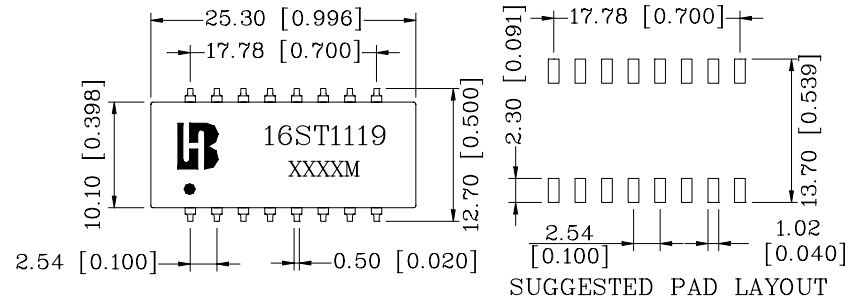
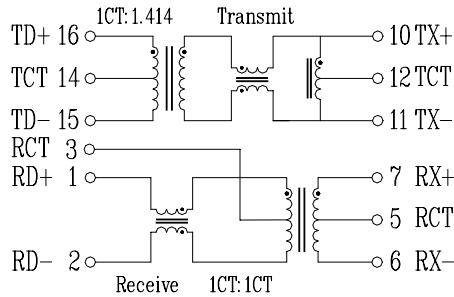


- Meets all IEEE802.3 and ANSI X3.263 standards including 350uH OCL with 8mA Bias.
- Designed for use with transceivers from AMD•KENDIN Semiconductor•and Quality Semiconductor.
- IC grade transfer-molded package suitable for reflow soldering temperatures up to 235°C.
- Patented interlock base construction for high reliability.
- Operating temperature range:0°C to +70°C.
- Storage temperature range:-25°C to +125°C.

Electrical Specifications @ 25°C									
Part Number	Turns Ratio (±5%)		Insertion Loss (dB Max)	Return Loss (dB Min)			Cross Talk (dB Min)		HI-POT (Vrms)
	RX	TX		30MHz	60MHz	80MHz	0.3-60MHz	60-100MHz	
16ST1119	1CT:1CT	1CT:1.414	-2.0	-16	-11	-10	-45	-35	1500

Schematic

Mechanical



Units: mm[Inches] Tolerances: xx.x0±0.25[0.010]

0.xx±0.05[0.002]