

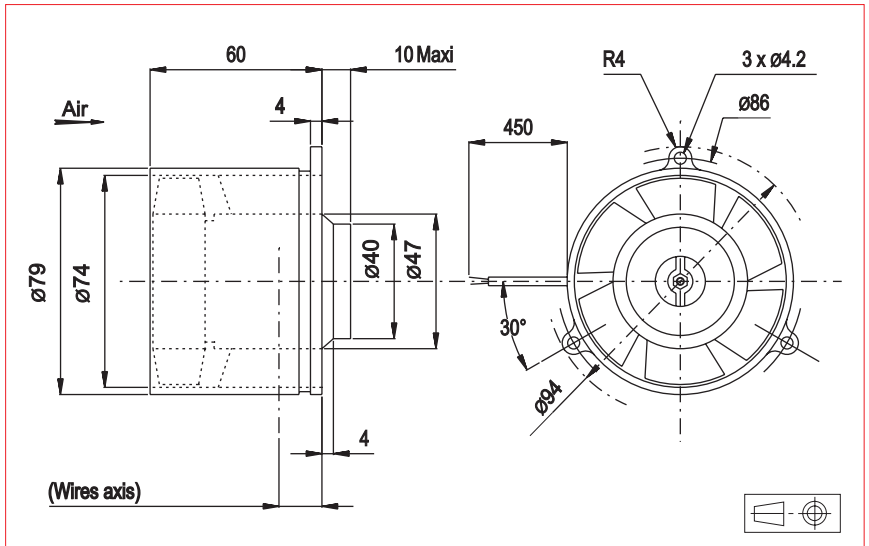
400Hz Fans



Approvals

Life expectancy

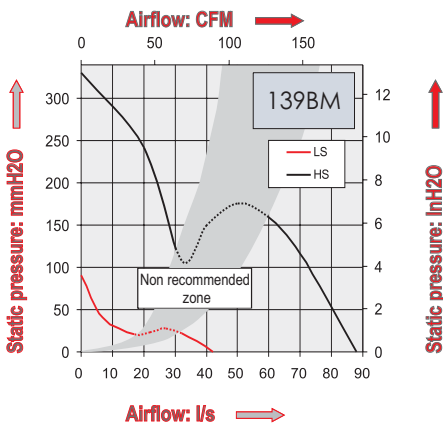
L-10 LIFE AT 40°C:
25 000 hours



400 Hz Motor

Housing material: aluminium
Impeller material: aluminium
Weight: 610 g
Bearing system: ball bearings

Connection: flying leads



Part Number	Nominal voltage	Airflow	Noise level	Nominal speed	Phases	Capacitor (not included)	Input power	Nominal Current	Starting Current	Operating temperature	
	V	l/s	dB(A)	RPM		µF	W	mA	mA	Min.°C	Max.°C
139BM0460005	200	42	67	11500	3		55	450	1500	-40	90
		88	83	23000	3		200	1000	5200	-40	90

Additional versions:
Salt spray protected - Shock and vibration protected - Marine specifications
Wide temperature range

