



# TAI-SAW TECHNOLOGY CO., LTD.

No. 3, Industrial 2nd Rd., Ping-Chen Industrial District,  
Taoyuan, 324, Taiwan, R.O.C.  
TEL: 886-3-4690038 FAX: 886-3-4697532  
E-mail: [tstsales@mail.taisaw.com](mailto:tstsales@mail.taisaw.com) Web: [www.taisaw.com](http://www.taisaw.com)

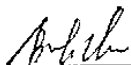
## Product Specifications Approval Sheet

Product Description: SAW Filter 1575.42 MHz SMD 1.4X1.1 mm

TST Part No.: TA0796A

Customer Part No.: \_\_\_\_\_

Customer signature required
Company: _____
Division: _____
Approved by : _____
Date: _____

Checked by: \_\_\_\_\_ Bob Chau 

Approved by: \_\_\_\_\_ Francis Chen 

Date: \_\_\_\_\_ 12, 21, 2009

1. Customer signed back is required before TST can proceed with sample build and receive orders.
2. Orders received without customer signed back will be regarded as agreement on the specifications.
3. Any specifications changes must be approved upon by both parties and a new revision of specifications shall be released to reflect the changes.



# TAI-SAW TECHNOLOGY CO., LTD.

No. 3, Industrial 2nd Rd., Ping-Chen Industrial District,  
Taoyuan, 324, Taiwan, R.O.C.

TEL: 886-3-4690038 FAX: 886-3-4697532

E-mail: [tstsales@mail.taisaw.com](mailto:tstsales@mail.taisaw.com) Web: [www.taisaw.com](http://www.taisaw.com)

## SAW Filter 1575.42MHz

MODEL NO.:TA0796A

REV. NO.:4

### A. MAXIMUM RATING:

1. Input Power Level: 10 dBm
2. DC Voltage : 3V
3. Operating Temperature: -40°C to +85°C
4. Storage Temperature: -55°C to +95°C

RoHS Compliant  
Lead free  
Lead-free soldering

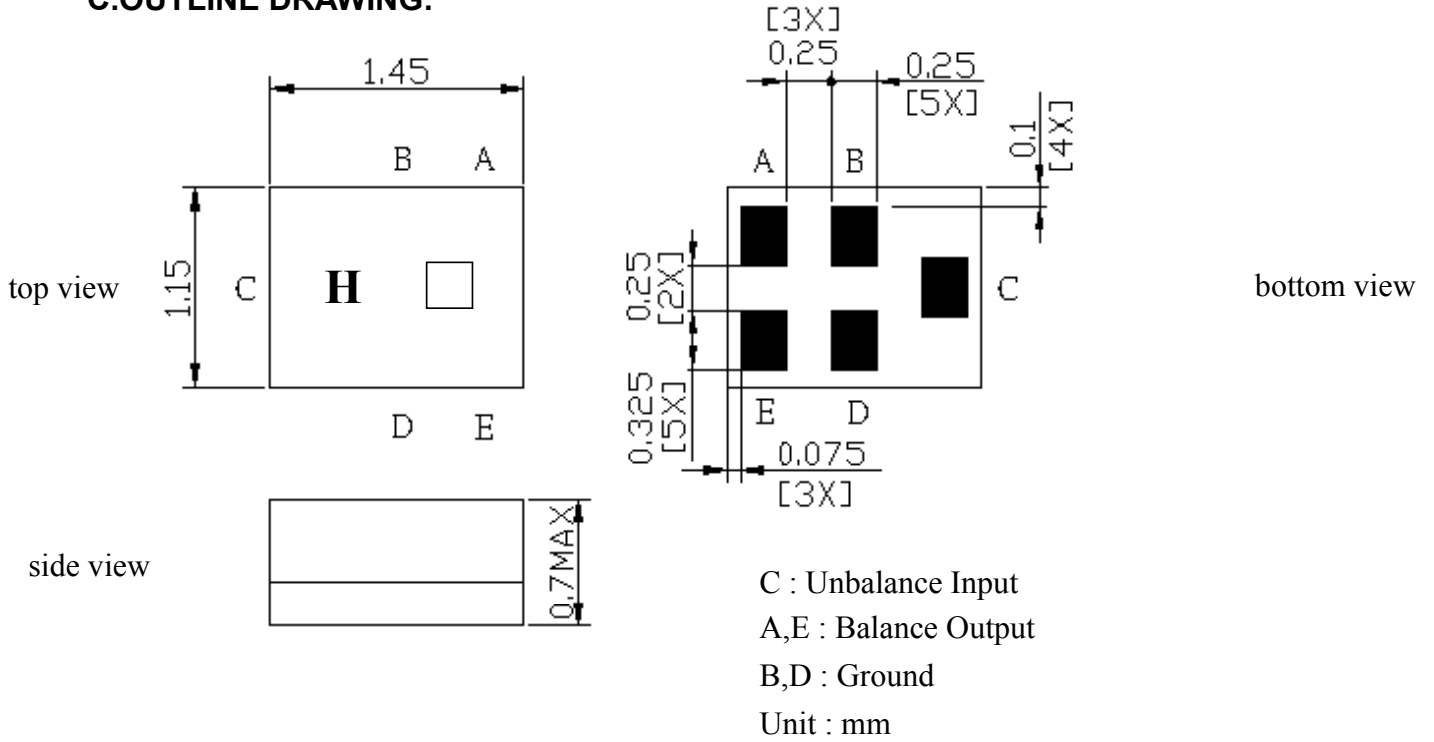
### B. ELECTRICAL CHARACTERISTICS:

Terminating source impedance (single-ended) :  $Z_s = 50 \Omega$

Terminating load impedance (differential) :  $Z_L = 100 \Omega$

Item	Unit	Min.	Type.	Max.	Note
<b>Center Frequency</b>	<b>Fc</b> MHz	-	1575.42	-	-
<b>Max. Insertion Loss</b> (1574.42~1576.42 MHz)	<b>IL</b> dB	-	1.7	2.3	-
<b>Amplitude ripple</b> (1574.42~1576.42 MHz)	dB	-	0.3	1	-
<b>VSWR</b> (1574.42~1576.42 MHz)		-	1.3	1.8	-
<b>Attenuation</b>					
100~960 MHz	dB	40	46	-	-
960~1425 MHz	dB	35	46	-	-
1425~1475 MHz	dB	30	51	-	-
1475~1515 MHz	dB	20	30	-	-
1515~1525 MHz	dB	17	30	-	-
1625~1635 MHz	dB	12	22.5	-	-
1635~1675 MHz	dB	20	25	-	-
1675~1750 MHz	dB	30	35	-	-
1750~1805 MHz	dB	35	42	-	-
1805~1980 MHz	dB	40	47	-	-
1980~2400 MHz	dB	35	40	-	-
2400~3155 MHz	dB	40	52	-	-
3155~6000 MHz	dB	35	52	-	-

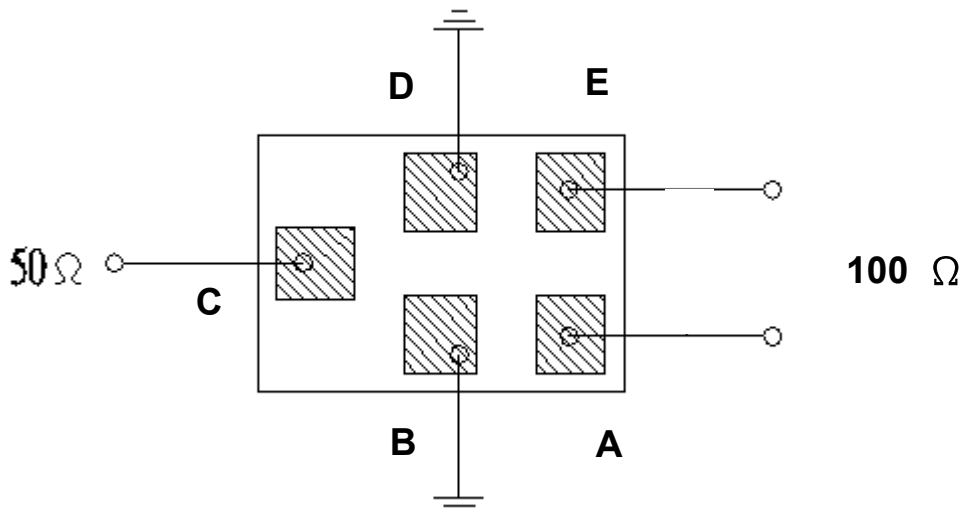
**C.OUTLINE DRAWING:**



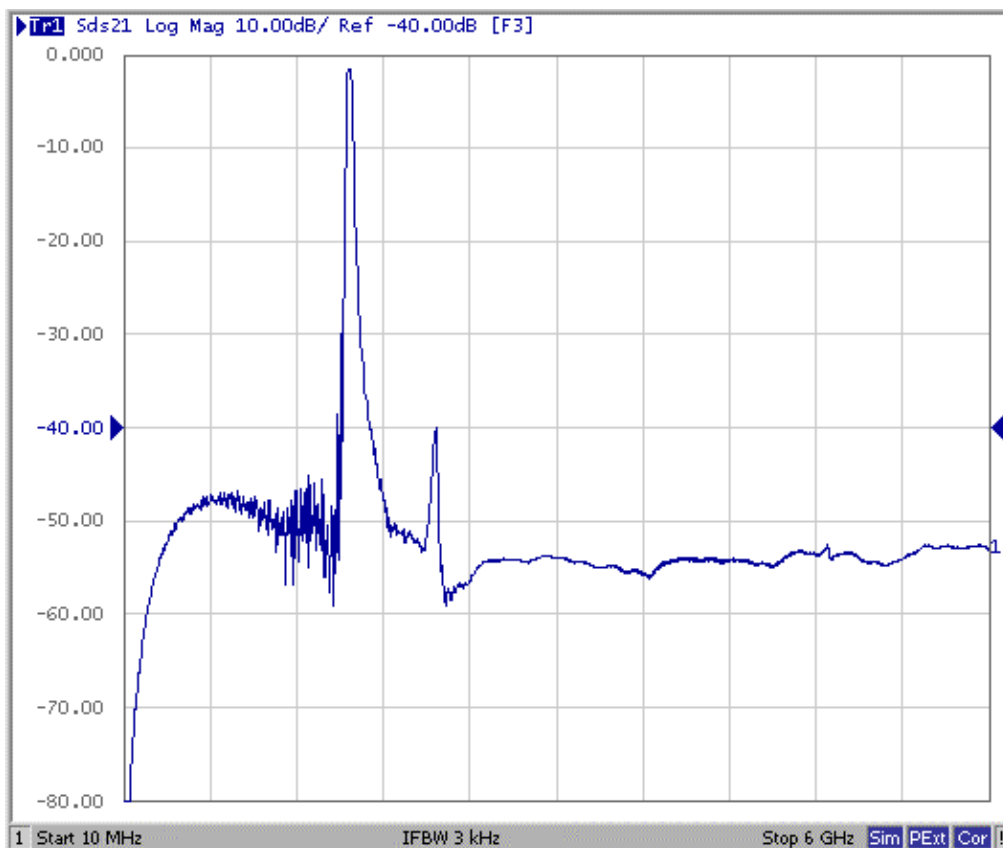
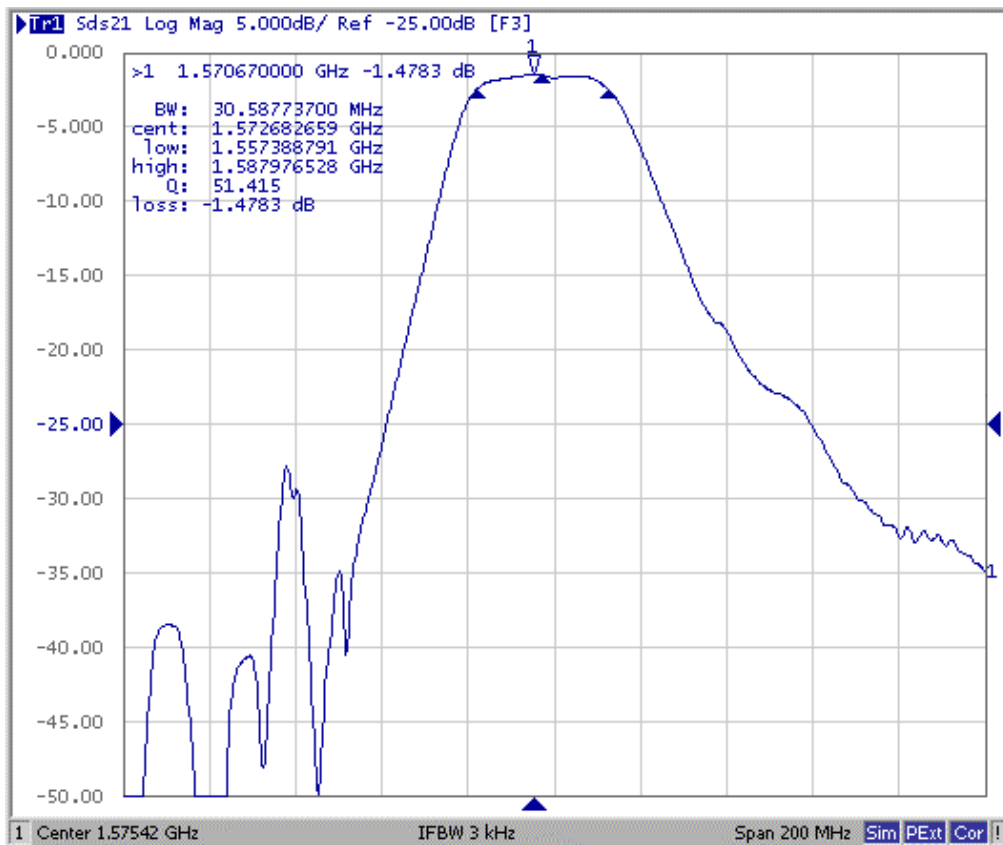
□ : Year/Month Code (Follow the table)

Year/Month	1	2	3	4	5	6	7	8	9	10	11	12
2009	A	B	C	D	E	F	G	H	J	K	L	M
2010	N	P	Q	R	S	T	U	V	W	X	Y	Z
2011	a	b	c	d	e	f	g	h	j	k	i	m
2012	n	p	q	r	s	t	u	v	w	x	y	z
2013	A	B	C	D	E	F	G	H	J	K	L	M
2014	N	P	Q	R	S	T	U	V	W	X	Y	Z

**D. MEASUREMENT CIRCUIT:**

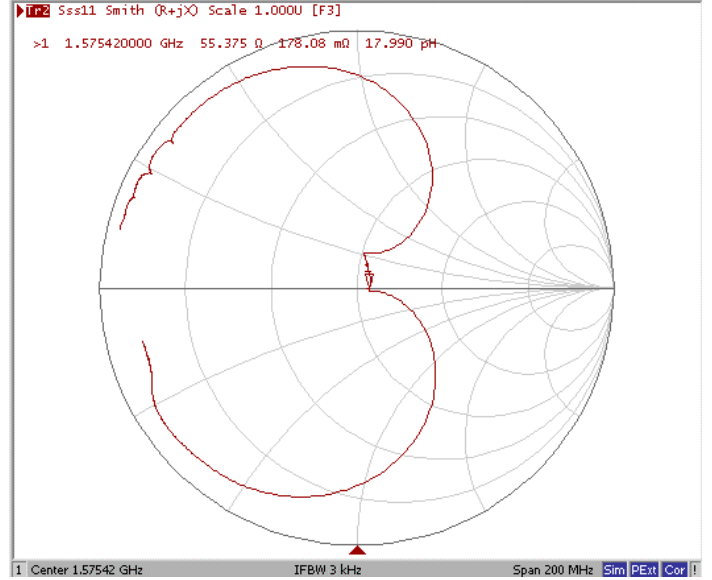
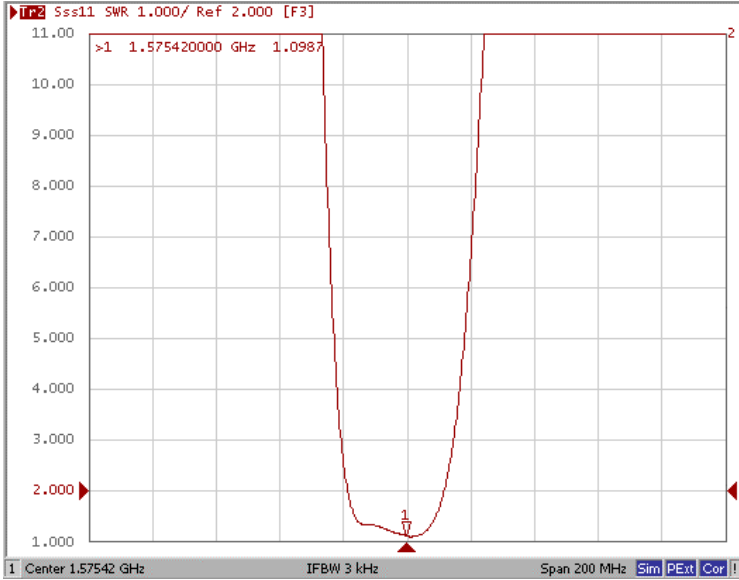


## E. Frequency Characteristics :

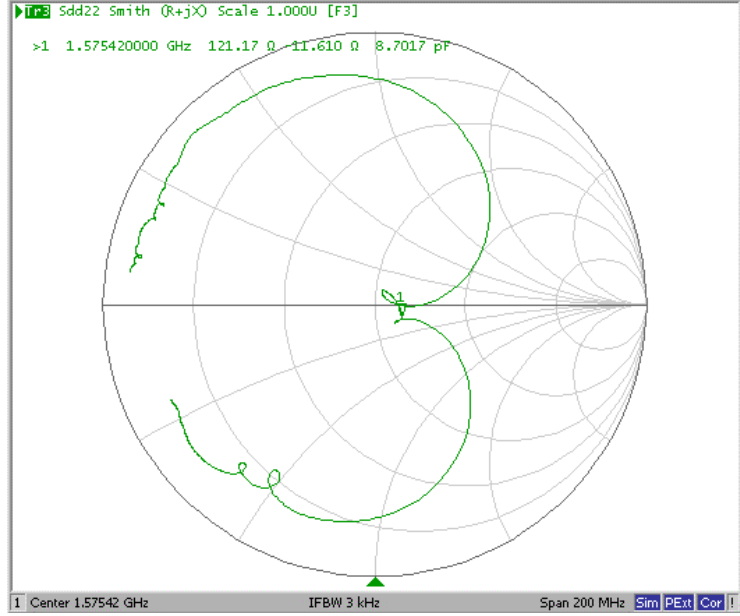
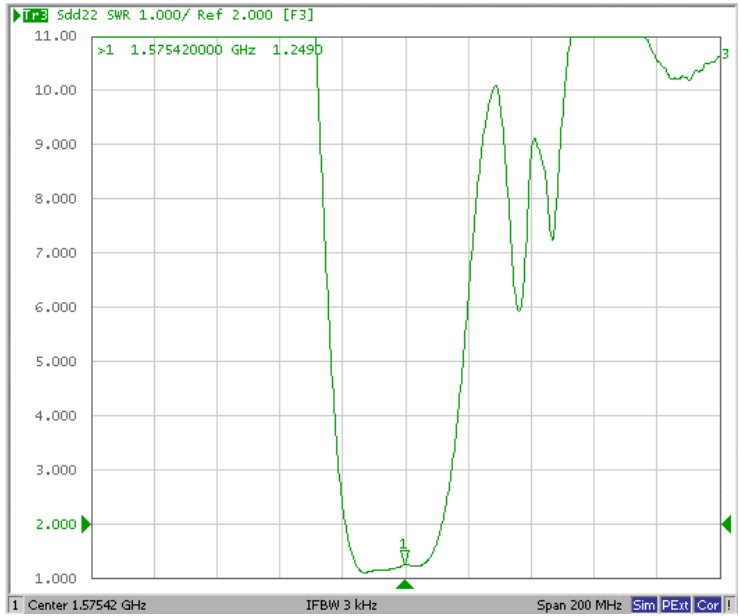


Reflection Functions :

# S11

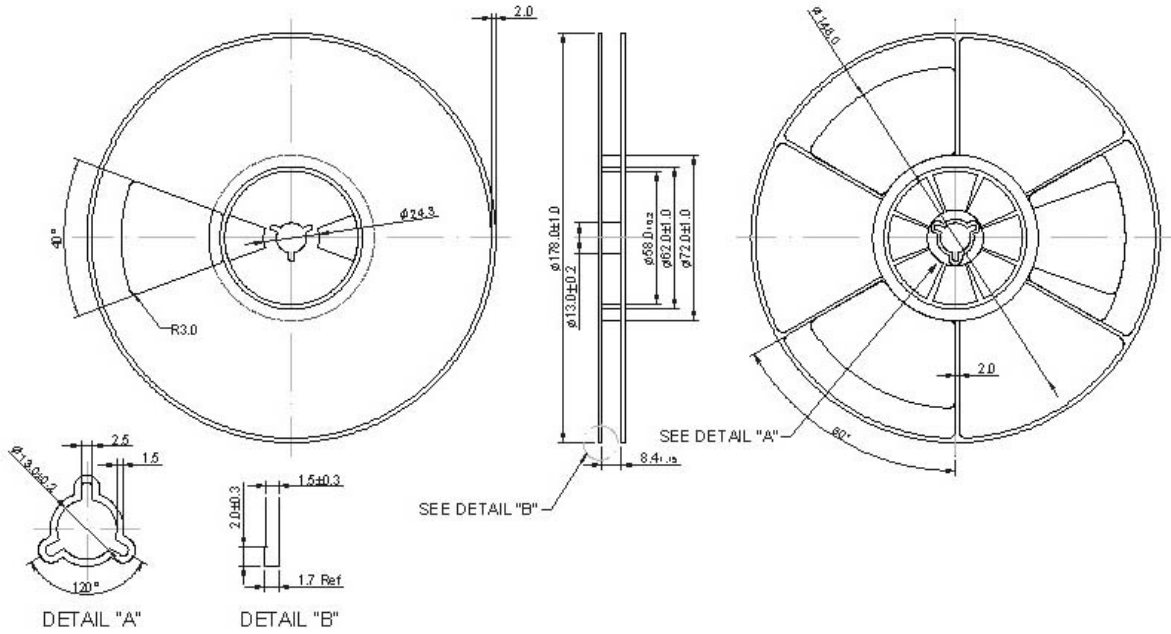


# S22

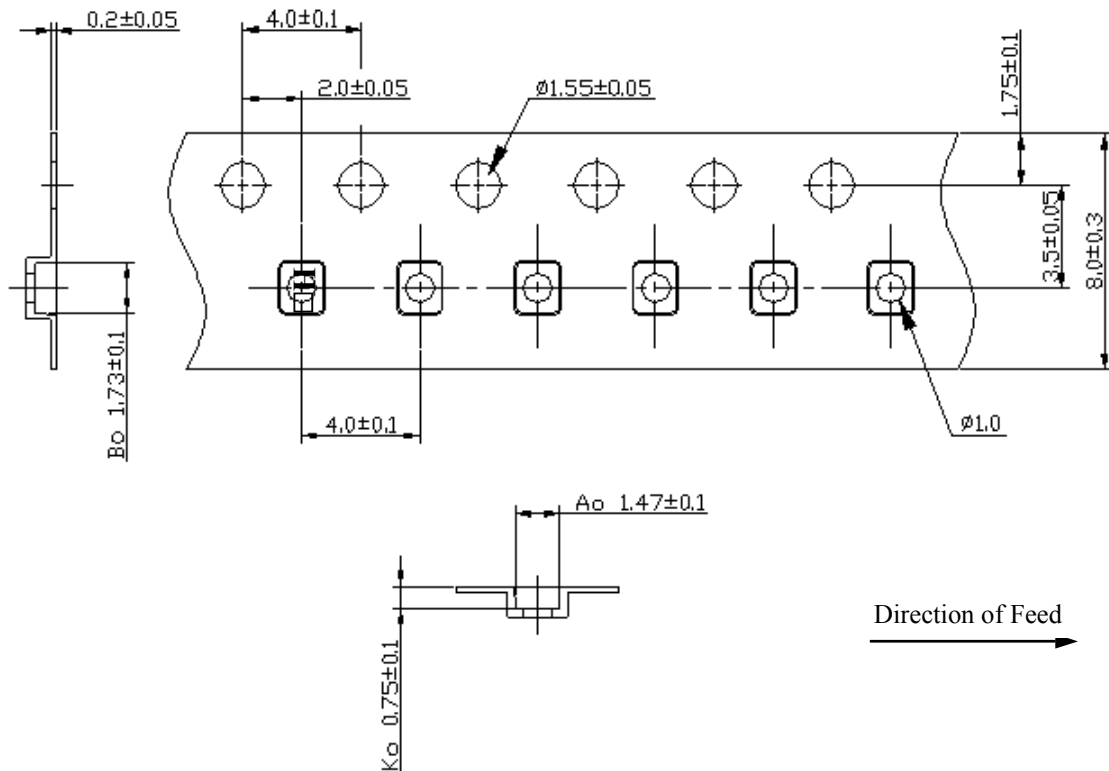


**F. PACKING:**

**1. REEL DIMENSION**



**2. TAPE DIMENSION**



**G. RECOMMENDED REFLOW PROFILE :**

