



TAI-SAW TECHNOLOGY CO., LTD.

No. 3, Industrial 2nd Rd., Ping-Chen Industrial District,
Taoyuan, 324, Taiwan, R.O.C.

TEL: 886-3-4690038 FAX: 886-3-4697532

E-mail: tstsales@mail.taisaw.com Web: www.taisaw.com

Approval Sheet For Product Specification

Issued Date: Oct, 23, 2007

Product Name: SAW Filter 1747.5 MHz SMD 3X3 mm

TST Parts No.:TA0762A

Customer Parts No.: _____

Company: _____
Division: _____
Approved by : _____
Date: _____

Checked by: _____ Anne Chen

Approval by: _____ Francis Chen

Date: _____ 10, 23, 2007



TAI-SAW TECHNOLOGY CO., LTD.

No. 3, Industrial 2nd Rd., Ping-Chen Industrial District,
Taoyuan, 324, Taiwan, R.O.C.

TEL: 886-3-4690038 FAX: 886-3-4697532

E-mail: tstsales@mail.taisaw.com Web: www.taisaw.com

SAW Filter 1747.5 MHz for PCN

MODEL NO.: TA0762A

REV. NO.:1

A. MAXIMUM RATING:

1. Input Power Level: +20 dB_m
2. DC voltage: 0 V
3. Operating Temperature: -20°C to +70°C
4. Storage Temperature: -40°C to +85°C

RoHS Compliant
Lead free
Lead-free soldering

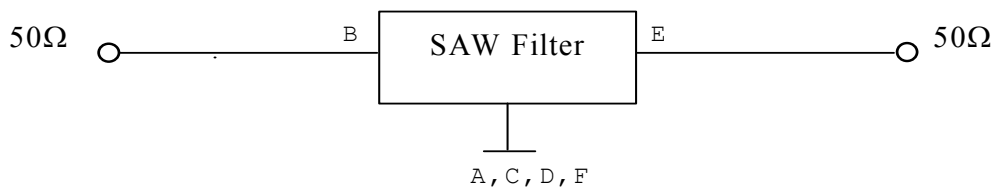
B. ELECTRICAL CHARACTERISTICS:

Item		Min.	Typ.	Max.
Center frequency	F_c (MHz)	-	1747.5	-
Insertion loss (1710~1785 MHz)	IL (dB)	-	2.6	4.0
Amplitude ripple (1710~1785 MHz)	(dB)	-	1.6	2.5
Attenuation (Reference level from 0 dB)				
10 ~ 1670	MHz (dB)	15	23	-
1670 ~ 1690	MHz (dB)	6	23.9	-
1805 ~ 1880	MHz (dB)	6	24	-
1880 ~ 4500	MHz (dB)	15	25	-
4500 ~ 5000	MHz (dB)	10	14	-
Input/Output VSWR (1710~1785 MHz)		-	1.8	2.5
Source impedance	Z _s (Ω)	-	50	-
Load impedance	Z _L (Ω)	-	50	-

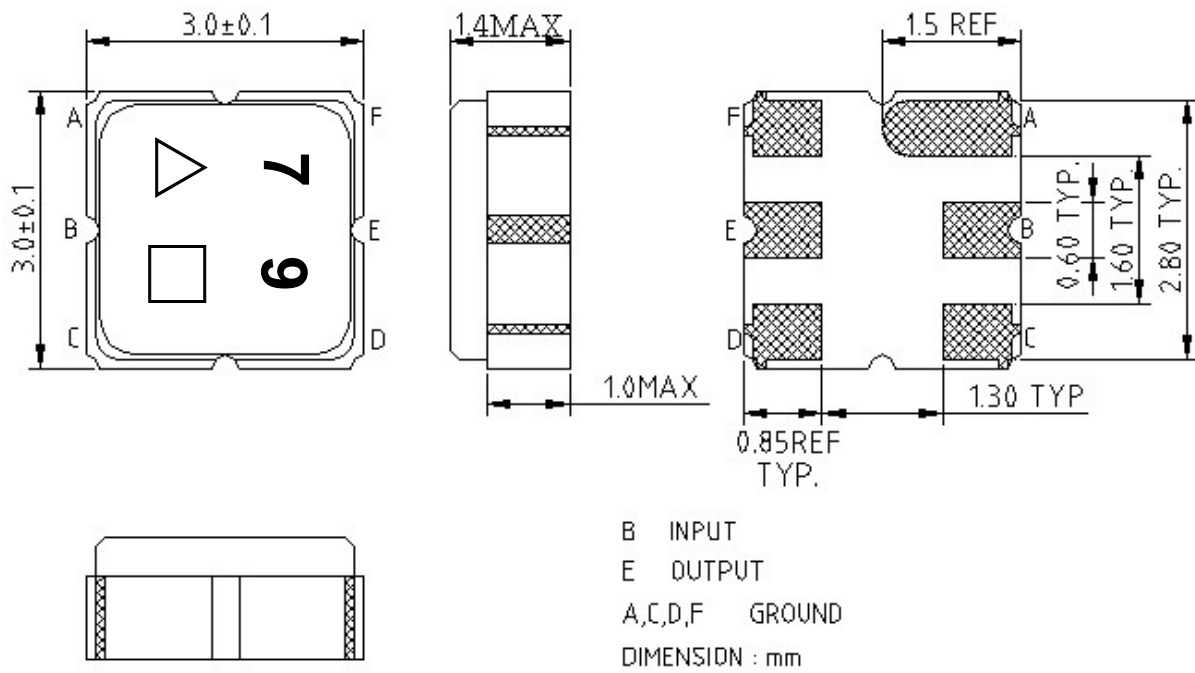
Note1. The standard definitions is in JIS C 6703

C. MEASUREMENT CIRCUIT:

HP Network analyzer

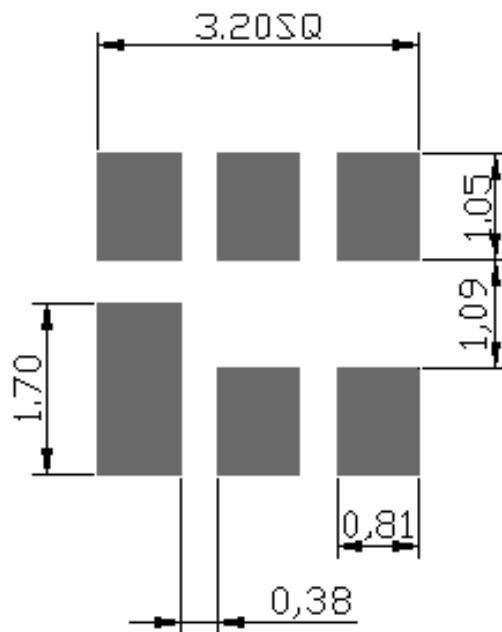


D. OUTLINE DRAWING:

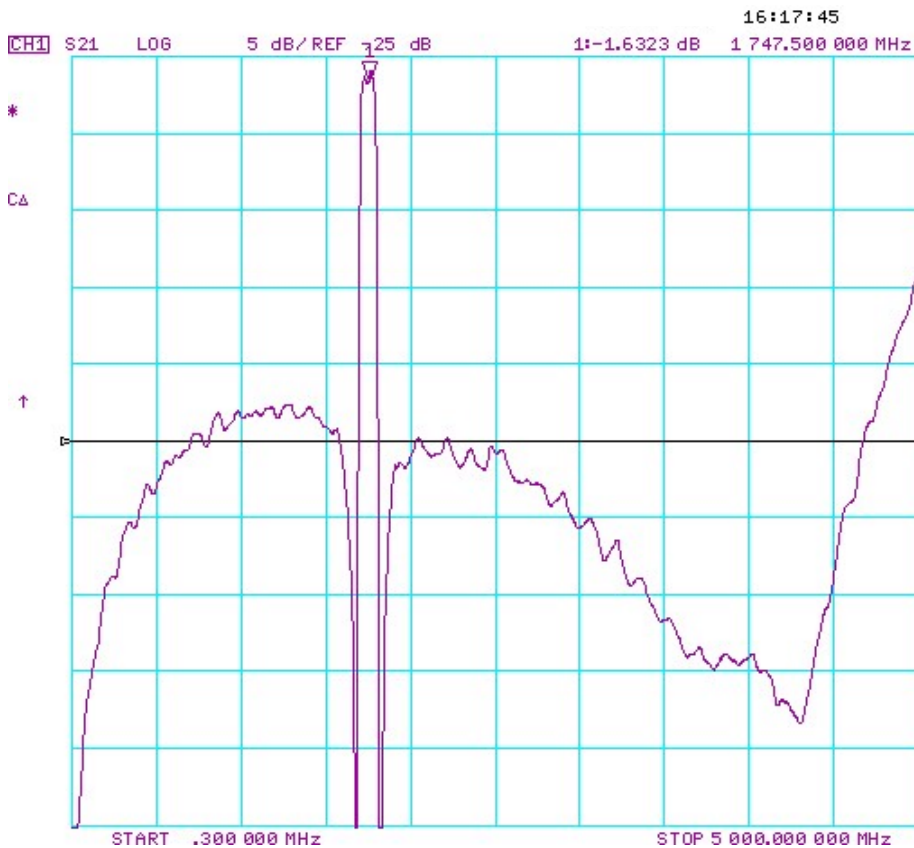
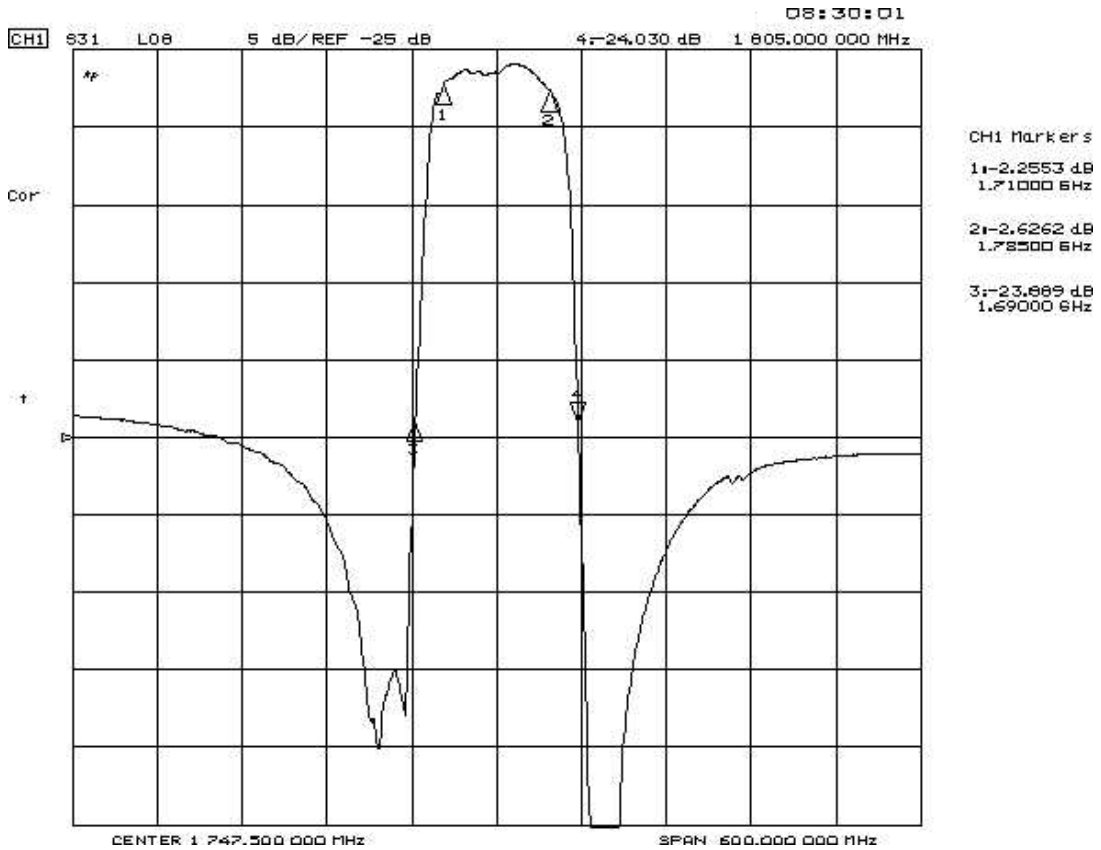


- △ : Year Code (2006->6, ..., 2009->9)
- : Date Code (Follow the table from planner each year)

E. PCB Footprint:

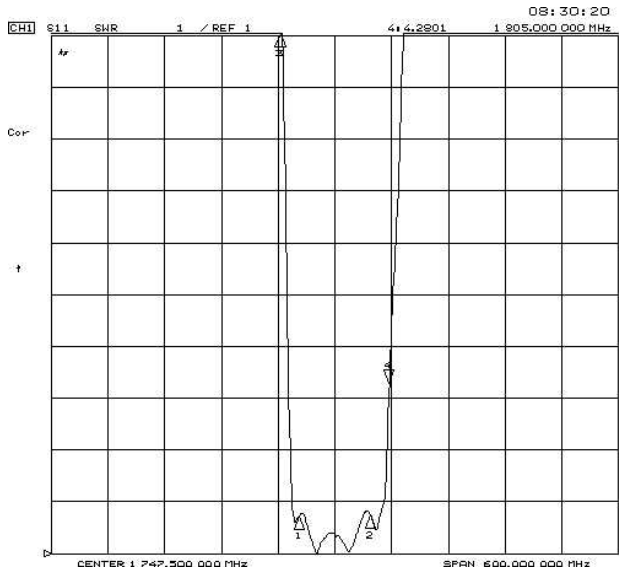


F. Frequency Characteristics : Transfer function



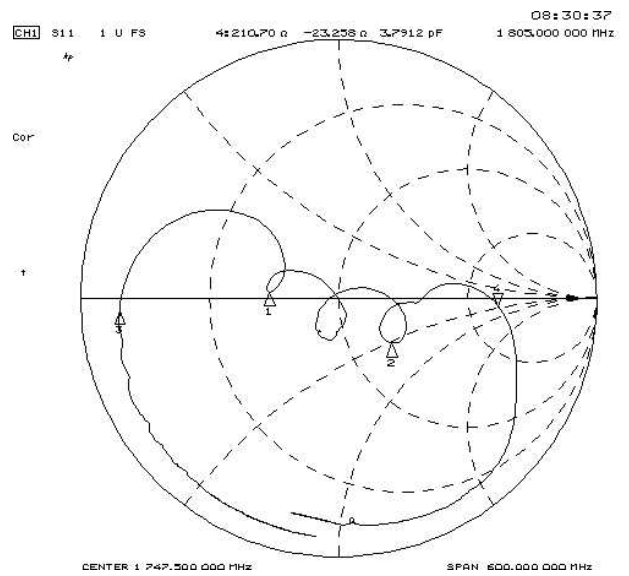
Reflections Functions :

S11



CHI Markers

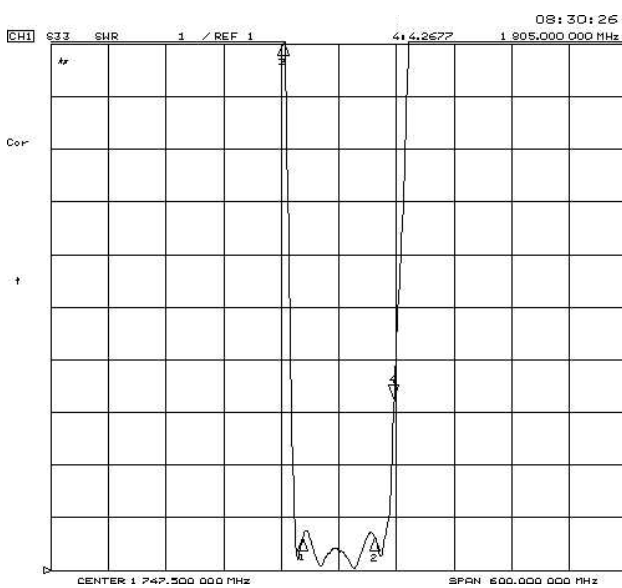
1:	1.7314	1.71000 GHz
2:	1.7427	1.76500 GHz
3:	1.2317	1.69000 GHz



CHI Markers

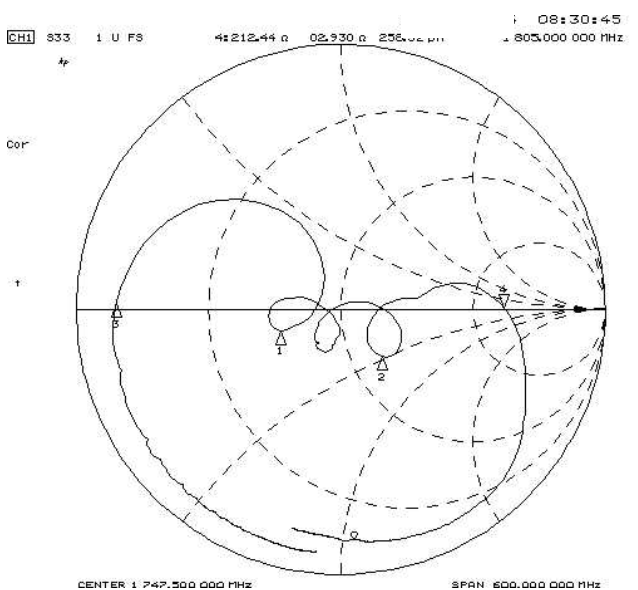
1:	20.925 a	1.55110 GHz
2:	70.387 a	-26.469 a
3:	4.0852 a	-1.3540 a

S22



CHI Markers

1:	1.630P	1.71000 GHz
2:	1.6235	1.76500 GHz
3:	1.2279	1.69000 GHz



CHI Markers

1:	31.264 a	-5.2490 a
2:	63.759 a	-24.029 a
3:	4.0713 a	679.93 mΩ

I. RECOMMENDED REFLOW PROFILE :

