



# TAI-SAW TECHNOLOGY CO., LTD.

No. 3, Industrial 2nd Rd., Ping-Chen Industrial District,  
Taoyuan, 324, Taiwan, R.O.C.

TEL: 886-3-4690038 FAX: 886-3-4697532

E-mail: [tstsales@mail.taisaw.com](mailto:tstsales@mail.taisaw.com) Web: [www.taisaw.com](http://www.taisaw.com)

## Approval Sheet For Product Specification

Issued Date:

Product Name: SAW Filter 429.25MHz SMD 3.8×3.8mm

TST Parts No.: TA0707A

Customer Parts No.: \_\_\_\_\_

Company: _____
Division: _____
Approved by : _____
Date: _____

Checked by: \_\_\_\_\_ Asin Lin

Approval by: \_\_\_\_\_ Francis Chen

Date: \_\_\_\_\_ 2007/07/04



# TAI-SAW TECHNOLOGY CO., LTD.

No. 3, Industrial 2nd Rd., Ping-Chen Industrial District,  
Taoyuan, 324, Taiwan, R.O.C.

TEL: 886-3-4690038 FAX: 886-3-4697532

E-mail: [tstsales@mail.taisaw.com](mailto:tstsales@mail.taisaw.com) Web: [www.taisaw.com](http://www.taisaw.com)

## SAW Filter 429.25 MHz

MODEL NO.: TA0707A

REV. NO.:1

### A. MAXIMUM RATING:

1. Input Power Level: 10 dB<sub>m</sub>
2. DC voltage: 3 V
3. Operating Temperature: -10°C to 60°C
4. Storage Temperature: -30°C to +85°C

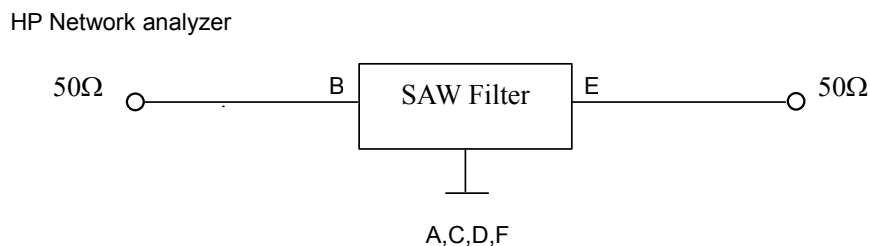
RoHS Compliant  
Lead free  
Lead-free soldering

### B. CHARACTERISTICS:

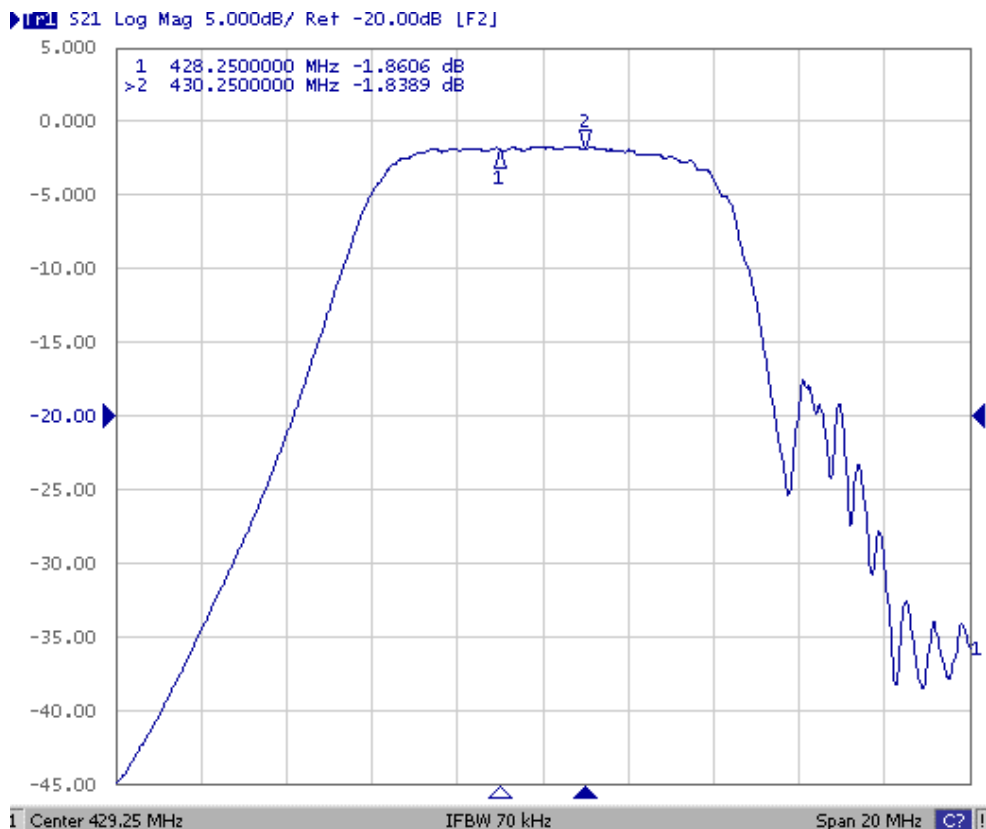
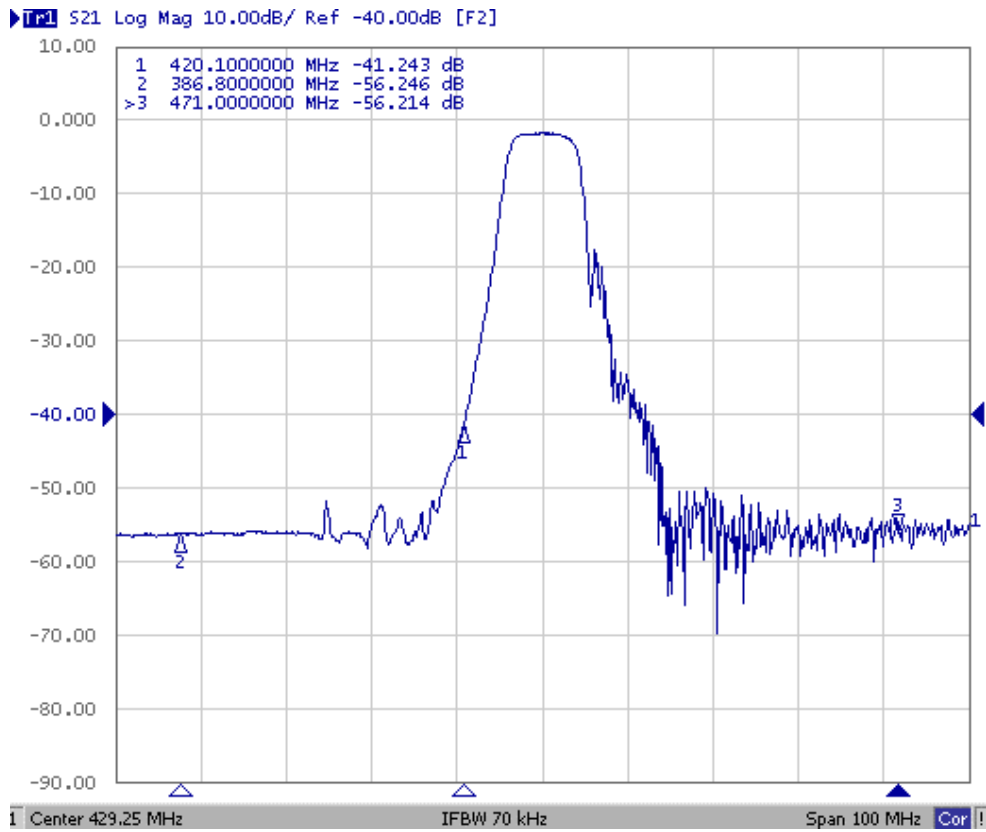
Item	Unit	Min.	Typical	Max.
Center frequency Fc	MH	-	429.25	-
Insertion loss Fc±1.0 MHz IL	dB	-	2.0	4.0
Amplitude ripple Fc±1.0 MHz	dB	-	0.5	2.0
Attenuation (Reference level from 0 dB)				
417.1 ~ 420.1 MHz	dB	8	29	-
383.0 ~ 386.8 MHz	dB	45	50	-
471.0 ~ 474.0 MHz	dB	45	51	-
Source impedance Zs	Ω	-	50	-
Load impedance ZL	Ω	-	50	-

Note1. No matching network required for operation at 50Ω

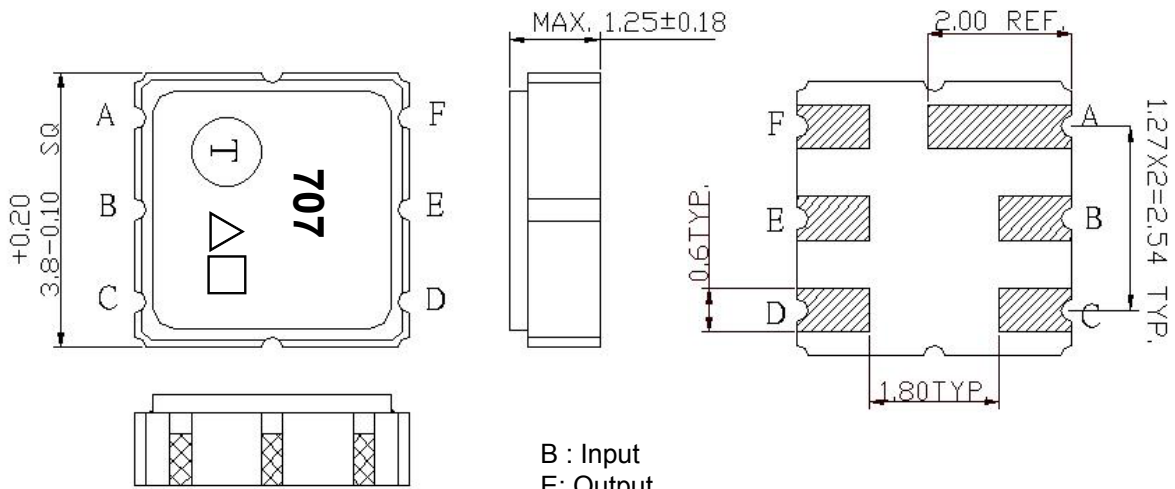
### C. MEASUREMENT CIRCUIT:



## D. TRANSFER FUNCTION :



**E.OUTLINE DRAWING:**

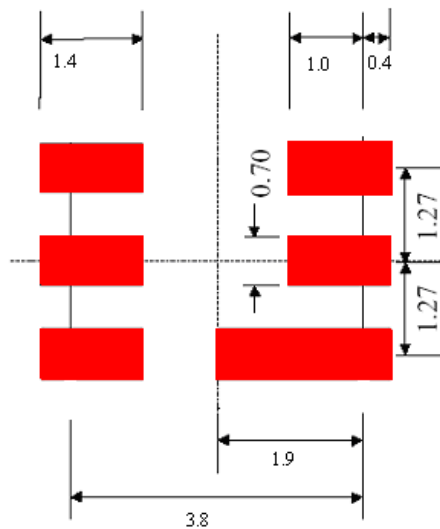


B : Input  
 E: Output  
 A,C,D,F Ground  
 △:Year Code  
 □: Date Code(Follow the table provided by planner each year.)  
 Unit: mm

△ Product Year Code

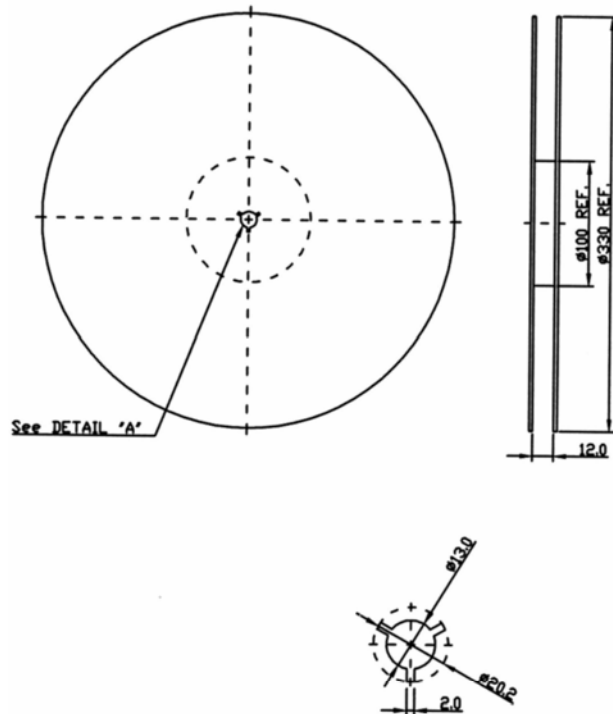
Year	2007	2008
	2009	2010
	2011	2012
Product Code	A	a

**F.PCB FOOTPRINT:**

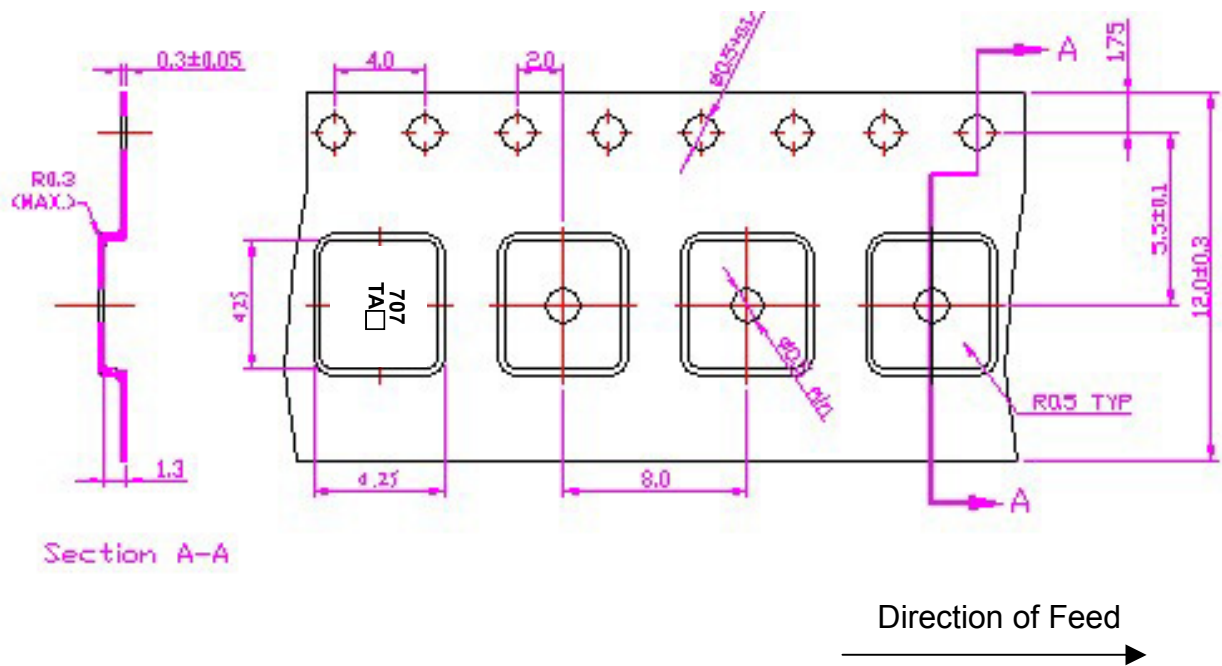


## G. PACKING:

### 1. REEL DIMENSION



### 2. TAPE DIMENSION



## H. REFLOW PROFILE

