



PDT28SM Series Single Digit 7 Segment 0.28" SMD Display

Features

- *Surface Mount Devise .28" (7.0mm) Digit Height
- *AlInGaP Ultra Bright Red Chips used
- *Low Current Requirements
- *Uniform Light Output
- *IC Compatible
- *High Reliability
- *Gray Face, White Segments
- *Tape & Reel 1k pcs
- *RoHS Compliant

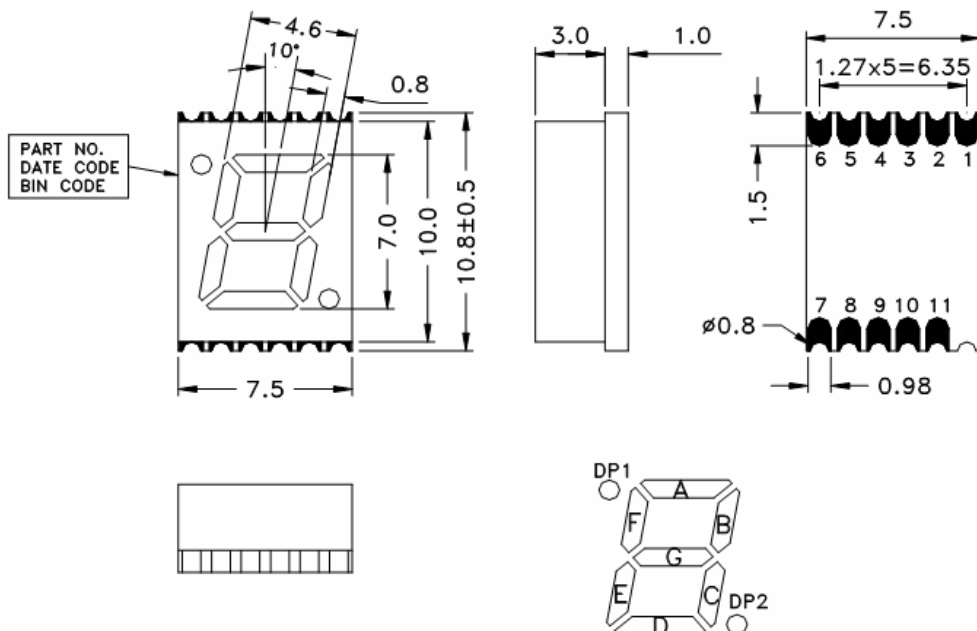
Absolute Maximum Ratings at T_A = 25°C

Power Dissipation per Segment.....	65mW
Reverse Voltage (<100 μA).....	5.0V
Max Forward Current.....	25mA
Peak Forward Current (1/10 Duty Cycle, 0.1ms Pulse Width).....	100mA
Operating Temperature Range.....	-40°C to +105°C
Storage Temperature Range.....	-40°C to +105°C
Soldering Temperature (1.6mm below body).....	260°C for 10 seconds

Electrical & Optical Characteristics at T_A = 25°C

Part Number		Emitting Color	Chip Material	Dominant Wave Length	Peak Wave Length	Forward Voltage @20mA (V)		Luminous Intensity @10mA (mcd)	
						Typ	Max	Min	Typ
Common Anode	Common Cathode			nm	nm				
PDT28SM-CADR09	PDT28SM-CCDR09	Hyper Red	AllInGaP	624	632	2.0	2.6	6.0	15.0

All Dimensions are in **Millimeters**. Tolerance is ± 0.25mm unless otherwise specified.



Pin Function	
Common Anode Pin #	Common Cathode Pin #
1 Cathode G	1 Anode G
2 Cathode DP 1	2 Anode DP 1
3 Cathode F	3 Anode F
4 Com Anode	4 Com Cathode
5 Cathode A	5 Anode A
6 Cathode B	6 Anode B
7 Cathode DP 2	7 Anode DP 2
8 Cathode C	8 Anode C
9 Com Anode	9 Com Cathode
10 Cathode D	10 Anode D
11 Cathode E	11 Anode E