

P-tec Corp. Tel:(800)688-0613
 2405 Commerce Circle Tel:(719) 589 3122
 Alamosa Co. 81101 Fax:(719) 589 3592
 www.p-tec.net sales@p-tec.net



PD29 Single Digit 7 Segment 2.3" LED Display

Features

- *Single Digit 2.3" (57.0mm) Super Bright Red Display with 10 Pins
- *Low Current Requirements
- *High Light Output
- *IC Compatible
- *High Reliability
- *Gray Face White Segments
- *RoHS Compliant

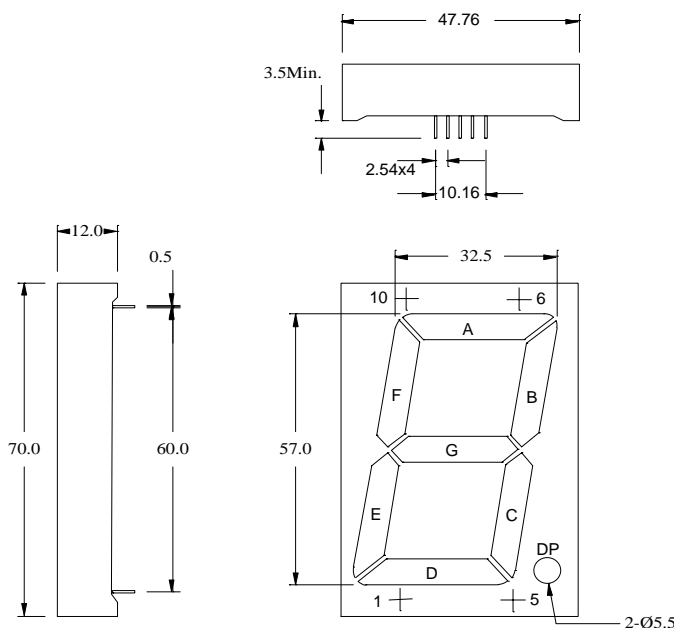
Absolute Maximum Ratings at T_A = 25°C

Power Dissipation (Segment / DP).....	264 / 132mW
Reverse Voltage (<100 μA).....	4.0V
Max Forward Current.....	30mA
Peak Forward Current (1/10 Duty Cycle, 0.1ms Pulse Width).....	100mA
Operating Temperature Range	-25°C to +85°C
Storage Temperature Range.....	-40°C to +100°C
Soldering Temperature (1.6mm below body).....	260°C for 5 seconds

Electrical & Optical Characteristics at T_A = 25°C

Part Number		Emitting Color	Chip Material	Dominant Wave Length	Peak Wave Length	Forward Voltage @20mA (V)				Luminous Intensity @10mA (mcd)	
Common Anode	Common Cathode					Segment		DP		Min	Typ
PD29-CADR21	PD29-CCDR21	Deep Red	AlGaAs	643	660	7.2	8.8	3.6	4.4	18.0	31.0

All Dimensions are in **Millimeters**. Tolerance is ± 0.25mm unless otherwise specified. The Slope Angle of any Pin maybe +/- .5° max.



Pin Function	
Common Anode Pin #	Common Cathode Pin #
1 Common Anode	1 Common Cathode
2 Cathode E	2 Anode E
3 Cathode D	3 Anode D
4 Cathode C	4 Anode C
5 Common Anode	5 Common Cathode
6 Cathode B	6 Anode B
7 Cathode A	7 Anode A
8 Cathode DP	8 Anode DP
9 Cathode F	9 Anode F
10 Cathode G	10 Anode G