

Specifications

Insulation Resistance: 1,000M Ω min. at 500V DC
 Dielectric Withstanding Voltage: 700V AC for 1 minute
 Contact Resistance: 30m Ω max. at 10mA/20mV max.
 Operating Temperature Range: -40°C to +170°C

Materials and Finish

Housing: Polyetherimide (PEI), glass-filled, UL94V-0
 Contacts: Beryllium Copper (BeCu)
 Plating: Gold over Nickel

Features

- ⇨ Wiping action system: Cleans up IC lead surface during handling action
- ⇨ Reliable 3 point contact system
- ⇨ Cost performance: Different contact thickness for contact area and terminal area
- ⇨ Depopulated versions available
- ⇨ Also available with lever on the right hand side, standard type is lever on the left hand side

Part Number (Details)

NP89 - 121 10 MF - G 4 - BF

Series No.

No. of Contact Pins

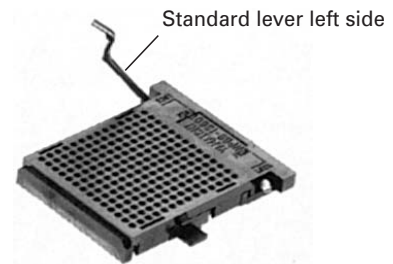
Design Number

MF = Flanged
 Unmarked = Not Flanged

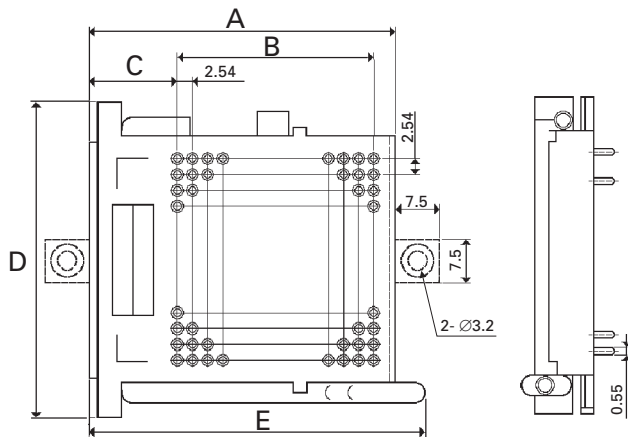
Contact Plating (Gold)

Contact Terminal Style

Plating Specification

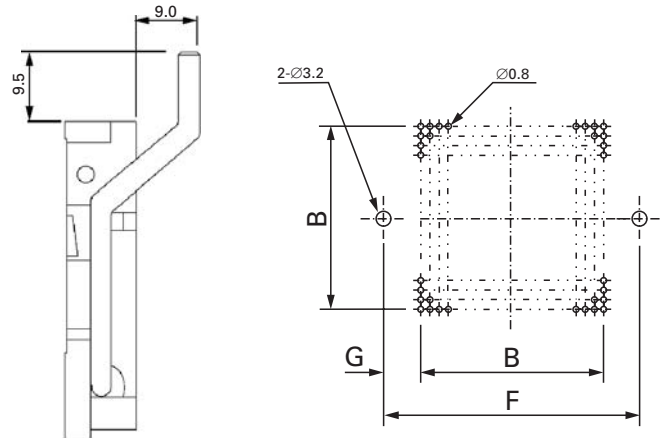


Outline Socket Dimensions



Recommended PC Board Layout

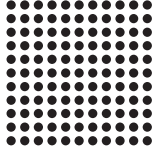
Top View from Socket



Part Number	Grid Size	Pin Count	Socket and PC Board Dimensions						
			A	B	C	D	E	F	G
NP89-12110**-G4-BF	11 x 11	121	42.5	25.4	14.0	42.5	52.0	50.1	17.55
NP89-14409**-G4-BF	12 x 12	144	43.1	27.94	12.0	42.7	52.6	50.7	15.55
NP89-13302**-G4-BF	14 x 14	133	51.0	32.02	14.65	51.0	60.5	58.6	18.2
NP89-19601**-G4-BF	14 x 14	196	51.0	32.02	14.65	49.0	60.5	58.6	18.2
NP89-22508**-G4-BF	15 x 15	225	52.7	35.56	14.0	50.3	65.4	60.3	17.55
NP89-21004**-G4-BF	17 x 17	210	59.0	40.64	14.65	57.0	71.7	66.6	18.2
NP89-28906**-G4-BF	17 x 17	289	59.0	40.64	14.65	57.0	71.7	66.6	18.2
NP89-36105**-G4-BF	19 x 19	361	63.7	45.72	14.65	61.7	73.2	71.3	18.2
NP89-44111**-G4-BF	21 x 21	441	69.0	50.8	14.95	68.0	81.7	76.4	18.5
NP89-62522**-G4-BF	25 x 25	625	85.7	60.96	17.95	82.0	95.2	92.8	21.5

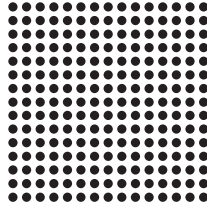
11 x 11 Grid

NP89-12110-G4



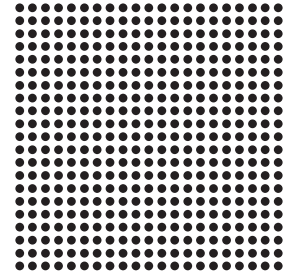
15 x 15 Grid

NP89-22508-G4



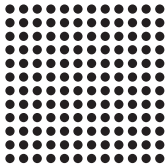
21 x 21 Grid

NP89-44111-G4



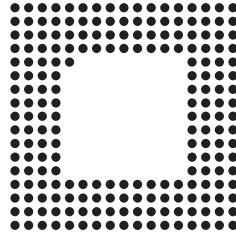
12 x 12 Grid

NP89-14409-G4



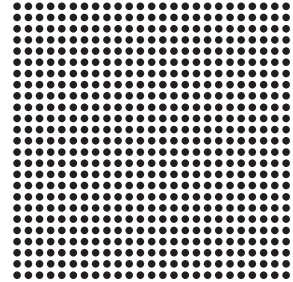
17 x 17 Grid

NP89-21004-G4



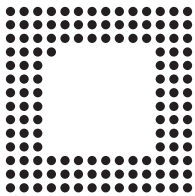
25 x 25 Grid

NP89-6252 -G4



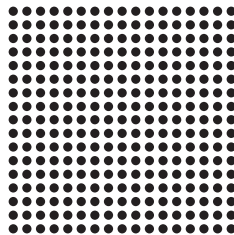
14 x 14 Grid

NP89-13302-G4



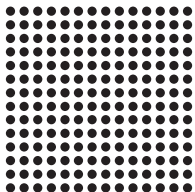
17 x 17 Grid

NP89-28906-G4



14 x 14 Grid

NP89-19601-G4



19 x 19 Grid

NP89-36105-G4

