

M24758/5 Conduit-to-Panel Fitting

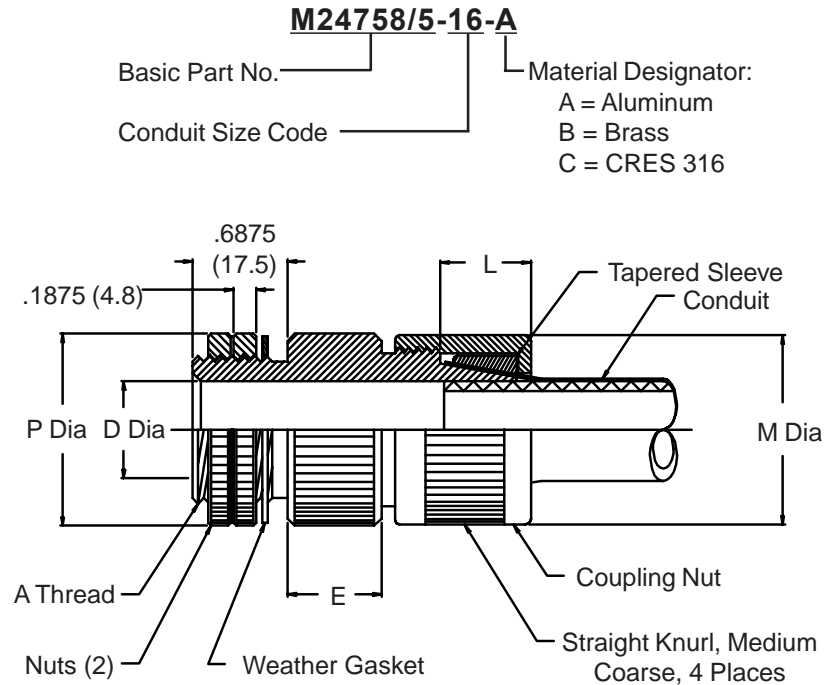


TABLE I

Conduit Size Code	A Thread (Class 2A)	D Dia (Minimum)	E Knurl Length ±.06 (15.2)	L Cone Length ±.06 (15.2)	M Dia (Maximum)	P Dia (Minimum)
02	0.625 - 24 UNEF	.250 (6.4)	.500 (12.7)	.750 (19.1)	.930 (23.6)	.870 (22.1)
03	0.750 - 20 UNEF	.370 (9.4)	.500 (12.7)	.750 (19.1)	1.120 (28.4)	1.000 (25.4)
04	0.875 - 20 UNEF	.500 (12.7)	.620 (15.7)	.750 (19.1)	1.250 (31.8)	1.120 (28.4)
05	1.000 - 20 UNEF	.620 (15.7)	.620 (15.7)	.750 (19.1)	1.430 (36.3)	1.250 (31.8)
06	1.188 - 18 UNEF	.750 (19.1)	.750 (19.1)	.750 (19.1)	1.620 (41.1)	1.430 (36.3)
08	1.438 - 18 UNEF	1.000 (25.4)	.750 (19.1)	1.000 (25.4)	1.810 (46.0)	1.680 (42.7)
10	1.750 - 16 UN	1.250 (31.8)	.870 (22.1)	1.000 (25.4)	2.180 (55.4)	2.000 (50.8)
12	2.000 - 16 UN	1.500 (38.1)	.870 (22.1)	1.000 (25.4)	2.560 (65.0)	2.250 (57.2)
16	2.500 - 16 UN	2.000 (50.8)	1.000 (25.4)	1.000 (25.4)	3.060 (77.7)	3.000 (76.2)
20	3.000 - 16 UN	2.500 (63.5)	1.000 (25.4)	1.000 (25.4)	3.680 (93.5)	3.500 (88.9)
24	3.500 - 16 UN	3.000 (76.2)	1.000 (25.4)	1.000 (25.4)	4.380 (111.3)	4.000 (101.6)

1. The function of the M24758/5 fitting is to terminate flexible shielding conduit directly to a panel. Two jam nuts are supplied with this fitting. One nut secures the fitting to the panel, and a second nut acts as a lock nut to the first.
2. Metric dimensions (mm) are indicated in parentheses.
3. For complete dimensions see applicable Military Specification.