

Specifications

| | |
|------------------------------|----------------------------------|
| Voltage Rating: | 50V AC (rms) max. |
| Current Rating: | 1A max. per contact |
| Contact Resistance: | 30mΩ max. |
| Insulation Resistance: | 100MΩ min. |
| Operating Temperature Range: | -55°C to +85° |
| Withstanding Voltage: | 500V DC min. |
| Pin Count: | 6 pins |
| Mating Cycles: | 1500 times |
| Soldering Temp.: | 220°C min. / 60 sec., 250°C peak |



Part Numbers

GBS006-0003-AS
(Receptacle)



Materials and Finish

| | Plug | Receptacle |
|----------------|-------------------------------|--|
| Shell: | PVC (Moulded) (UL94V-0) | |
| Metal Shell: | SPC 0.4t Sn-plating | Copper Alloy, Sn-plating |
| Housing: | PBT, (GF), black (UL94V-0) | High Temperature Thermoplastic, UL94V-0 |
| Contacts: | Brass 0.3t | Copper Alloy |
| Contact Area: | 30μ" Gold over Nickel | 30μ" Gold over Nickel |
| Terminal Area: | Sn over Nickel | Sn over Nickel |

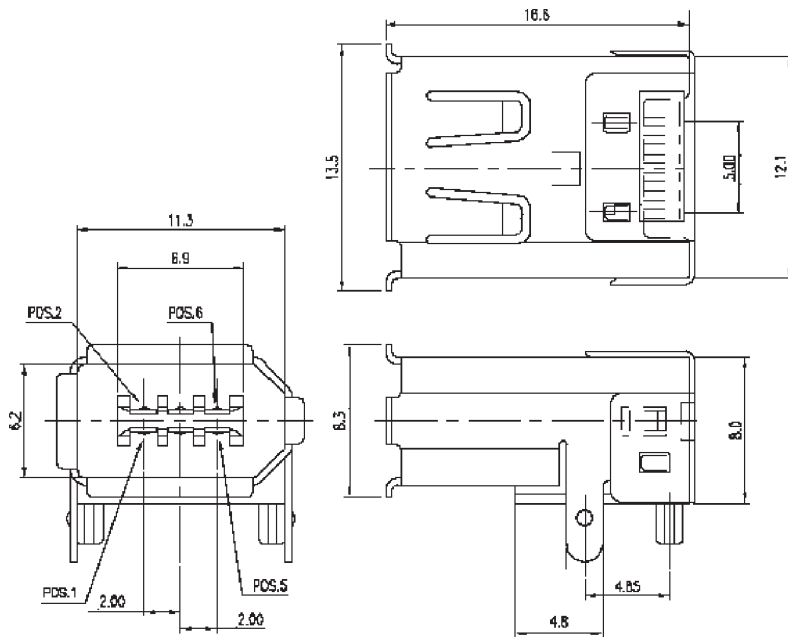
CTGBPC**
(Plug)

Note:
Minimum order = 1000 meters

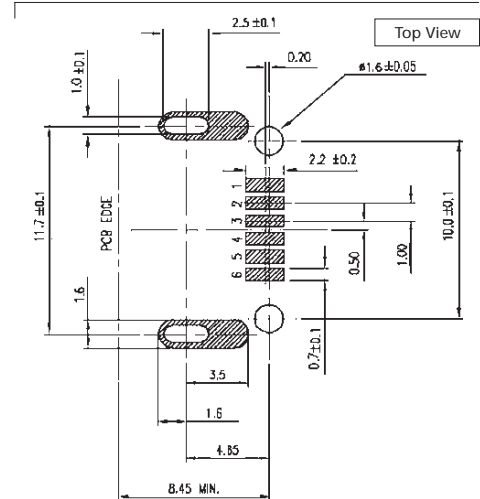
Only available
in assembled versions with
moulded strain relief.
For more details please contact Yamaichi.



Outline Dimensions Receptacle



Recommended PCB Layout



Outline Dimensions Plug

