

Support pour Relais SP/ST

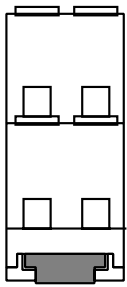
Socket for SP/ST relay

ESD05000

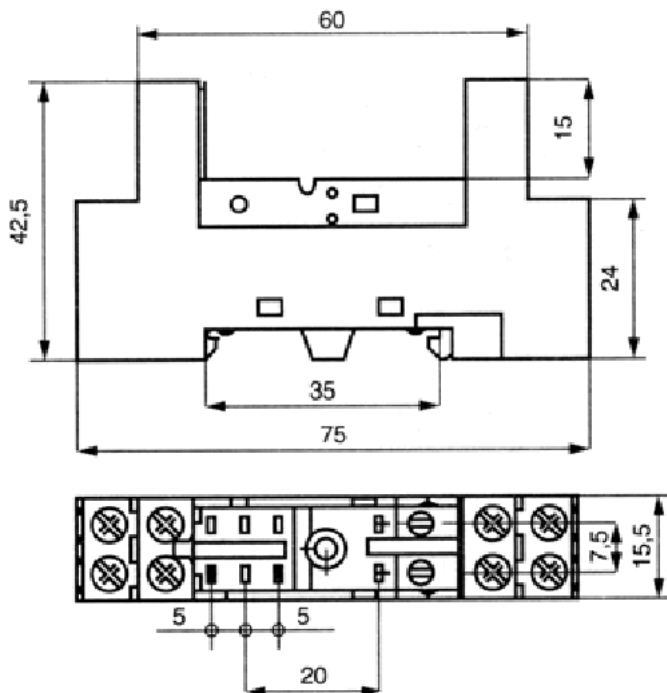
Screw terminal sockets for use with SPA/SPD and STA/STD/STN solid state relays compatible with Electromechanical relays, having 5mm pin spacing.

Mounting can be arranged either directly on panel or via DIN-46377 Omega rail. The screw terminals have jaw-type rising clamps offering touch-proof (IP20) protection. Their reduced lateral dimension is ideally suited on high density DIN-rail applications.

An optional plastic retaining spring, acting also as a relay ejecting device (1 model for SP and 1 model for ST), and a clip-on identification tab are available to complete the series



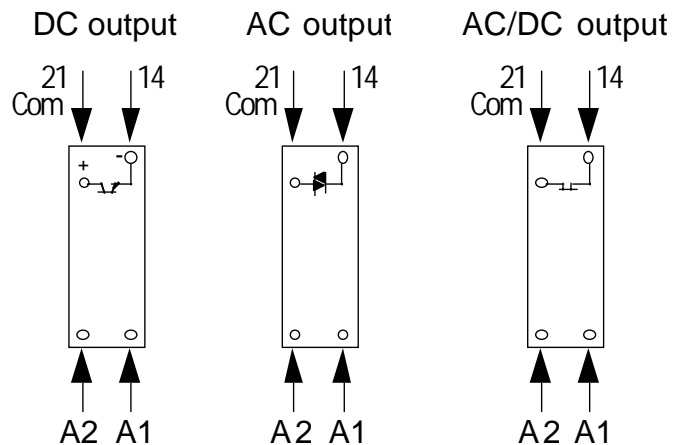
Dimensions



Specifications :
Insulation resistance
Dielectric strength
UL, CSA

12A 250VAC (*)
>1000Mohms
>3KV

(*) see SSR specifications



ISO 9001
N° 1993/1106a

Proud to serve you

All technical characteristics are subject to change without previous notice.
Caractéristiques sujettes à modifications sans préavis.

celduc®

r e l a i s

— www.celduc.com