



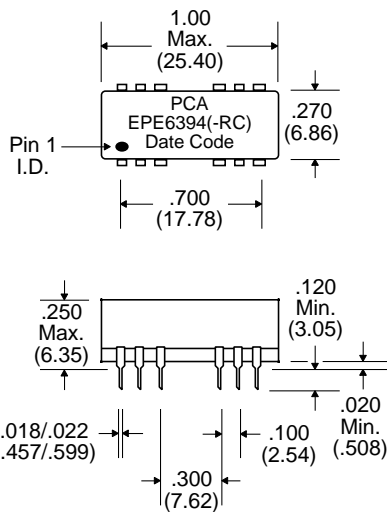
- General Purpose 10Base-T Filter Module
- Complies with or exceeds IEEE 802.3, 10Base-T Standards
- Add “-RC” after part number for RoHS Compliant
- Operating Temperature : 0°C to +70°C

Electrical Parameters @ 25° C

Insertion Loss (dB Max.)	Return Loss (dB Min.)	Attenuation (dB Min.)	Common Mode Rejection (dB Min.)			Crosstalk (dB Min.)
			@ 30 MHz	@ 50 MHz	@ 100 MHz	
5-10 MHz	5-10 MHz	@ 30 MHz	@ 50 MHz	@ 100 MHz	@ 200 MHz	1-10 MHz
Xmit/Rcv	Xmit/Rcv	Xmit/Rcv	Xmit/Rcv	Xmit/Rcv	Xmit/Rcv	
-1.0/-1.0	-15/-15	-32/-25	-30/-30	-25/-25	-25/-25	-30

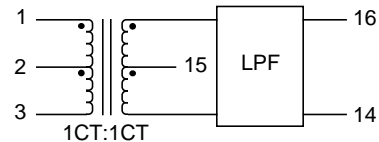
• Isolation : 2000 Vrms • Characteristic Filter Impedance : 100 •

Package

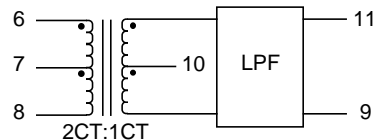


Schematic

Receive Channel



Transmit Channel



Notes :	EPE6394	EPE6394-RC
1. Lead Finish	SnPb	Hot Tin Dip (Sn) †
2. Peak Solder Rating	225°C	260°C
3. Weight	2.1 grams	2.1 grams
4. Packaging Information	(Tube) 19 pieces/tube	19 pieces/tube

† Lead Material : Ni Barrier over Cu

Unless Otherwise Specified Dimensions are in Inches /mm ± .010 / .25