

SPECIFICATIONS

Electrical Ratings	100mA @ 30VDC (silver contacts) .4VA max @ 20VDC or VAC max. (gold contacts)
Electrical Life	100,000 cycles typical
Contact Resistance	< 50 mΩ initial
Actuation Force	250 +/- 100gF
Actuator Travel	1.8 +/- .3mm
Dielectric Strength	750Vrms min
Insulation Resistance	> 100MΩ min
Operating Temperature	-40°C to 85°C
Storage Temperature	-40°C to 85°C



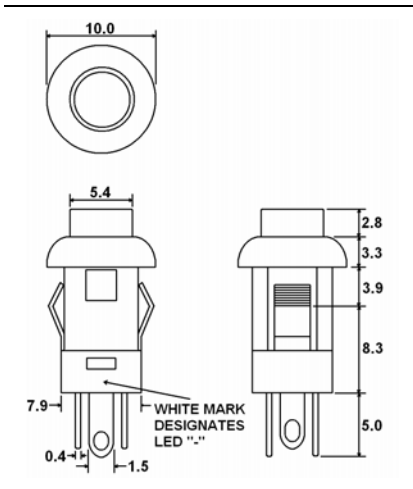
MATERIALS ←RoHS COMPLIANT

Actuator	PC
Housing	Nylon
Contacts	Copper Alloy, Silver Plated, or Gold over Nickel Plated
Terminals	Copper Alloy, Silver Plated, or Gold over Nickel Plated

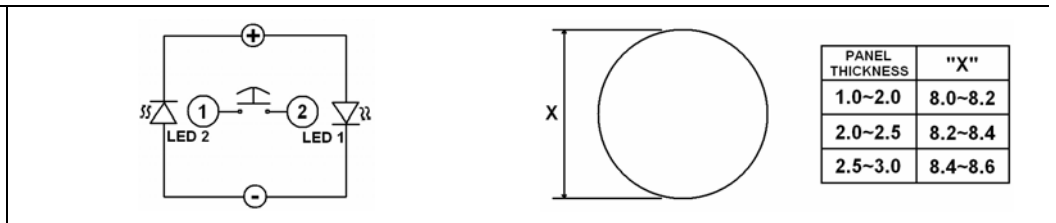
ORDERING INFORMATION

1. Series:	DG	R	Y	Q
DG				
2. First LED Color:				
R = Red				
G = Green				
Y = Yellow				
B = Blue				
W = White **White is not available in Bi-color				
3. Second LED Color: **For Bi-color LED Option				
X = No Second LED				
R = Red				
G = Green				
Y = Yellow				
B = Blue				
4. Contact Material:				
Q = Silver				
R = Gold				

DIMENSIONS



SCHEMATIC & PANEL CUTOUT



LED CHARACTERISTICS

	Red	Green	Yellow	Blue	White	UNITS
Forward Current	I _f	30	30	30	30	mA
Reverse Voltage	V _r	5.0	5.0	5.0	5.0	V
Reverse Current	I _r	10	10	10	50	uA
Forward Voltage @ 20mA	V _f	1.7-2.6	1.7-2.6	1.7-2.6	2.5-3.5	V
Luminous Intensity	I _v	100	100	200	160	mcd