

**DC COOLING FAN**

**172x150x50mm**

- Voltage: 24 VDC
- Bearing options: Ball, Sleeve or Oil Bearing
- Material on housing: Aluminium Alloy Housing
- Airflow: 217 CFM
- Suitable for Racks etc.



**SPECIFICATION**

Part No.	Bearing	Voltage(V)	Current(A)	Power (W)	Speed(RPM)	Air flow(CFM )	Pressure(mmAq)	Noise(dB/A)	Weight(g)
DBF17250x24M	Ball, Sleeve, Oil	24	0.87	20.88	3000	217.7	7.25	53.9	613

**Impeller:** Plastic (UL;94V-0)

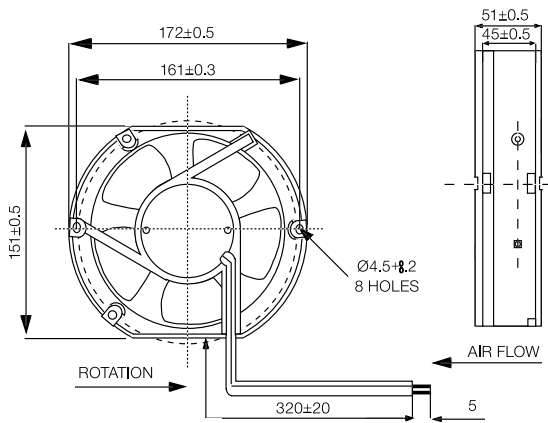
**Lead Wire :** UL1007 AWG24

**Protection:** Current Limit

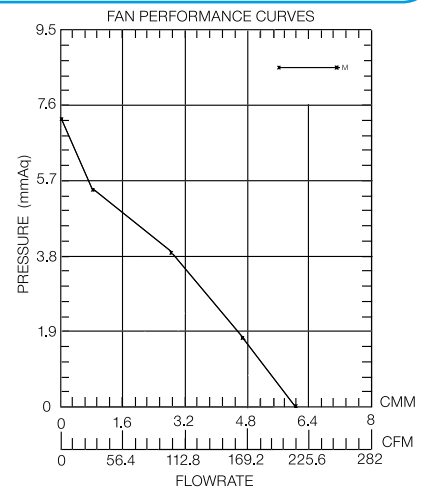
**Operating Temp.:** -10° to 70 °C

SECTION 12

**EXTERNAL DIMENSIONS**



**PERFORMANCE CURVE**



**ORDERING INFORMATION**

DBF	17250	B	24	M
Dubilier Fans	Size	Bearing	Voltage	Airflow
	172x150x50mm	B=Ball S=Sleeve G=Oil	24=24vdc	M=Medium