



## TERMINAL BLOCKS

## 10mm PITCH PLUG IN VERTICAL OR HORIZONTAL

- 10mm pitch
- Interlocking
- Test Probe facility
- Horizontal or vertical mounting
- 1.5mm<sup>2</sup> wire acceptance
- UL/ CSA approved

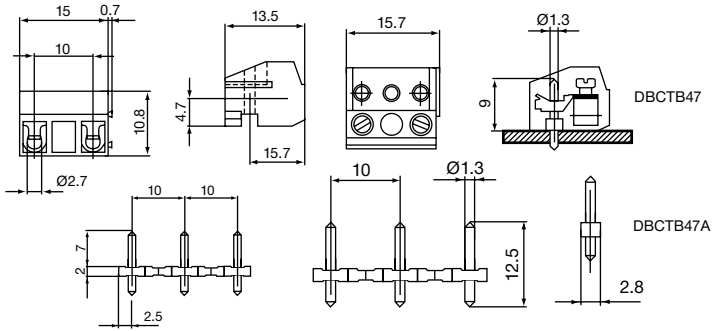


## SPECIFICATION

**Rating:** 10A/750V  
**Dielectric Strength:**  $\geq 2.5\text{KV}/60\text{sec}$   
**Insulation Resistance:**  $\geq 5\text{M}\Omega$   
**Working temperature:**  $-33^{\circ}\text{C}$  to  $125^{\circ}\text{C}$   
**Short Period:**  $160^{\circ}$   
**Moulding:** UL94V-0 flame retardant glass filled polyester

**Pin/terminal:**  $5\mu$  tinned, copper flashed brass  
**Wire protector:** Beryllium copper  
**Screw/torque:** M2.6 steel, zinc & colour passivated and tropicalised/0.4Nm

## OUTLINE DRAWING



## ORDERING INFORMATION

DBC	TB	47	/2
Dubilier Connectors	Series	Style	N° of Ways
	Terminal Block	47=Style 47 47A=Style 47A	2 = 2 ways 3 = 3 ways

\* Other Number of ways are available up to 12  
Please consult office for further details