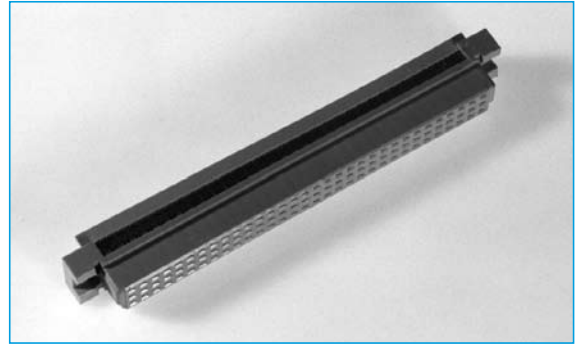


## DIN 41612

- Industry Compatible
- Competitively Priced
- 64 way female A+C rows loaded
- Gold Plated Contacts
- Plugged Keys Available
- 2.54mm Pitch

## IDC DIN 41612



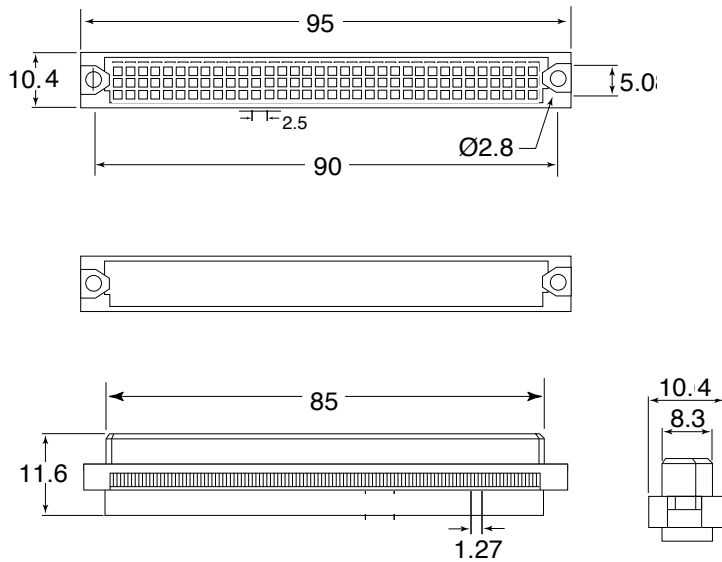
### SPECIFICATION

#### Material & Finish

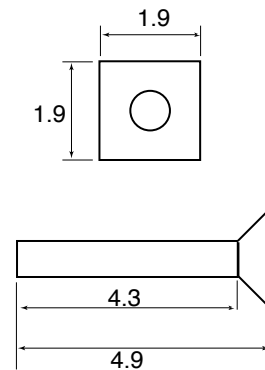
<b>Contact Material:</b>	Phosphor Bronze
<b>Insulator Material:</b>	PBT & Glass-Fibre Reinforced UL-94V-0
<b>Current Rating:</b>	1A DC
<b>Contact Resistance:</b>	30M $\Omega$ Max at 6V DC 0.3A
<b>Insulator Resistance:</b>	1000M $\Omega$ Min at 500V DC

<b>Dielectric</b>	
<b>Withstanding Voltage:</b>	500V AC for One Minute
<b>Operating Temperature:</b>	-40°C to + 105°C

### OUTLINE DRAWING



### PLUGGED KEY



**DBCIDC24BLK or  
DBCIDC24WHT**

### ORDERING INFORMATION

DBC	IDC	23	64	F	B	S	1
Dubilier Connectors	IDCDIN Connector	Series	No. of Ways	Contact Type	Contact Material	Contact Plating	Colour
			64=64way	F=Female	A=Brass B=Bronze	S=Selective Gold T=Tin G= Gold Flash	1=Black