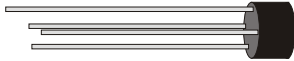


# 2W005 THRU 2W10



SINGLE PHASE 2.0 AMP BRIDGE RECTIFIERS



## FEATURES

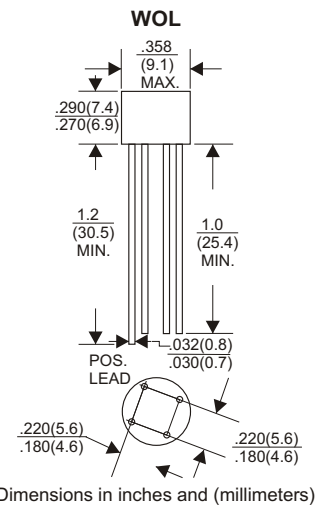
- \* Ideal for printed circuit board
- \* Low forward voltage
- \* Low leakage current
- \* Polarity: marked on body
- \* Mounting position: Any
- \* Weight: 1.37 grams

## VOLTAGE RANGE

50 to 1000 Volts

## CURRENT

2.0 Amperes



## MAXIMUM RATINGS AND ELECTRICAL CHARACTERISTICS

Rating 25°C ambient temperature unless otherwise specified.  
Single phase half wave, 60Hz, resistive or inductive load.  
For capacitive load, derate current by 20%.

| TYPE NUMBER   | 2W005 | 2W01 | 2W02 | 2W04 | 2W06 | 2W08 | 2W10 | UNITS      |    |
|---|-------|------|------|------|------|------|------|------------|----|
| Maximum Recurrent Peak Reverse Voltage  | 50    | 100  | 200  | 400  | 600  | 800  | 1000 | V          |    |
| Maximum RMS Voltage   | 35    | 70   | 140  | 280  | 420  | 560  | 700  | V          |    |
| Maximum DC Blocking Voltage   | 50    | 100  | 200  | 400  | 600  | 800  | 1000 | V          |    |
| Maximum Average Forward Rectified Current<br>.375"(9.5mm) Lead Length at Ta=25°C                      |       |      |      |      |      |      |      | 2.0        | A  |
| Peak Forward Surge Current, 8.3 ms single half sine-wave<br>superimposed on rated load (JEDEC method) |       |      |      |      |      |      |      | 60         | A  |
| Maximum Forward Voltage Drop per Bridge Element at 2.0A D.C.  |       |      |      |      |      |      |      | 1.1        | V  |
| Maximum DC Reverse Current<br>Ta=25°C   |       |      |      |      |      |      |      | 10         | μA |
| at Rated DC Blocking Voltage<br>Ta=100°C  |       |      |      |      |      |      |      | 500        | μA |
| Operating Temperature Range, Tj   |       |      |      |      |      |      |      | -65 — +125 | °C |
| Storage Temperature Range, Tstg   |       |      |      |      |      |      |      | -65 — +150 | °C |

## RATING AND CHARACTERISTIC CURVES (2W005 THRU 2W10)

FIG.1-TYPICAL FORWARD CURRENT DERATING CURVE

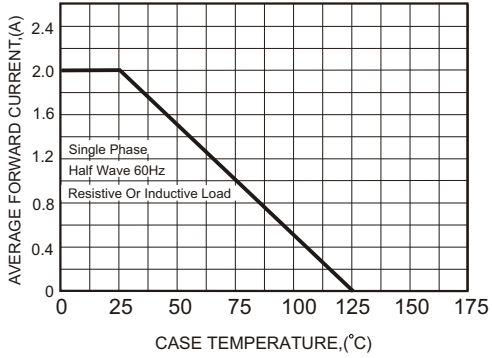


FIG.2-MAXIMUM NON-REPETITIVE FORWARD SURGE CURRENT

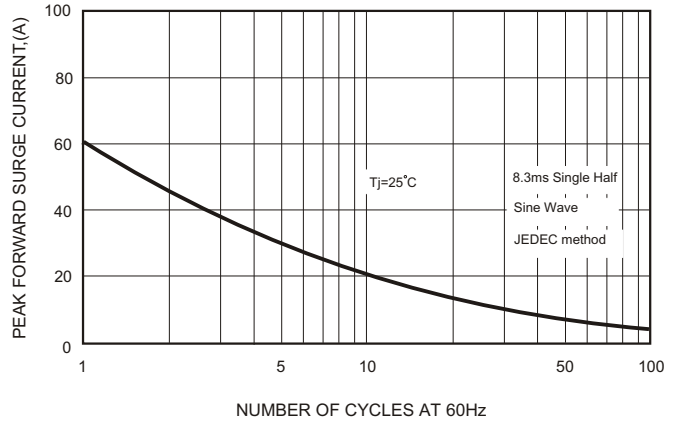


FIG.3-TYPICAL FORWARD CHARACTERISTICS

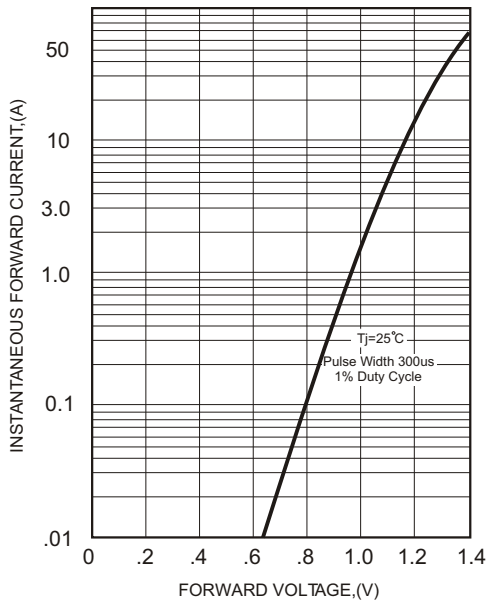


FIG.4-TYPICAL REVERSE CHARACTERISTICS

