



PRODUCT NUMBER  
20020516-MXX1B01LF

20020516 - [ ] [ ] [ ] 1 B 0 1 L F

PITCH  
M: 7.62 mm

POLES  
02: 2 POLES  
03: 3 POLES  
04: 4 POLES  
16: 16 POLES

LF: DENOTED RoHS COMPATIBLE

PROPERTY TABLE	
FCI SERIES NAME	04-762
PITCH (mm)	7.62
VOLTAGE RATING (VAC)	300
CURRENT RATING (A)	32
APPLICABLE WIRE RANGE(AWG)	10~24
WIRE CROSS SECTION(mm*mm)	6.0~0.2
WIRE STRIP LENGTH(mm)	10~11
TORQUE +/-10% (N-m/Lb-in)	0.79/7.0
SCREW	M3.5x0.5
WITHSTANDING VOLTAGE (kV)	1.6
OPERATING TEMP. (°C)	-40~+115
POLES AVAILABLE	02~16
SAFETY CERTIFICATE	

**NOTES:**

- MATERIALS**  
1-1 HOUSING: THERMALPLASTIC RESIN, UL 94V-0 RATED, COLOR GREEN.  
1-2 SCREW: STEEL, ZINC PLATED.  
1-3 CLAMP: BRASS, NICKEL PLATED.  
1-4 TERMINAL: COPPER, TIN PLATED.  
1-5 WIRE GUARD: STAINLESS STEEL.
- PRODUCT SPECIFICATION REFER TO FCI GS-12-625.**
- BOXED PACKAGING,**  
DETAILED PRODUCT PACKING SPECIFICATION REFER TO FCI GS-14-1394.
- FCI, SAFETY CERTIFICATE LOGO AND SERIES NAME TO BE SHOWN ON PRODUCT SURFACE.**
- THE PRODUCTS WHERE THE PART NUMBER END IN "LF" MEET THE EUROPEAN UNION DIRECTIVE AND OTHER COUNTRY REGULATIONS AS DESCRIBED IN GS-22-008.**

		rev	ecn no	dr	date
TOLERANCES UNLESS OTHERWISE SPECIFIED		A	DG09-0203	BF	062509
		B	T09-1148	BF	111709
		C	T09-1152	BF	112609
		D	T10-0042	WL	030310
LINEAR	X.	±0.5	-	-	-
	X.X	±0.30	-	-	-
	X.XX	±0.10	-	-	-
ANGULAR	X'	±1'	-	-	-

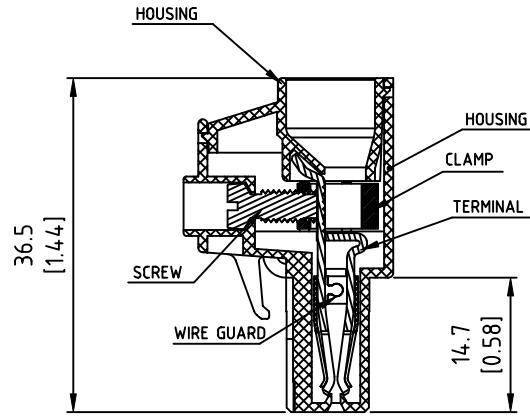
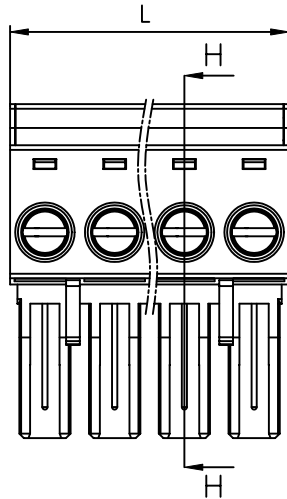
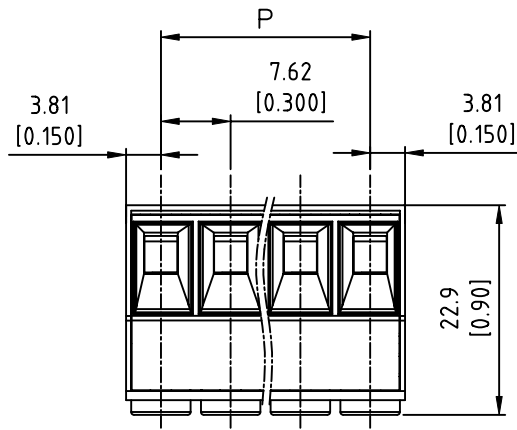
Material		Spec ref *			
Mat code		tolerance	projection	MM	
Heattreat				⊕	
Plating/Finish		size		Scale	
Dr	BEER FU	062509			
Eng	BEER FU	062509	Product family		
Chr	GARY HSIEH	062509	Model Name		
Appr	JOSEPH HSIA	062509	Model Revision		
		ECN		T10-0042	
		REL Level		RELEASED	
FCI logo		title		Rev.	
		TERMINAL BLOCK		D	
		Pluggable plug, contact down side		20020516	
Pro/E file		catalog no		CUSTOMER	
				sheet 1 of 2	

FCI CONFIDENTIAL



This document is the property of and embodies CONFIDENTIAL and PROPRIETARY information of FCI. No part of the information shown on this document may be used in any way or disclosed to others without the written consent of FCI. Copyright, FCI.

PRODUCT NUMBER	SERIES NAME	PITCH
20020516-MXX1B01LF	04-762	7.62 mm



N = Number of poles  
 Dim L = N x 7.62 [0.300]  
 Dim P = (N-1) x 7.62 [0.300]

TOL.	Dim L	Dim P
2-4p	±0.10 [0.004]	
5-8p	±0.20 [0.008]	
9-12p	±0.30 [0.012]	
13-16p	±0.40 [0.016]	

Material		Spec ref		
Mat code		✓	tolerance	projection
Heattreat				MM
Plating/Finish				← MM
Dr	BEER FU 062509		size	A4
Eng	BEER FU 062509	Product family		Scale
Chr	GARY HSIEH 062509	Model Name		ECN T10-0042
Appr	JOSEPH HSIA 062509	Model Revision		REL Level RELEASED
	title	TERMINAL BLOCK		dwg no
		Pluggable plug, contact down side		20020516
Pro/E file	catalog no	CUSTOMER		Rev. D
		sheet 2 of 2		