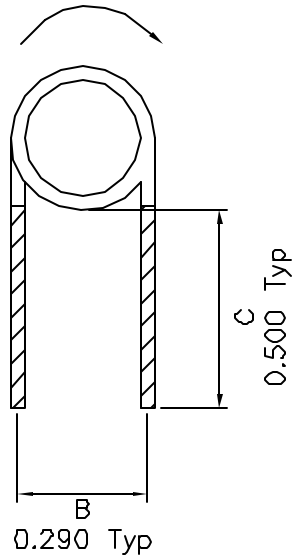
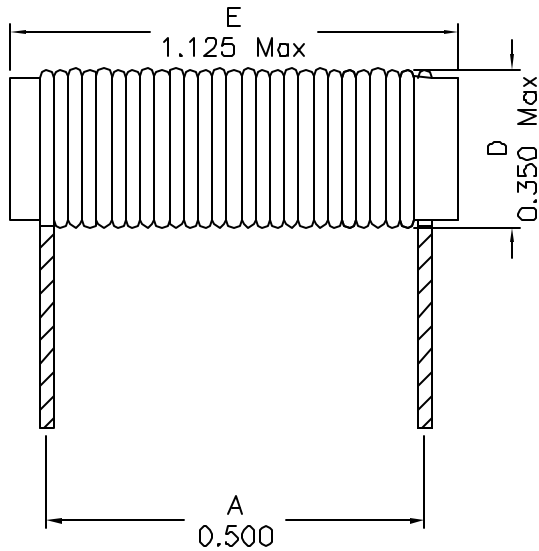
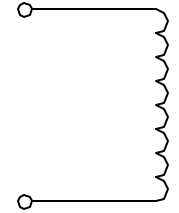


### 1. Mechanical Dimensions:



### 2. Schematic:



### 3. Electrical Specifications: @25°C

OCL: 4.20uH±15% @1KHz, 0.1V

DCR: 8.00 mOhms Max

Q: tbd Min @1KHz, 0.1V

#### Notes:

1. Solderability: Leads shall meet MIL-STD-202, Method 208D for solderability.
2. Flammability: UL94V-0
3. ASTM oxygen Index: > 28%
4. Insulation System: Class F 155°C. UL file E151556
5. Operating Temperature Range: All listed parameters are to be within tolerance from -40°C to +85°C
6. Storage Temperature Range: -55°C to +125°C
7. Aqueous wash compatible
8. SMD Lead Coplanarity: ±0.004"(0.102mm)
9. Moisture Sensitivity: Level 2

<b>XFMRs Inc</b>	Title: INDUCTOR		
	UNLESS OTHERWISE SPECIFIED TOLERANCES: ±0.01	P/N: XFRL1285-4R2L	REV. A
Dimensions in INCH	DWN.	罗振江	Sep-27-04
	CHK.	康玉坤	Sep-27-04
SHEET 1 OF 1	APP.	J Ng	Sep-27-04

DOC REV: A/1

**PROPRIETARY** Document is the property of XFMRs Group & is not allowed to be duplicated without authorization.