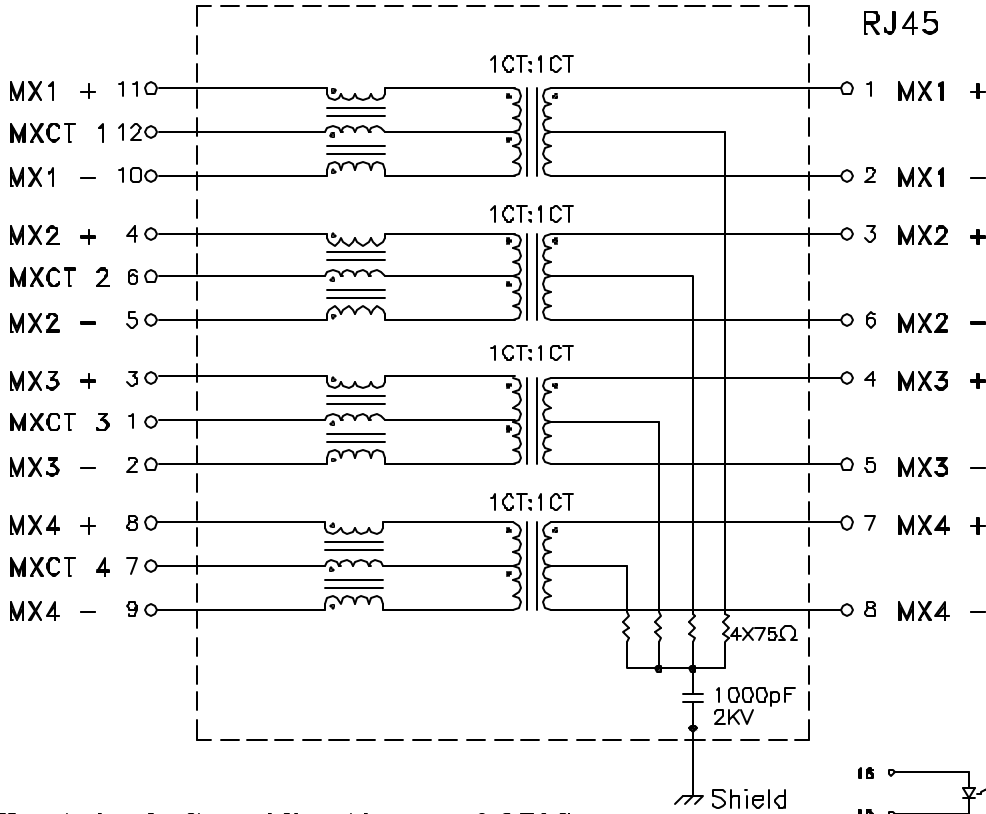
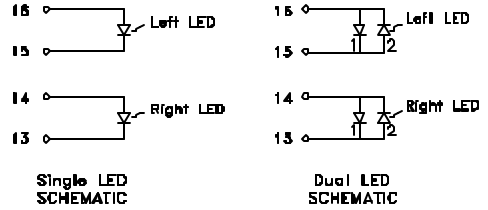


Schematic:



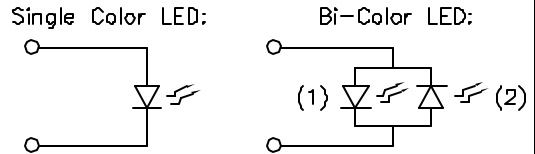
Electrical Specifications: @25°C

- Isolation Voltage: 1500 Vrms @60Hz 1MIN
- Common Mode Rejection: @1-50MHz -30dB Typ
@50-130MHz -20dB Typ
- Crosstalk: @1-10MHz -40dB Typ
@30-60MHz -35dB Typ
@60-100MHz -30dB Typ
- Insertion Loss (1-100MHz): -1.0dB Typ
- Return Loss: @1-10MHz -20dB Typ
@30MHz -16dB Typ
@60-80MHz -12dB Typ



Complete the Combo P/N as follows:

Replace 'x' & 'u' in the part number with one of the LED color letters:
 Y=Yellow
 G=Green
 A=Amber
 R=Red
 C=Green(1)/Amber(2) Bicolor
 D=Amber(1)/Green(2) Bicolor
 M=Green(1)/Yellow(2) Bicolor
 N=Yellow(1)/Green(2) Bicolor
 P=Red(1)/Green(2) Bicolor
 Q=Green(1)/Red(2) Bicolor



Notes:

1. Solderability: Leads shall meet MIL-STD-202C, Method 20BH for solderability.
2. Flammability: UL94V-0
3. ASTM oxygen index: > 28%
4. Insulation System: Class F 155°C. UL file E151556
5. Operating Temperature Range: All listed parameters are to be within tolerance from -40°C to +85°C
6. Storage Temperature Range: -55°C to +125°C
7. Aqueous wash compatible
8. Electrical and mechanical specifications 100% tested
9. RoHS Compliant Component

DOC. REV: A/3

XFMRs Inc
www.XFMRs.com

Title:
SINGLE PORT COMBO w/LEDs

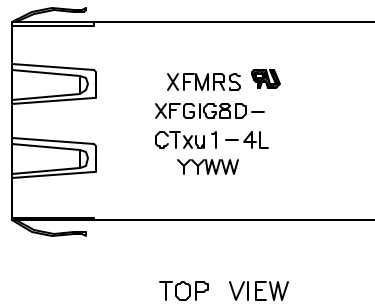
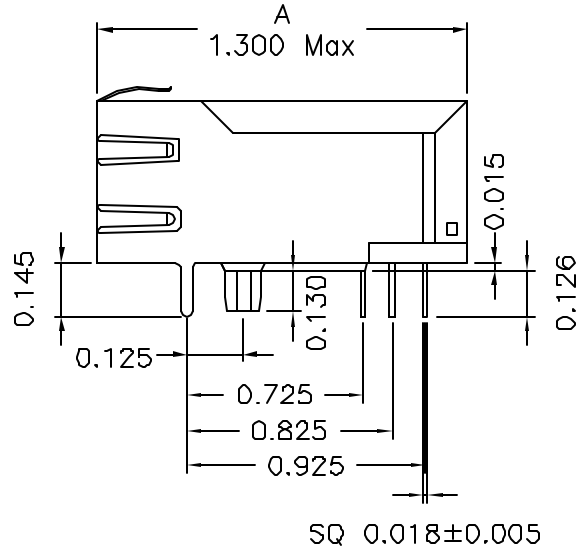
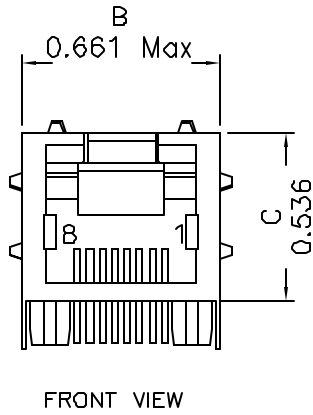
UNLESS OTHERWISE SPECIFIED
TOLERANCES:
.xxx ±0.010
Dimensions in Inch
SHEET 1 OF 2

P/N: XFGIG8D-CTxu1-4L	REV. A
DWN. Juan Mao	Apr-27-06
CHK. YK Liao	Apr-27-06
APP. BW	Apr-27-06

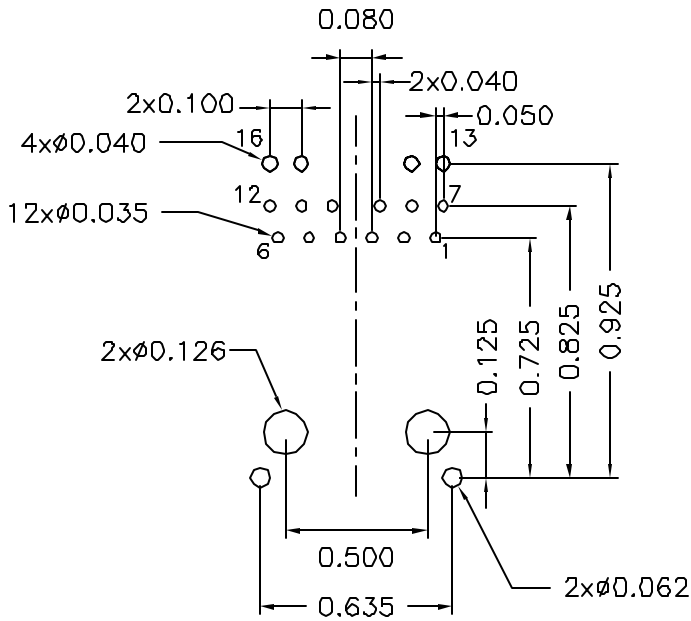
PROPRIETARY:

Document is the property of XFMRs Group & is not allowed to be duplicated without authorization.

Mechanical Dimensions:



Mounting Pattern:



DOC REV: A/3

XFMRS Inc www.XFMRS.com	Title: Mechanical Dimensions For TAB UP RJ45 COMBO		
	P/N: XFGIG8D-CTxu1-4L	REV. A	
UNLESS OTHERWISE SPECIFIED TOLERANCES: .xxx ±0.010 Dimensions in Inch	DWN.	Juan Mao	Apr-27-06
	CHK.	YK Liao	Apr-27-06
SHEET 2 OF 2	APP.	BW	Apr-27-06

PROPRIETARY:

Document is the property of XFMRS Group & is not allowed to be duplicated without authorization.