



TAI-SAW TECHNOLOGY CO., LTD.

No. 3, Industrial 2nd Rd., Ping-Chen Industrial District,
Taoyuan, 324, Taiwan, R.O.C.

TEL: 886-3-4690038 FAX: 886-3-4697532

E-mail: tstsales@mail.taisaw.com Web: www.taisaw.com

Approval Sheet For Product Specification

Issued Date:

Product Name: SAW Filter 311.04MHz SMD3.8X3.8mm

TST Parts No.: TA0499A

Customer Parts No.: _____

Company: _____
Division: _____
Approved by : _____
Date: _____

Checked by: Asin Lin

Approval by: Francis Chen

Date: 2005/6/24



TAI-SAW TECHNOLOGY CO., LTD.

No. 3, Industrial 2nd Rd., Ping-Chen Industrial District,
Taoyuan, 324, Taiwan, R.O.C.

TEL: 886-3-4690038 FAX: 886-3-4697532

E-mail: tstsales@mail.taisaw.com Web: www.taisaw.com

SAW Filter 311.04 MHz

MODEL NO.: TA0499A

REV. NO.:1

A. MAXIMUM RATING:

1. Input Power Level: 0 dBm
2. DC voltage: 5 V
3. Operating Temperature: -40°C to +85°C
4. Storage Temperature: -40°C to +85°C

RoHS Compliant
Lead free
Lead-free soldering

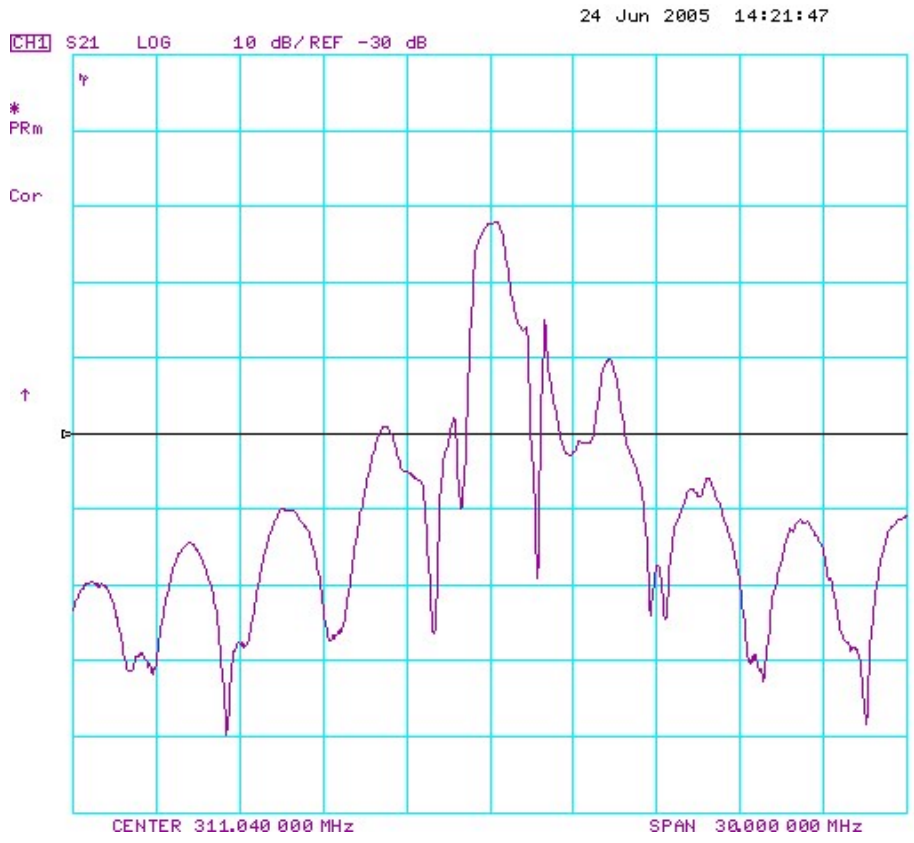
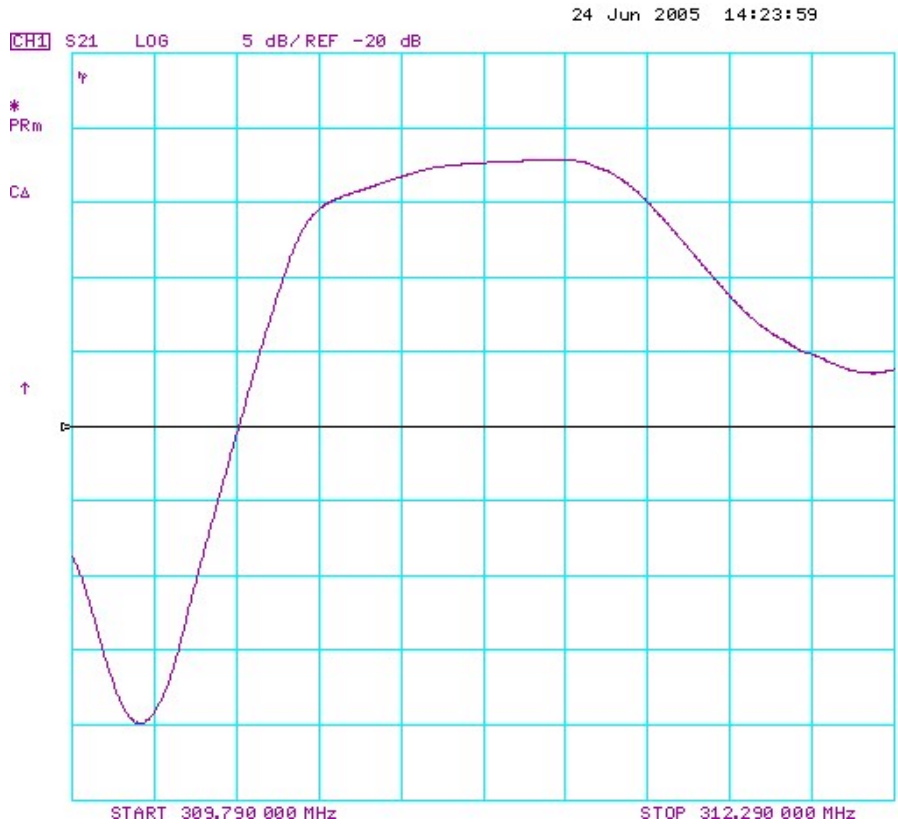
B. ELECTRICAL CHARACTERISTICS:

TA= -40°C to +85°C

Item	Min.	Typ.	Max.	Note
Center frequency F_c (MHz)	-	311.04	-	1
Minimum I.L. (310.86~311.26 MHz) (dB) IL_{min}	-	2.2	4.0	
Pass band (relative to IL_{min})				
310.81~311.24 MHz (dB)	-	1.5	3.0	1
310.75~311.3 MHz (dB)	-	2.0	6.0	
Pass bandwidth (relative to IL_{min}) BW_3 (KHz)	800	950	-	
Attenuation:(relative to IL_{min}) (dB)				
10~270 MHz (dB)	45	50	-	1
270~305 MHz (dB)	30	35	-	
305~309.89 MHz (dB)	15	20	-	
312~331 MHz (dB)	10	15	-	
331~400 MHz (dB)	35	40	-	
400~1000 MHz (dB)	45	50	-	

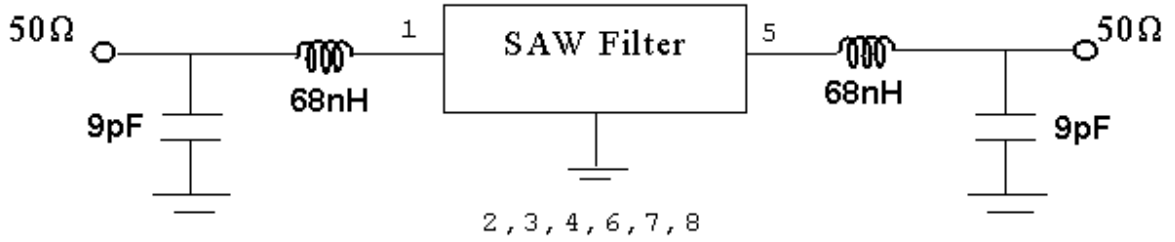
Note1. The standard definitions is in JIS C 6703

C. FREQUENCY CHARACTERISTICS:

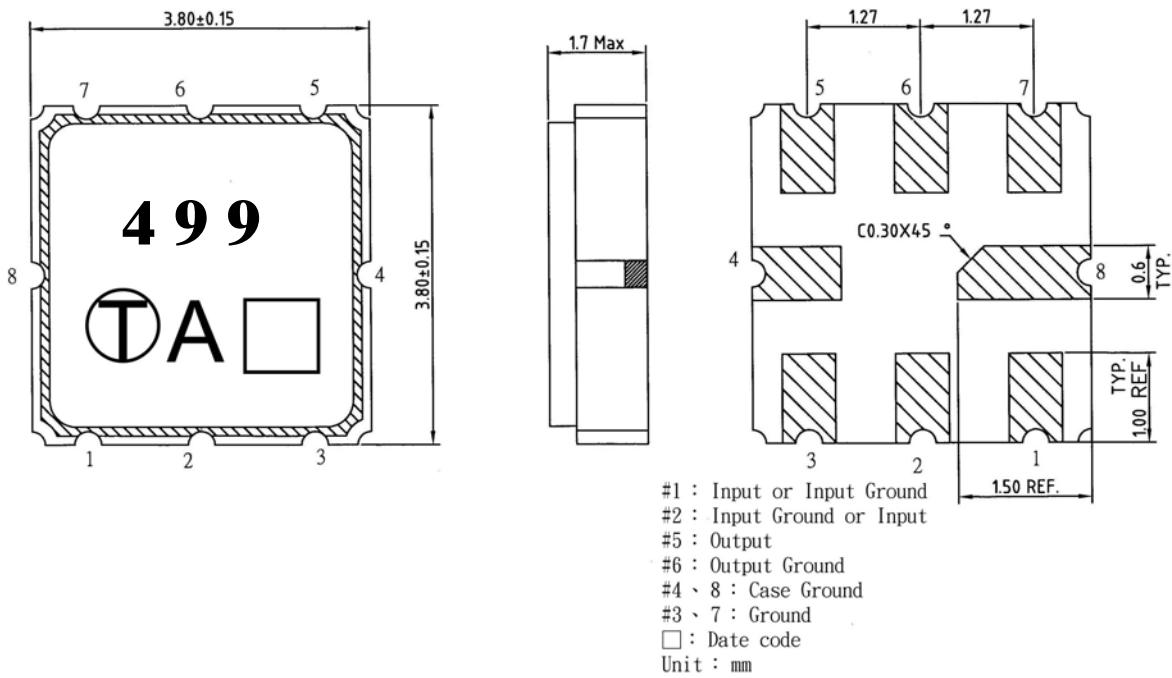


D. MEASUREMENT CIRCUIT:

HP Network analyzer

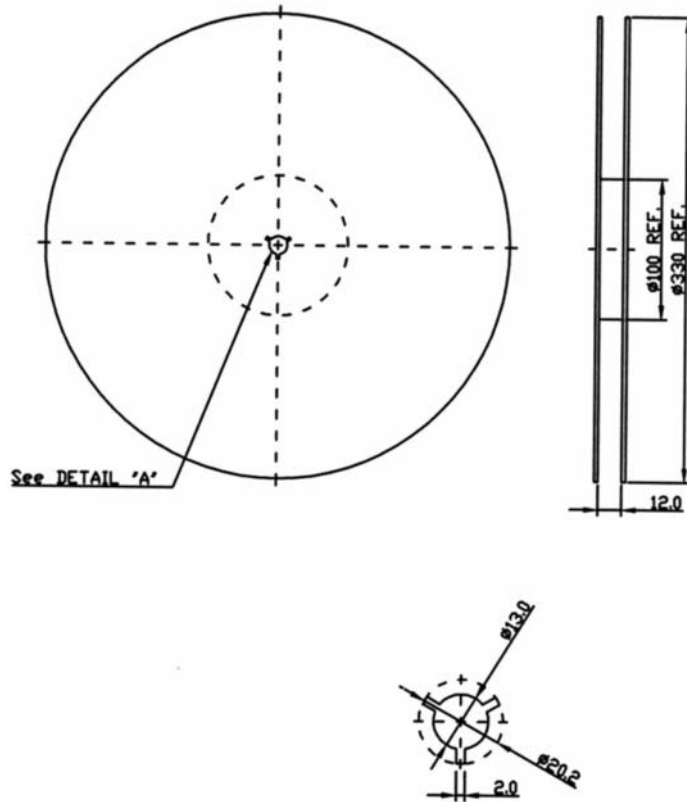


E. OUTLINE DRAWING:



F. PACKING:

1. REEL DIMENSION



2. TAPE DIMENSION

