

## Dual Junction Drop-In Circulator 2300 MHz—2400 MHz

Rev. C

### Applications

- ◆ Wireless Infrastructure
- ◆ LTE

### Features

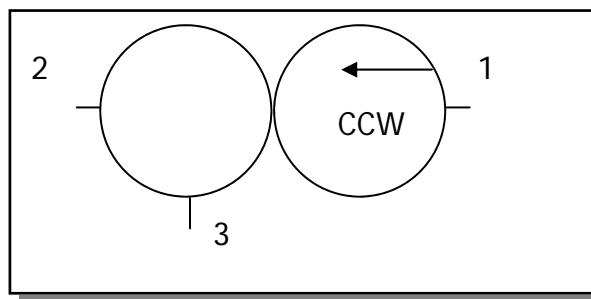
- ◆ RoHS Compliant
- ◆ BeO free

### Electrical Specifications

Parameter	Conditions	Units	Min	Typ	Max
Frequency Range		MHz	2300		2400
Impedance		$\Omega$		50	
Insertion Loss	Port 1 to port 2	dB			0.50
Insertion Loss	Port 2 to port 3	dB			0.30
Isolation	Port 3 to port 1	dB	46		
Isolation	Port 1 to port 2	dB	23		
Return Loss	Ports 1 and 2	dB	20.8		
Return Loss	Port 3	dB	19		
Third Order Intermodulation <sup>2</sup>	2 x 5W CW tones, 5MHz spacing	dBc			-65

- All specifications guaranteed over the operating temperature range unless otherwise stated.
- See Application Note ANI-001 for further details.

### Functional Block Diagram



### Pin Configuration

Terminal	Designation	Function
1	Port 1	In
2	Port 2	Out
3	Port 3	Out

### Absolute Maximum Ratings

Parameter	Conditions	Units	Min	Max
Input Power		W		1000
Reverse Power		W		500
Operating Temperature Range		$^{\circ}\text{C}$	-30	+85
Storage Temperature Range		$^{\circ}\text{C}$	-55	+125

### Application Notes Available

Application Note	Description
ANI-001	IMD Measurement of Ferrite Isolators and Circulators
ANI-003	Maximum Peak Power of Ferrite Junctions
ANI-004	Base Plate Temperature of Ferrite Isolators and Circulators
ANI-007	Reflow Soldering Guidelines
ANI-008	Curie Temperature of Isolators and Circulators
ANI-009	Tape and Reel Information for Isolators and Circulators

1

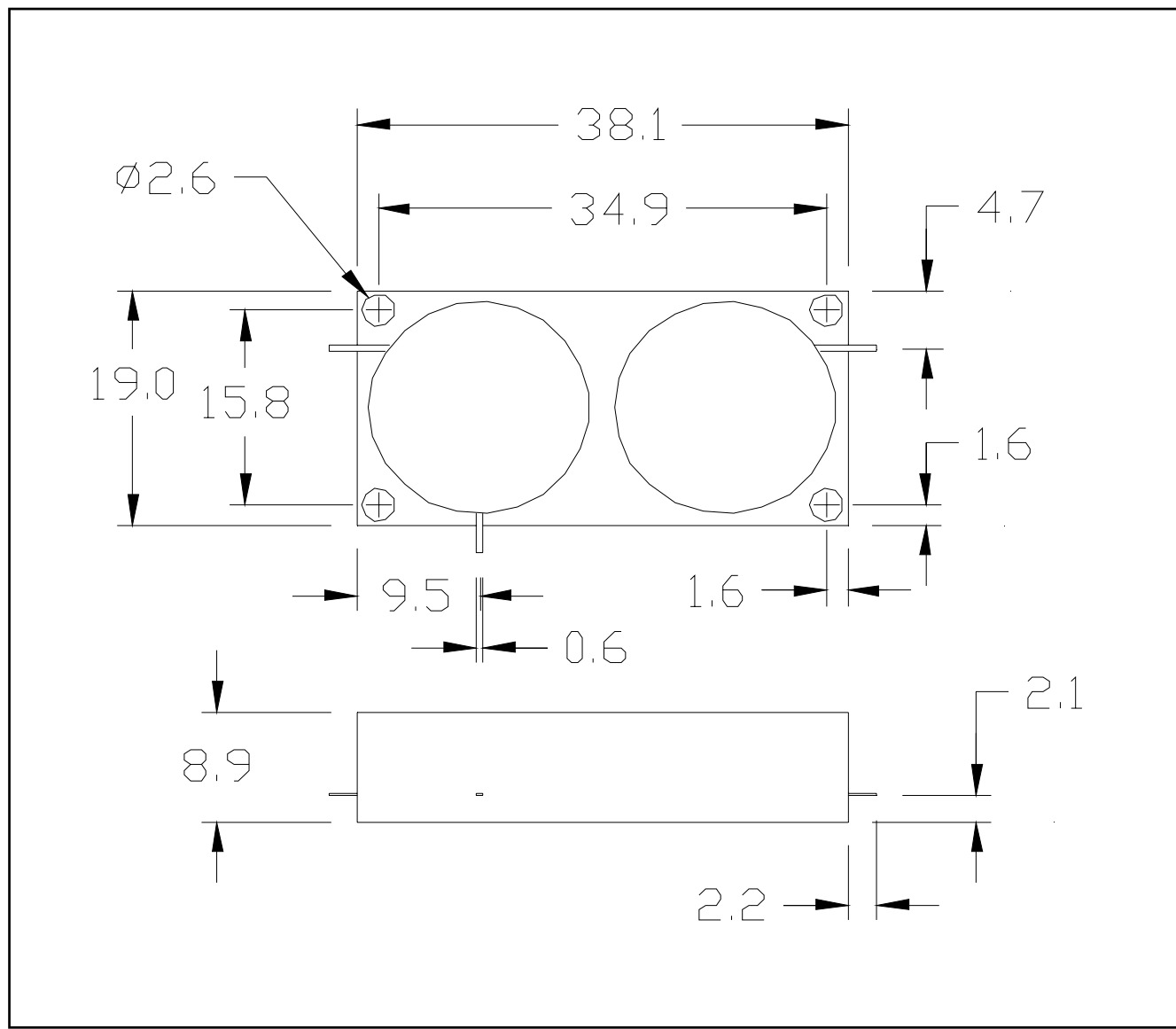
**ADVANCED:** Data Sheets contain information regarding a product M/A-COM Technology Solutions is considering for development. Performance is based on target specifications, simulated results, and/or prototype measurements. Commitment to develop is not guaranteed.

**PRELIMINARY:** Data Sheets contain information regarding a product M/A-COM Technology Solutions has under development. Performance is based on engineering tests. Specifications are typical. Mechanical outline has been fixed. Engineering samples and/or test data may be available. Commitment to produce in volume is not guaranteed.

• **North America** Tel: 800.366.2266 • **Europe** Tel: +353.21.244.6400  
 • **India** Tel: +91.80.43537383 • **China** Tel: +86.21.2407.1588  
 Visit [www.macomtech.com](http://www.macomtech.com) for additional data sheets and product information.

M/A-COM Technology Solutions Inc. and its affiliates reserve the right to make changes to the product(s) or information contained herein without notice.

## Outline Drawing



1. Dimensions in mm.
2. Tolerance:  $\pm 0.2$ mm unless otherwise noted.
3. Lead thickness is 0.12mm.
4. Model number, lot code and port designation printed on top side of unit.

### Plating

Section	Material	Plating
Leads	Copper	Silver
Housing	Steel	Nickel

### ECO History

Rev	Date	Description	By
C	23/9/2009	Update format	BH