

Features

- Broadband 50 Ohms Design Through X Band
- High Power Capacity
- Voltage Ratings to 1000V
- Fast Switching Speeds
- Hermetically Sealed Package
- RoHS Compliant

Description

This series of M/A-COM semiconductor products is hermetically sealed strip-line package PIN diode designed to drop into a 50 ohm strip-line circuit without external matching. The MA47200 series can be used as SPST reflective switches and are useful in applications from VHF through X Band. Several modules are provided with different power and switching speed capability.

This series of strip-line switch modules consist of shunt mounted passivated PIN diodes in hermetic strip-line packages. These modules are optimized for 50 ohm micro-strip and strip-line circuits. The MA47200 series modules maybe operated as a switch by applying the appropriate forward and reverse DC excitation. They can also be used as attenuators by varying the forward DC current.

Applications

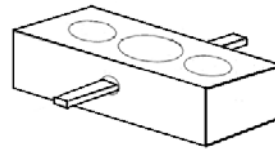
The MA47200 series of broadband shunt-mounted PIN diodes features a shunt-mounted PIN chip with an appropriate series inductance to produce a matched low pass filter structure at zero or reverse bias condition. By applying +10mA to +100mA to center conductor the diode's impedance changes to a low-impedance inductive short causing the diode to reflect RF power. The forward bias current (+10mA to +100mA) must be applied in order to achieve high isolation.

Absolute Maximum Ratings¹ @ T_A = +25°C (unless otherwise specified)

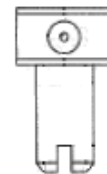
Parameter	Absolution Max.
Voltage	Voltage Rating
Operating Temperature	- 65°C to +150°C
Storage Temperature	-65°C to +175°C
Power Dissipation	P _{diss} = 150°C-T _{ambient} Thermal Resistance

1. Operation of this device above any one of these parameters may cause permanent damage.

Stripline Packages

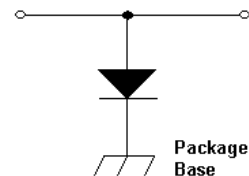


ODS-144



ODS-114

Internal Wiring Diagram



Specifications subject to change without prior notification.

ADVANCED: Data Sheets contain information regarding a product M/A-COM Technology Solutions is considering for development. Performance is based on target specifications, simulated results, and/or prototype measurements. Commitment to develop is not guaranteed.

PRELIMINARY: Data Sheets contain information regarding a product M/A-COM Technology Solutions has under development. Performance is based on engineering tests. Specifications are typical. Mechanical outline has been fixed. Engineering samples and/or test data may be available. Commitment to produce in volume is not guaranteed.

- **North America** Tel: 800.366.2266 / Fax: 978.366.2266
- **Europe** Tel: 44.1908.574.200 / Fax: 44.1908.574.300
- **Asia/Pacific** Tel: 81.44.844.8296 / Fax: 81.44.844.8298

Visit www.macomtech.com for additional data sheets and product information.

M/A-COM Technology Solutions Inc. and its affiliates reserve the right to make changes to the product(s) or information contained herein without notice.

Stripline PIN Diode Switch Modules

Rev. V3

Environmental Ratings (Per MIL-STD 750)

The following table is recommended for Group B and C testing for TX, TXV level screening.

Inspection	Method	Condition
Storage Temperature	1031	See Maximum Ratings
Operating Temperature	—	See Maximum Ratings
Temperature Cycling	1051	5 cycles - 65° to + 150°C
Shock	2016	500 g's
Vibration	2056	15 g's
Constant Acceleration	2006	20,000 g's
Humidity	1021	10 days

Screened Diodes (Per MIL-STD 750)

Suggested 100% preconditioning and screening program for TX level and TXV level screening.

Inspection	Method	Condition
Internal Visual and / or X-Ray	2072,2076	See Note 1
High Temp. Storage	1032	48 hours minimum @ max. storage temp.
Thermal Shock	1051	10 Cycles
Constant Acceleration	2006	20,000 g's, Y1
Fine Leak	1071	H
Gross Leak	1071	C or E
Electrical	—	See Note
Burn-In	1038	See Note

1. Internal Visual on TXV screening programs only. X-Ray is optional for any screening plan.
2. Conditions and details of test depend on specific model number. Information available upon request.

Specifications @ Tambient = + 25°C

Part Number ¹	Test Frequency (GHz)	Maximum Insertion Loss ³ @ V _R (dB)	Minimum Isolation @ I _F (dB)	Minimum Reverse Voltage ⁴ V _R (Volts)	Maximum Thermal Resistance (°C/W)	Nominal Switching Speed (nS)	
						RF Off to RF On	RF On to RF Off
MA47208	1	0.25@20V	30dB @ 25mA	1000	10	300	150
MA47222	8	0.50dB @0V	20dB @ 100mA	150	20	100	30
MA47223	4-8 ²	0.50dB @0V	20dB @ 100mA	500	20	150	30

1. All models have cathode heatsink
2. Swept frequency measurement
3. Maximum SWR is 1.5:1 at specified insertion loss condition.
4. Maximum reverse current is 10µA at specified voltage rating.

Specifications subject to change without prior notification.

2

ADVANCED: Data Sheets contain information regarding a product M/A-COM Technology Solutions is considering for development. Performance is based on target specifications, simulated results, and/or prototype measurements. Commitment to develop is not guaranteed.

PRELIMINARY: Data Sheets contain information regarding a product M/A-COM Technology Solutions has under development. Performance is based on engineering tests. Specifications are typical. Mechanical outline has been fixed. Engineering samples and/or test data may be available. Commitment to produce in volume is not guaranteed.

• **North America** Tel: 800.366.2266 / Fax: 978.366.2266

• **Europe** Tel: 44.1908.574.200 / Fax: 44.1908.574.300

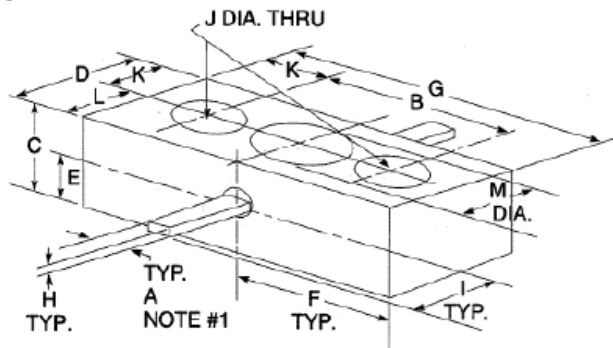
• **Asia/Pacific** Tel: 81.44.844.8296 / Fax: 81.44.844.8298

Visit www.macomtech.com for additional data sheets and product information.

M/A-COM Technology Solutions Inc. and its affiliates reserve the right to make changes to the product(s) or information contained herein without notice.

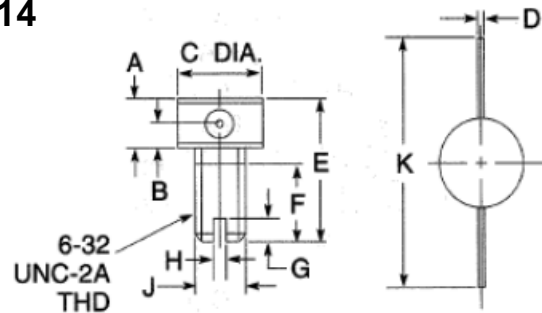
Outline Drawing

144



DIM.	INCHES		MILLIMETERS	
	MIN.	MAX.	MIN.	MAX.
A	0.022 NOMINAL		0.590 NOMINAL	
B	0.250 NOMINAL		6.350 NOMINAL	
C	0.125 NOMINAL		3.180 NOMINAL	
D	0.155	0.165	3.940	4.190
E	0.065 NOMINAL		1.65 NOMINAL	
F	0.195	0.215	4.950	5.460
G	0.405	0.415	10.290	10.540
H	0.003	—	0.070	—
I	0.120	—	3.040	—
J	0.096 NOMINAL		2.440 NOMINAL	
K	0.075	0.085	1.910	2.160
L	0.080 NOMINAL		2.030 NOMINAL	
M	0.125 NOMINAL		3.180 NOMINAL	

114



DIM.	INCHES		MILLIMETERS	
	MIN.	MAX.	MIN.	MAX.
A	0.120	0.140	3.040	3.550
B	0.058	0.072	1.470	1.820
C	—	0.255	—	6.470
D	0.011	0.013	0.270	0.330
E	0.380	0.400	9.650	10.160
F	0.205	—	5.200	—
G	0.060 NOMINAL		1.520 NOMINAL	
H	0.030 NOMINAL		0.760 NOMINAL	
J	0.1312	0.1372	3.330	3.480
K	0.670 NOMINAL		17.000 NOMINAL	

Specifications subject to change without prior notification.

3

ADVANCED: Data Sheets contain information regarding a product M/A-COM Technology Solutions is considering for development. Performance is based on target specifications, simulated results, and/or prototype measurements. Commitment to develop is not guaranteed.

PRELIMINARY: Data Sheets contain information regarding a product M/A-COM Technology Solutions has under development. Performance is based on engineering tests. Specifications are typical. Mechanical outline has been fixed. Engineering samples and/or test data may be available. Commitment to produce in volume is not guaranteed.

• **North America** Tel: 800.366.2266 / Fax: 978.366.2266

• **Europe** Tel: 44.1908.574.200 / Fax: 44.1908.574.300

• **Asia/Pacific** Tel: 81.44.844.8296 / Fax: 81.44.844.8298

Visit www.macomtech.com for additional data sheets and product information.

M/A-COM Technology Solutions Inc. and its affiliates reserve the right to make changes to the product(s) or information contained herein without notice.