

LQX12

12 mm isolated diaphragm solenoid valves

FEATURES

- 3-way universal or 2-way normally closed configurations
- EPDM or FFKM elastomer options
- 12 mm centreline spacing; ideal for manifold mounting
- Low internal unswept volume
- Secure electrical termination to standard female connectors with friction-locked (latching) electrical connection
- Manifold sub-base; option of fluid connectors on single or multiple station assemblies



MEDIA COMPATIBILITY

Liquids and gases

WETTED MATERIALS

Elastomer: EPDM or FFKM
Body/manifold: PEEK

ELECTRICAL

Power max. 2 W

Voltage 12 or 24 V_{DC} ± 5%
(other options available)

Electrical connections* 2.54 mm pitch male pins,
friction-locked design receives
standard female connector

* Options: 18" lead assembly, splash guard for wet environment

PHYSICAL PROPERTIES

Operating environment	0 to 55 °C
Storage temperature	-40 to 70 °C
Porting	manifold mount with gasket
Manifold options	1/4-28 fluid connectors available on single or multiple station manifolds
Weight	25 g
Internal volume	32 µl (to manifold interface)

PERFORMANCE CHARACTERISTICS

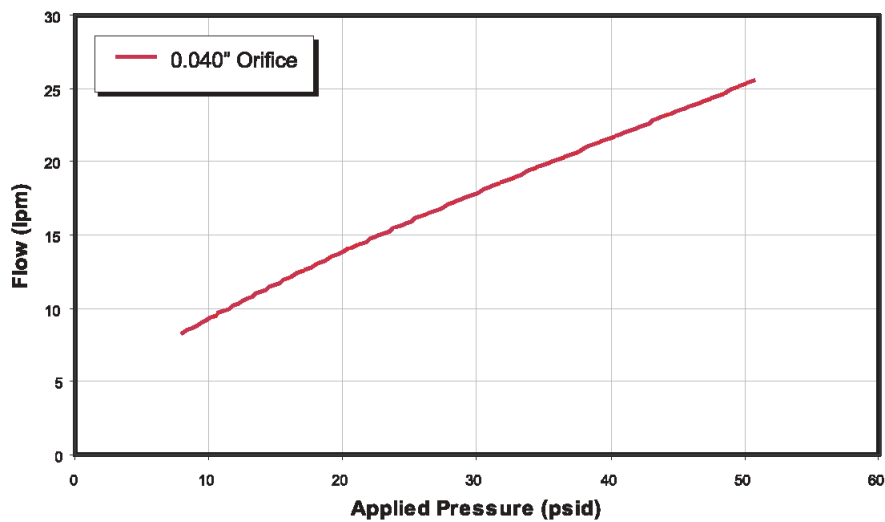
Part no.	Pressure	Minimum flow ¹	Orifice size	Leak rate ¹	Life cycles	Response
LQX12...	Vacuum...50 psig (3.5 bar)	18 lpm air @ 50 psi 500 sccm water @ 50 psi	0.040" (1.02 mm)	≤0.016 sccm (@ 50 psi air)	10 million (meeting all specifications)	<20 msec cycling

Note:

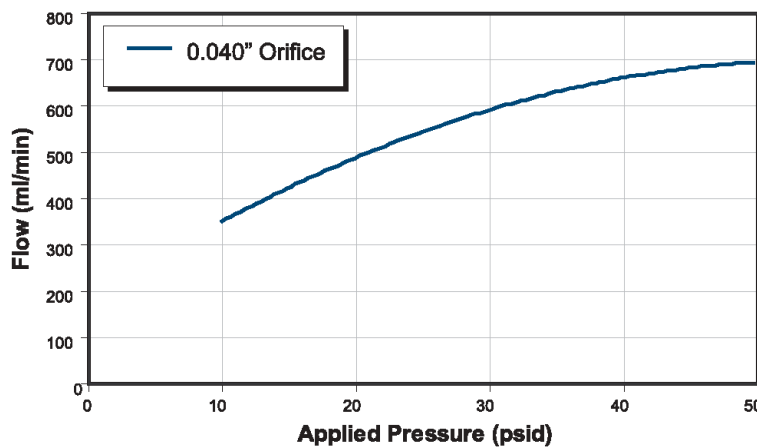
¹ sccm denotes Standard Cubic Centimeters per Minute. It is a unit for the flow rate at standard conditions of temperature and pressure.

FLOW CURVES

Typ. air flow

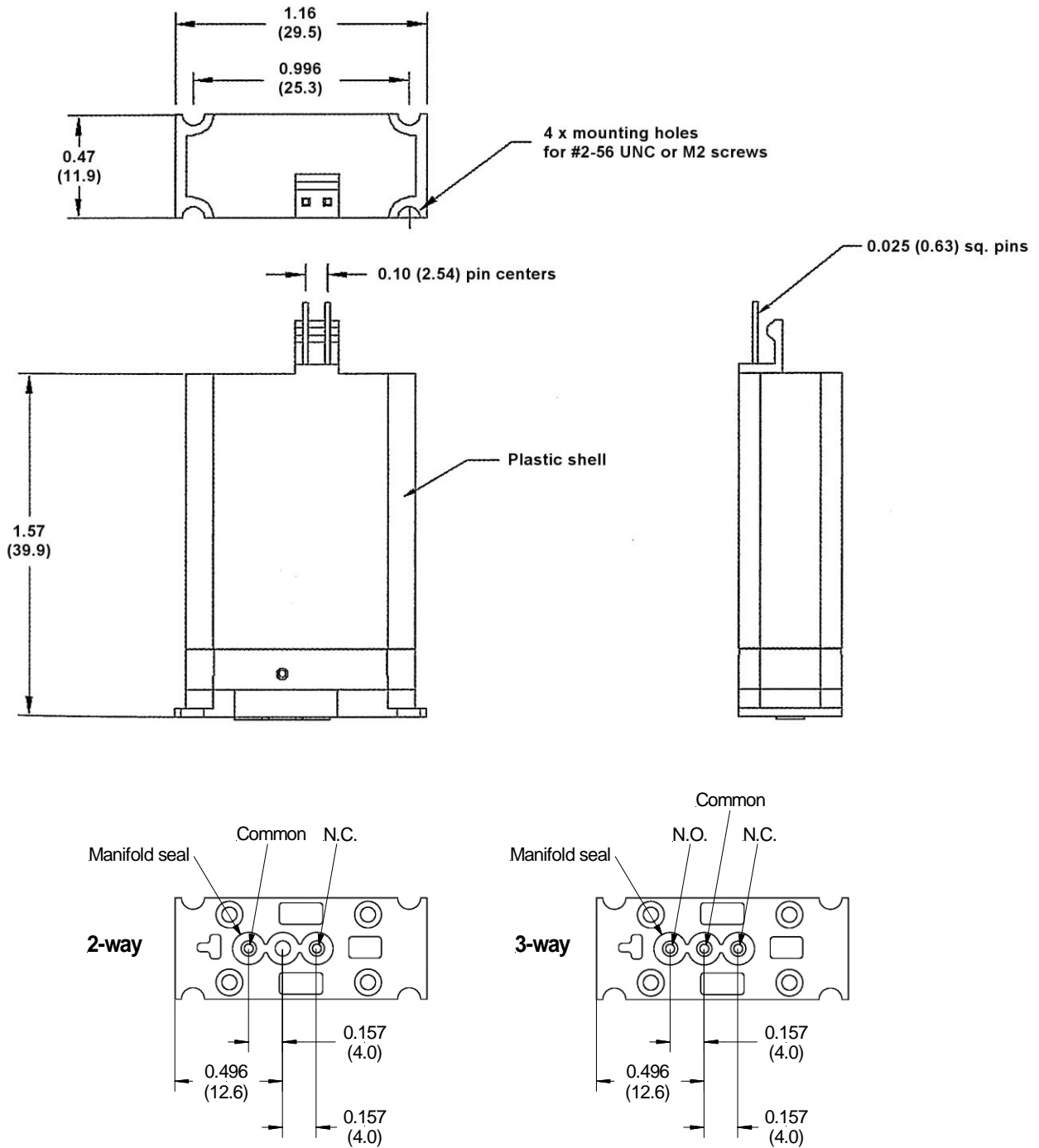


Typ. water flow



OUTLINE DRAWING

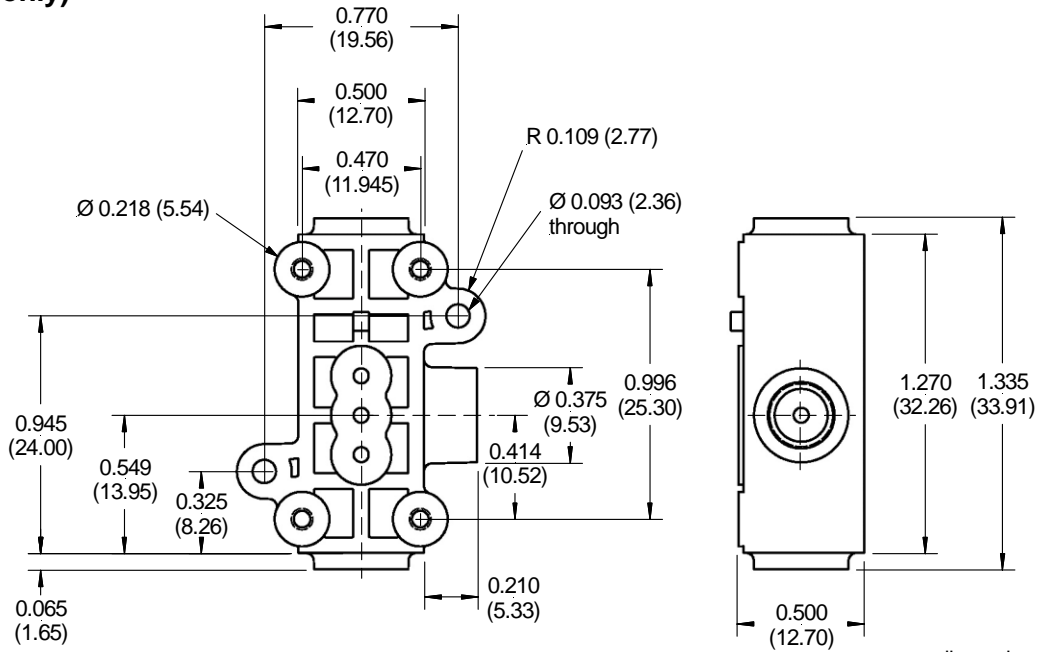
Face seal manifold sub-base option



dimensions in inches (mm)

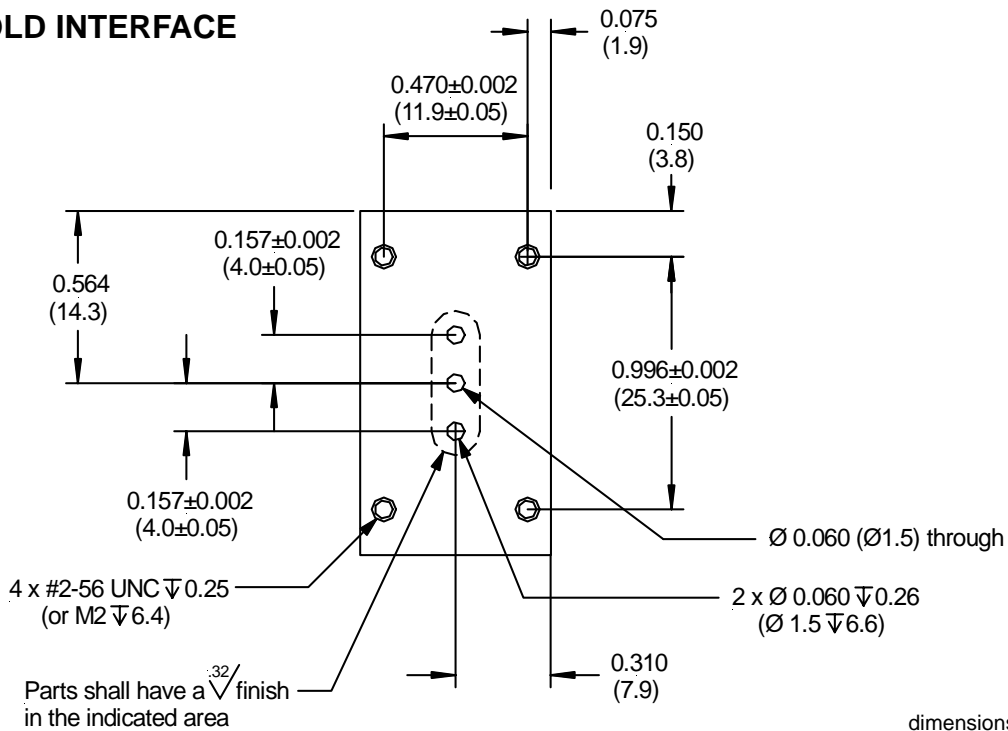
OUTLINE DRAWING (cont.)

1/4-28 fluid connector option
(3-way only)



dimensions in inches (mm)

MANIFOLD INTERFACE



dimensions in inches (mm)

LQX12

12 mm isolated diaphragm solenoid valves

ORDERING INFORMATION

Options	Series	Configuration		Voltage		Elastomer		Mounting style		Electrical connection	
		LQX12	2W	2-way N.C.	12	12 V _{DC}	FF	FFKM	FS	face seal	000
		3W	3-way	24	24 V _{DC}	EP	EPDM	48	1/4-28 ports (3-way only)		
Example: LQX12 3W 12 FF FS 000											

Note: Not all combinations might be available.
Please contact your nearest Sensortechincs sales representative for further information.

Please order separately free of charge:

Order No.	Description
LQX-0001-290-001	18 inch lead wire assembly

Sensortechincs reserves the right to make changes to any products herein. Sensortechincs does not assume any liability arising out of the application or use of any product or circuit described herein, neither does it convey any license under its patent rights nor the rights of others.