

ELLS-405LWA

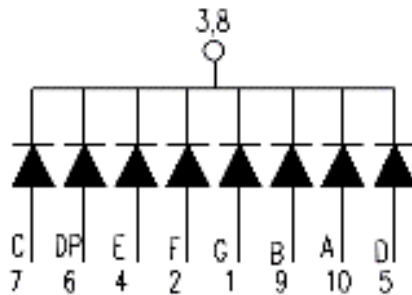
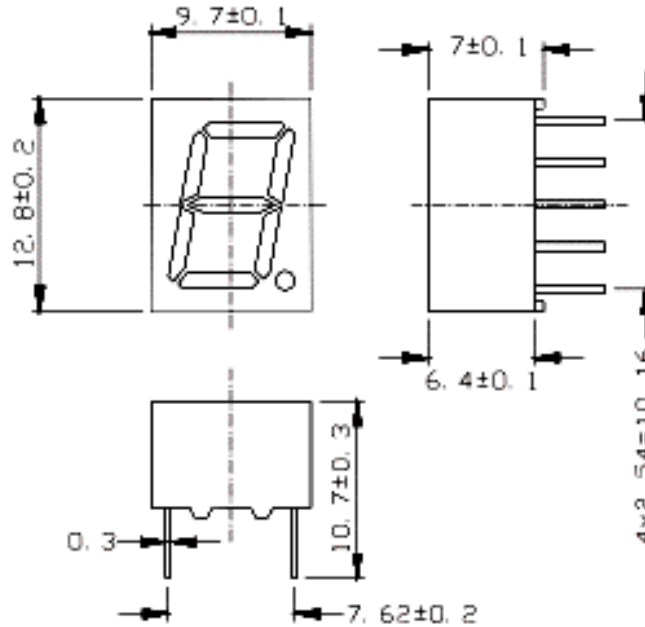
Page 1 of 2



The ELLS-405 series is a large 10.00 mm (0.39") high seven segment display designed for viewing distances up to 7 meters.



RoHS Compliant
Aug 2004



INTERNAL CONNECTION DIAGRAM

- 1 ANODE G
- 2 ANODE F
- 3 COMMON CATHODE
- 4 ANODE E
- 5 ANODE D
- 6 ANODE DP
- 7 ANODE C
- 8 COMMON CATHODE
- 9 ANODE B
- 10 ANODE A

PART NO.	Chip		Face Color
	Material	Emitted Color	
ELLS-405LWA	GaAsP/GaP	Orange	Gray

* Specifications subject to change without notice. Dimensions are in mm ±0.25 unless stated otherwise.



Absolute Maximum Ratings at $T_a = 25\text{ }^\circ\text{C}$

Parameter	Symbol	Rating	Units
Forward Current	I_F	15	mA
Operating Temperature	T_{opr}	-40 to +85	$^\circ\text{C}$
Storage Temperature	T_{stg}	-40 to +100	$^\circ\text{C}$
Soldering Temperature	T_{sol}	260 (for ≤ 5 sec)	$^\circ\text{C}$
Power Dissipation	P_d	40	mW
Pulse Forward Current (Pulse Width ≤ 10 msec and Duty $\leq 1/10$)	I_{FP}	70	mA
Reverse Voltage	V_R	5	V

Electronic Optical Characteristics

Parameter		Symbol	Min.	Typ.	Max.	Units	Condition
Luminous Intensity	Per segment	I_v	0.18	0.90	—	mcd	$I_F = 10\text{ mA}$
	Per decimal point		—	—	—		
Peak Wavelength		λ_p	—	635	—	nm	$I_F = 20\text{ mA}$
Dominant Wavelength		λ_d	—	625	—	nm	$I_F = 20\text{ mA}$
Spectrum Radiation Bandwidth		$\Delta\lambda$	—	45	—	nm	$I_F = 20\text{ mA}$
Forward Voltage		V_F	—	3.0	—	V	$I_F = 20\text{ mA}$
Reverse Current		I_R	—		10	μA	$V_R = 5\text{ V}$

* Specifications subject to change without notice. Dimensions are in mm ± 0.25 unless stated otherwise.