

**P/N: 24ST0023C-3 DATA SHEET****Feature**

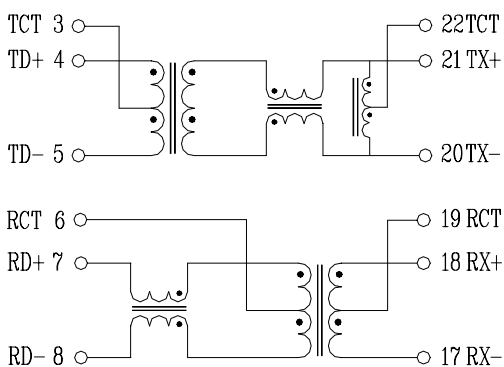
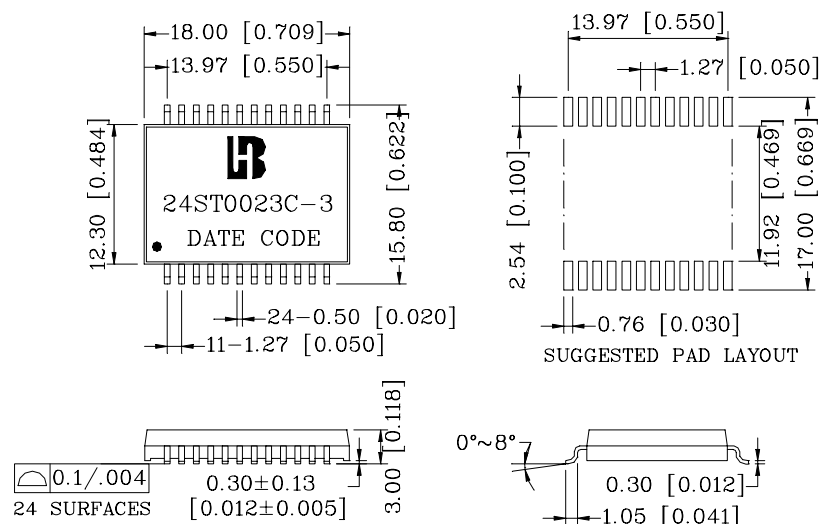
- Half port and single port designs for maximum layout flexibility.
- Compatible with Intel, TDK, QSI, and ICS.
- 24-PIN SMD package, pick and place compatible.
- Operating temperature range: 0°C to +70°C.
- Storage temperature range: -25°C to +125°C.

Electrical Specifications @ 25°C

Part Number	Turns Ratio (±5%)		Return Loss (dB Min)			Insertion Loss (dB Max)	HI-POT (Vrms)
	TX	RX	30MHz	60MHz	80MHz	0.3-100 MHz	
24ST0023C-3	1CT:1	1CT:1CT	-18	-14	-12	-2.0	1500

Continue

Part Number	Cross talk (dB Min)			DCMR (dB Min) TX/RX			
	30MHz	62MHz	100MHz	30MHz	50MHz	100MHz	150MHz
24ST0023C-3	-50	-45	-40	-40	-35	-30	-20

Schematic**Mechanical**

Units: mm [Inches] Tolerance: xx.x0±0.25 [0.010]
0.xx±0.05 [0.002]