

IEC Appliance Inlet C20 with Circuit Breaker



C20
70° C



Description

Appliance Inlet,
- We recommend for new applications the new type 6136

References

General Product Information

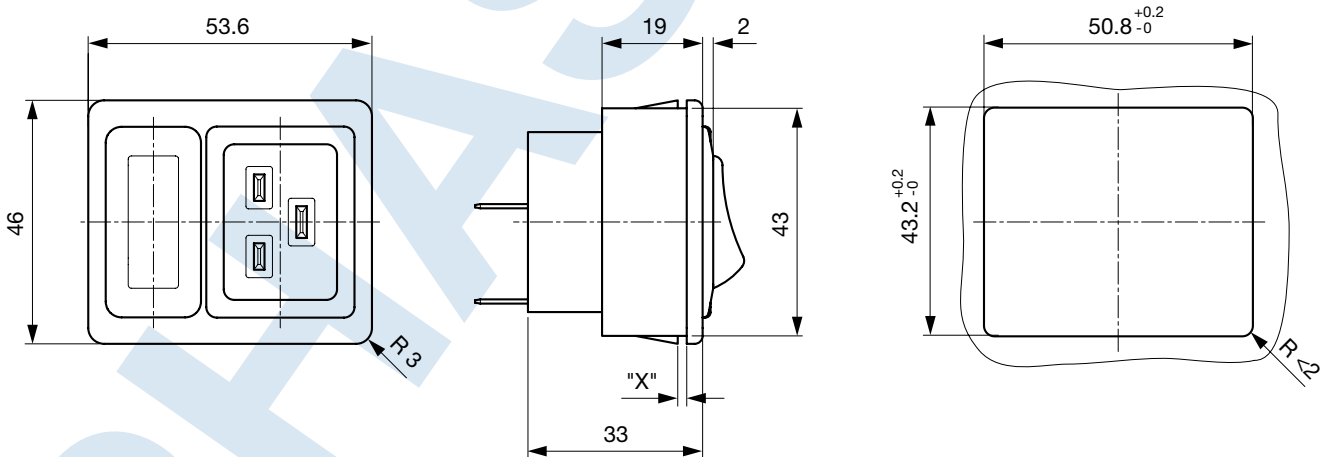
Weblinks

Approvals, RoHS, CHINA-RoHS, Mating Connectors, e-Store, Distributor-Stock-Check, Accessories

Technical Data

Ratings IEC	16A / 250VAC; 50Hz	Appliance Inlet	C20 acc. to IEC/EN 60320-1 UL 498, CSA C22.2 no. 42 (for cold conditions) pin-temperature 70 °C, 16A, Protection Class 1
Ratings UL/CSA	21A / 250VAC; 60Hz		
Allowable Operation Temp.	-25 °C to 85 °C		
Degree of Protection	from front side IP 20 acc. to IEC 60529		
Protection Class	Suitable for appliances with protection class 1 acc. to IEC 61140		
Terminal	Quick connect terminals 6.3 x 0.8 mm		
Panel Thickness s	Screw Mounting screw torque max 0Nm Snap-in 1 mm		
Material: Housing	Thermoplastic, black, UL 94V-0		

Dimensions



length of the terminal please find at the order code configuration table
Dimension "X" please ref. to table order code

Config. Code

Product Configurator

1624-K - H - A B C N - D - E G O P - I

The characters are placeholders for the correspondingly keys of selections from the key tables.

1624-K - H - A B C N - D - E G O P - I = Type

Type	Configuration key
combination frame	K

1624-K - H - A B C N - D - E G O P - I = Terminals

Terminal L	Configuration key
short solder terminal (L=4,8mm)	2
long solder terminal (L=8,5mm)	3
blade terminal (2,8x0,8mm)	7
blade terminal (4,8x0,8mm)	8
blade terminal (6,3x0,8mm)	9



1624-K - H - A B C N - D - E G O P - I = Terminals

Terminal N	Configuration key
short solder terminal (L=4,8mm)	2
long solder terminal (L=8,5mm)	3
blade terminal (2,8x0,8mm)	7
blade terminal (4,8x0,8mm)	8
blade terminal (6,3x0,8mm)	9

Symbols similar as in table A

1624-K - H - A B C N - D - E G O P - I = Terminals

Terminal Ground	Configuration key
short solder terminal (L=4,8mm)	2
long solder terminal (L=8,5mm)	3
blade terminal (2,8x0,8mm)	7
blade terminal (4,8x0,8mm)	8
blade terminal (6,3x0,8mm)	9

Symbols similar as in table A

1624-K - H - A B C N - D - E G O P - I = Terminal Fuseholder

Terminal Fuseholder	Configuration key
without terminal	0

1624-K - H - A B C N - D - E G O P - I = Color

Color	Configuration key
jet black; RAL9005	A
silver grey; RAL7001	B
pure white; RAL9010	D
standard color: black	

1624-K - H - A B C N - D - E G O P - I = Style

Style	Configuration key
snap-in (x=panel thickness)	4

1624-K - H - A B C N - D - E G O P - I = Dimension X

Dimension "X"	Configuration key
15	
25	
The dimension "X" is displayed in (1/10 mm). This information is also valid for the order code	

1624-K - H - A B C N - D - E G O P - I = Features

Features	Configuration key
thermal circuit breaker for rated current 4A	A
thermal circuit breaker for rated current 6A	B
thermal circuit breaker for rated current 8A	C
thermal circuit breaker for rated current 10A	D
thermal circuit breaker for rated current 15A	E
thermal circuit breaker for rated current 20A	F

1624-K - H - A B C N - D - E G O P - I = Latching Action Switch

Latching Action Switch	Configuration key

1624-K - H - A B C N - D - E G O P - I = Circuit breaker

Circuit breaker	Configuration key
unipolar switch, single pole fuse, 6,3mm blade terminals, black rocker	A
unipolar switch, single pole fuse, 6,3mm blade terminals, rocker red illuminated	B
unipolar switch, single pole fuse, 6,3mm blade terminals, rocker green illuminated	C

Variants

Config. Code	Description	Order Number
1624-K-K-9990-A-415-E-A	1624-K, IEC Power Entry Module C20, 70°C, , version: 1, L: blade terminal (6,3x0,8mm), N: blade terminal (6,3x0,8mm), ground: blade terminal (6,3x0,8mm), color: jet black; RAL9005, design: snap-in (x=panel thickness), dimension X: 15, features: thermal circuit breaker for rated current 15A, features: unipolar switch, single pole fuse, 6,3mm blade terminals, black rocker	4304.6043

The listed variants should be available from stock Other versions on request www.schurter.com/contact

Packaging unit 50 Pcs

Mating Outlets/Connectors

Category / Description

Connector Overview complete



IEC Connector C19, Rewireable, Straight	0104
IEC Connector C19, Rewireable, Angled	1651
IEC Connector C19, Rewireable, Straight	1652
IEC Connector C19, Rewireable, Angled	4790
IEC Connector C19, Rewireable, Straight	4795

[Connector further types to 1624-K](#)



Power Cord Overview complete

Power Cord with IEC Connector C19, Straight	1654
---------------------------------------------	------

[Power Cord further types to 1624-K](#)

Power Supply or Interconnection Cord Overview complete

Divers Power Supply and Interconnection Cords 16 A	Kabelverbindung/16 A
----------------------------------------------------	----------------------

[Power Supply or Interconnection Cord further types to 1624-K](#)